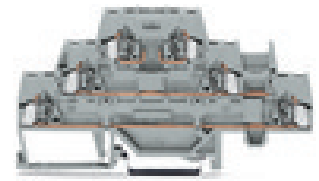


## Triple-deck terminal block; through/through/carrier terminal block for fuse plugs

Item No.: 280-889



Triple-deck terminal block; through/through/carrier terminal block for fuse plugs

### Marking

RoHS ✓  
Compliant

### Business data

Supplier	WAGO
Item no.	280-889
EAN	4044918539081
Content	1
Order amount	50
Customer item number	

### Notes

### Technical data

#### Miscellaneous

Total number of connection points	6
Total number of potentials	3
Number of levels	3
Color	gray/gray/gray
Pollution degree (1)	3
Rated voltage EN (1) [V]	400 [V]
Rated surge voltage (1) [kV]	6 [kV]
Nominal current [A]	20 [A]
Nominal current (2) [A]	20 [A]

<b>Technical data</b>	
Connection technology (1)	CAGE CLAMP®
Cross section from (1) [mm <sup>2</sup> ]	0.08 [mm <sup>2</sup> ]
Cross section up to (1) [mm <sup>2</sup> ]	2.5 [mm <sup>2</sup> ]
Cross section from (1) [AWG]	28 [AWG]
Cross section up to (1) [AWG]	12 [AWG]
Stripped length from (1) [mm]	8 [mm]
Stripped length up to (1) [mm]	9 [mm]
Stripped length (1) [in]	0.33 [in]
Type of wiring	Front-entry wiring
Design	horizontal
Marking level	without marking level
Fire load [MJ]	0.273 [MJ]
Weight [g]	18.4 [g]
Width [mm]	5 [mm]
Width [in]	0.197 [in]
Height [mm]	49.5 [mm]
Height [in]	1.949 [in]
Length [mm]	103 [mm]
Length [in]	4.055 [in]
Type of mounting	DIN 35 rail

### Accessories

<i>Insulation stop</i>		
Item no.	Description	Pack. unit (Sub Pack)
280-470	Insulation stop; 0.08 - 0.2 mm <sup>2</sup> "s" (0.14 mm <sup>2</sup> "f-st"); 5 pieces/strip	25
280-471	Insulation stop; 0.25 - 0.5 mm <sup>2</sup> ; 5 pieces/strip	25
280-472	Insulation stop; 0.75 - 1 mm <sup>2</sup> ; 5 pieces/strip	25

**Accessories**

*Push-in type wire jumper*

Item no.	Description	Pack. unit (Sub Pack)
210-103	Wire commoning chain; insulated; 50 connections	1
210-123	Wire commoning chain; insulated; 50 connections	1
249-123	Push-in type wire jumper; insulated; wire length 180 mm; Conductor cross section 0.75 mm <sup>2</sup>	10
249-125	Push-in type wire jumper; insulated; wire length 60 mm; Conductor cross section 0.75 mm <sup>2</sup>	10
249-126	Push-in type wire jumper; insulated; wire length 110 mm; Conductor cross section 0.75 mm <sup>2</sup>	10
249-127	Push-in type wire jumper; insulated; wire length 250 mm; Conductor cross section 0.75 mm <sup>2</sup>	10
709-110	Wire commoning chain; insulated; 4 connections; 3 x 110 mm	1
709-111	Wire commoning chain; insulated; 3 connections; 2 x 120 mm	1
709-112	Wire commoning chain; insulated; 3 connections; 2 x 170 mm	1

## Accessories

### Jumper

Item no.	Description	Pack. unit (Sub Pack)
280-402	Adjacent jumper; insulated; IN = IN terminal block	25
280-409	Alternate jumper; insulated; IN = IN terminal block	25
280-482	Comb-style jumper bar; insulated; 2-way; IN = IN terminal block	25
280-483	Comb-style jumper bar; insulated; 3-way; IN = IN terminal block	25
280-484	Comb-style jumper bar; insulated; 4-way; IN = IN terminal block	25
280-485	Comb-style jumper bar; insulated; 5-way; IN = IN terminal block	25
280-490	Comb-style jumper bar; insulated; 10-way; IN = IN terminal block	25
280-492	Alternate comb-style jumper bar; insulated; 2-way; IN = IN terminal block	25
281-402	Adjacent jumper; insulated; IN = IN terminal block; Nominal current 32 A	25
281-421	Vertical jumper; insulated; nominal current 24 A	25
780-452	Staggered jumper; insulated; from 1 to 2; Spacing: 5 mm; suitable for 2-conductor female plugs	25
780-453	Staggered jumper; insulated; from 1 to 3; Spacing: 5 mm; suitable for 2-conductor female plugs	25
780-454	Staggered jumper; insulated; from 1 to 4; Spacing: 5 mm; suitable for 2-conductor female plugs	25
780-455	Staggered jumper; insulated; from 1 to 5; Spacing: 5 mm; suitable for 2-conductor female plugs	25
780-456	Staggered jumper; insulated; from 1 to 6; Spacing: 5 mm; suitable for 2-conductor female plugs	25
780-457	Staggered jumper; insulated; from 1 to 7; Spacing: 5 mm; suitable for 2-conductor female plugs	25
780-458	Staggered jumper; insulated; from 1 to 8; Spacing: 5 mm; suitable for 2-conductor female plugs	25

### End plate

Item no.	Description	Pack. unit (Sub Pack)
209-192	Separator for Ex e/Ex i applications; 3 mm thick; 125.5 mm wide	25
280-303	End and intermediate plate; 2.5 mm thick	25
280-304	End and intermediate plate; 2.5 mm thick	25
280-336	Intermediate plate; 1.1 mm thick	25

**Accessories**

*Carrier rail*

Item no.	Description	Pack. unit (Sub Pack)
210-112	Steel carrier rail; 35 x 7.5 mm; 1 mm thick; 2 m long; slotted; according to en 60715; "Hole width 25 mm	1
210-113	Steel carrier rail; 35 x 7.5 mm; 1 mm thick; 2 m long; unslotted; according to en 60715	1
210-114	Steel carrier rail; 35 x 15 mm; 1.5 mm thick; 2 m long; unslotted; according to en 60715	1
210-115	Steel carrier rail; 35 x 7.5 mm; 1 mm thick; 2 m long; slotted; according to en 60715; "Hole width 18 mm	1
210-118	Steel carrier rail; 35 x 15 mm; 2.3 mm thick; 2 m long; unslotted; according to en 60715	1
210-196	Aluminum carrier rail; 35 x 8.2 mm; 1.6 mm thick; 2 m long; unslotted; according to en 60715	1
210-197	Steel carrier rail; 35 x 15 mm; 1.5 mm thick; 2 m long; slotted; according to en 60715	1
210-198	Copper carrier rail; 35 x 15 mm; 2.3 mm thick; 2 m long; unslotted; according to en 60715	1
210-504	Steel carrier rail; 35 x 7.5 mm; 1 mm thick; 2 m long; slotted; galvanized; according to EN 60715	1
210-505	Steel carrier rail; 35 x 7.5 mm; 1 mm thick; 2 m long; unslotted; galvanized; according to EN 60715	1
210-506	Steel carrier rail; 35 x 15 mm; 1.5 mm thick; 2 m long; unslotted; galvanized; ähnlich EN 60715	1
210-508	Steel carrier rail; 35 x 15 mm; 1.5 mm thick; 2 m long; slotted; galvanized; ähnlich EN 60715	1

**Accessories**

*Marking accessories*

Item no.	Description	Pack. unit (Sub Pack)
209-501	WSB quick marking system; plain; for terminal block width 5 - 17.5 mm; 10 strips with 10 markers per card	5
209-501/000-002	WSB quick marking system; plain; for terminal block width 5 - 17.5 mm; 10 strips with 10 markers per card	5
209-501/000-005	WSB quick marking system; plain; for terminal block width 5 - 17.5 mm; 10 strips with 10 markers per card	5
209-501/000-006	WSB quick marking system; plain; for terminal block width 5 - 17.5 mm; 10 strips with 10 markers per card	5
209-501/000-007	WSB quick marking system; plain; for terminal block width 5 - 17.5 mm; 10 strips with 10 markers per card	5
209-501/000-012	WSB quick marking system; plain; for terminal block width 5 - 17.5 mm; 10 strips with 10 markers per card	5
209-501/000-017	WSB quick marking system; plain; for terminal block width 5 - 17.5 mm; 10 strips with 10 markers per card	5
209-501/000-023	WSB quick marking system; plain; for terminal block width 5 - 17.5 mm; 10 strips with 10 markers per card	5
209-501/000-024	WSB quick marking system; plain; for terminal block width 5 - 17.5 mm; 10 strips with 10 markers per card	5
793-501	WMB Multi marking system; plain; for terminal block width 5 - 17.5 mm; 10 strips with 10 markers per card	5
793-501/000-002	WMB Multi marking system; plain; for terminal block width 5 - 17.5 mm; 10 strips with 10 markers per card	5
793-501/000-005	WMB Multi marking system; plain; for terminal block width 5 - 17.5 mm; 10 strips with 10 markers per card	5
793-501/000-006	WMB Multi marking system; plain; for terminal block width 5 - 17.5 mm; 10 strips with 10 markers per card	5
793-501/000-007	WMB Multi marking system; plain; for terminal block width 5 - 17.5 mm; 10 strips with 10 markers per card	5
793-501/000-012	WMB Multi marking system; plain; for terminal block width 5 - 17.5 mm; 10 strips with 10 markers per card	5
793-501/000-017	WMB Multi marking system; plain; for terminal block width 5 - 17.5 mm; 10 strips with 10 markers per card	5
793-501/000-023	WMB Multi marking system; plain; for terminal block width 5 - 17.5 mm; 10 strips with 10 markers per card	5

**Accessories**

793-501/000-024	WMB Multi marking system; plain; for terminal block width 5 - 17.5 mm; 10 strips with 10 markers per card	5
793-5501	WMB Multi marking system; plain; for terminal block width 5 - 17.5 mm; stretchable 5 - 5.2 mm; 10 strips with 10 markers per card	5
793-5501/000-002	WMB Multi marking system; plain; for terminal block width 5 - 17.5 mm; stretchable 5 - 5.2 mm; 10 strips with 10 markers per card	5
793-5501/000-005	WMB Multi marking system; plain; for terminal block width 5 - 17.5 mm; stretchable 5 - 5.2 mm; 10 strips with 10 markers per card	5
793-5501/000-006	WMB Multi marking system; plain; for terminal block width 5 - 17.5 mm; stretchable 5 - 5.2 mm; 10 strips with 10 markers per card	5
793-5501/000-007	WMB Multi marking system; plain; for terminal block width 5 - 17.5 mm; stretchable 5 - 5.2 mm; 10 strips with 10 markers per card	5
793-5501/000-012	WMB Multi marking system; plain; for terminal block width 5 - 17.5 mm; stretchable 5 - 5.2 mm; 10 strips with 10 markers per card	5
793-5501/000-017	WMB Multi marking system; plain; for terminal block width 5 - 17.5 mm; stretchable 5 - 5.2 mm; 10 strips with 10 markers per card	5
793-5501/000-023	WMB Multi marking system; plain; for terminal block width 5 - 17.5 mm; stretchable 5 - 5.2 mm; 10 strips with 10 markers per card	5
793-5501/000-024	WMB Multi marking system; plain; for terminal block width 5 - 17.5 mm; stretchable 5 - 5.2 mm; 10 strips with 10 markers per card	5

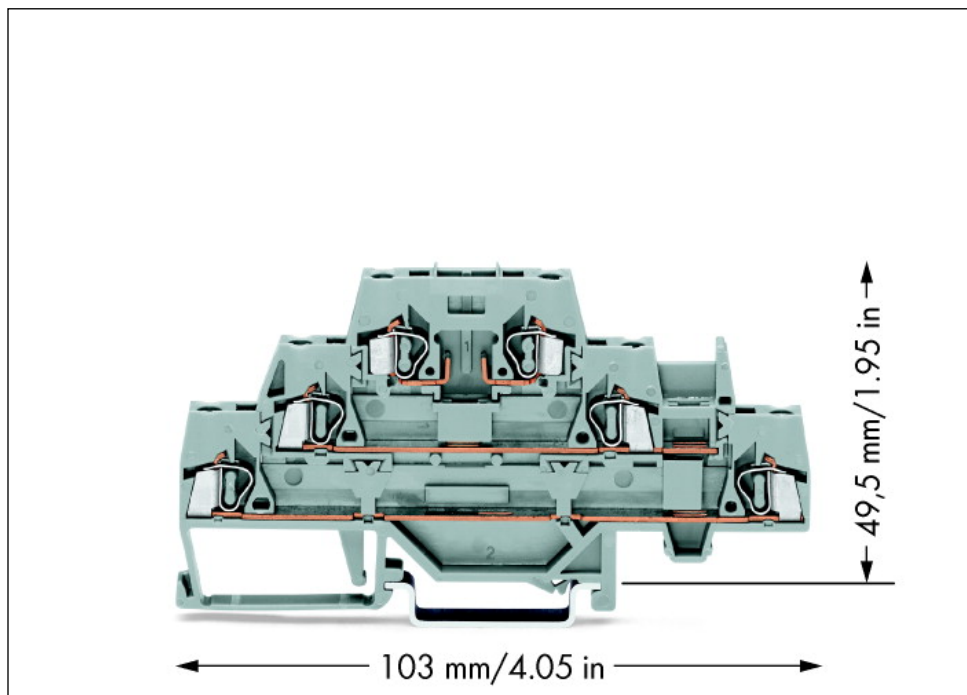
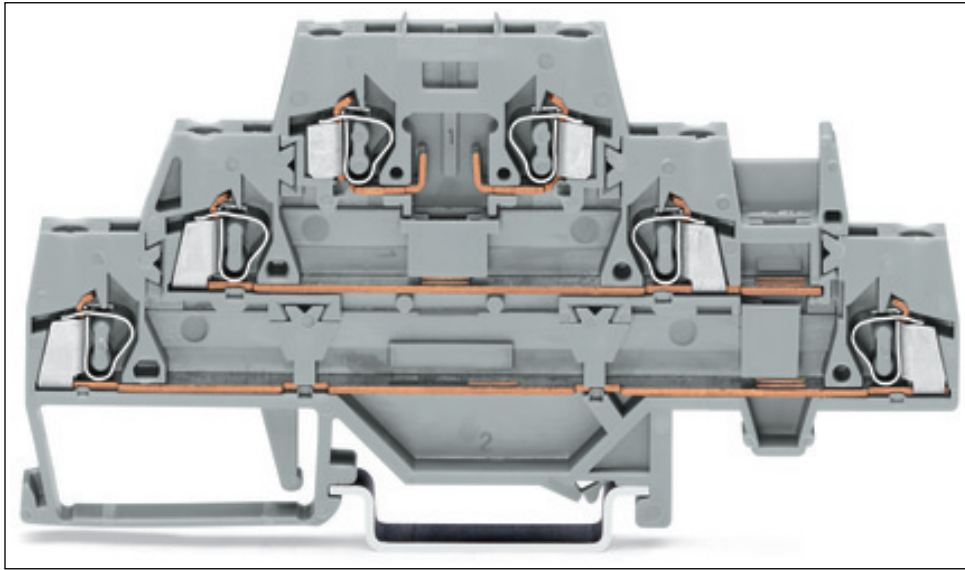
## Accessories

### General accessory

Item no.	Description	Pack. unit (Sub Pack)
209-100	Collective carrier for adjacent jumpers; suitable for 279 to 284 Series adjacent jumpers, 215 Series banana plugs	25
209-106	Mounting carrier; for isolated mounting on DIN 35 rails	25
209-130	Operating tool; suitable for 264, 280 and 281 Series; 1-way; of insulating material	1
209-196	Spare fixing/retaining screw; for cover	25
210-292	Stickers for operating instructions; for double- and triple-deck terminal blocks; 280 and 281 Series	100
210-549	Spare knurled nut; for cover	25
210-657	Operating tool with partially insulated shaft; blade (3.5 x 0.5) mm; short; suitable for 260, 261, 262, 264, 270, 280, 281, 869, 870 and 880 Series	1
210-658	Operating tool with partially insulated shaft; blade (3.5 x 0.5) mm; short; angled; particularly suitable for 280 Series actuator and sensor terminal blocks and also for Series 260, 261, 262, 264, 280, 281, 869, 870, 880, 2002,	1
210-720	Operating tool with partially insulated shaft; Type 2, blade (3.5 x 0.5) mm; suitable for 260, 261, 262, 264, 270, 280, 281, 290, 775, 776, 777, 769, 780, 781, 869, 870, 880, 2002, 2003, 2004, 2005 and 2022 Series	1
231-155	Testing plug module with contact stud; for 280, 736, 737, 738, 780 series; pin spacing 5 mm / 0.197 in; CAGE CLAMP@CONNECTION	100
249-130	Syringe; Contents: 20 ml Alu-Plus contact paste	5
249-141	L-type test plug module; modular; with spring-loaded contact pin; center module	25
249-142	L-type end module; modular; with rigid contact pin; end module	25
249-143	L-type spacer module; modular; e.g., bridging commoned terminal blocks	25
280-432	Operating tool; of insulating material; 2-way	1
280-433	Operating tool; of insulating material; 3-way	1
280-434	Operating tool; of insulating material; 4-way	1
280-435	Operating tool; of insulating material; 5-way	1
280-436	Operating tool; of insulating material; 6-way	1
280-437	Operating tool; of insulating material; 7-way	1
280-438	Operating tool; of insulating material; 8-way	1
280-439	Operating tool; of insulating material; 9-way	1
280-440	Operating tool; of insulating material; 10-way	1
280-850	Fuse plug; 5 mm wide; with soldered miniature fuse; 250 mA FF	100

Accessories		
280-850/281-413	Fuse plug; 5 mm wide; with soldered miniature fuse; with additional indicator lamp; red LED; DC 15 - 30 V; 250 mA FF	100
280-850/281-414	Fuse plug; 5 mm wide; with soldered miniature fuse; with additional indicator lamp; red LED; DC 30 - 65 V; 250 mA FF	100
280-850/281-415	Fuse plug; 5 mm wide; with soldered miniature fuse; with additional indicator lamp; red LED; AC 15 - 30 V; 250 mA FF	100
280-852	Fuse plug; 5 mm wide; with soldered miniature fuse; 500 mA FF	100
280-852/281-413	Fuse plug; 5 mm wide; with soldered miniature fuse; with additional indicator lamp; red LED; DC 15 - 30 V; 500 mA FF	100
280-852/281-414	Fuse plug; 5 mm wide; with soldered miniature fuse; with additional indicator lamp; red LED; DC 30 - 65 V; 500 mA FF	100
280-852/281-415	Fuse plug; 5 mm wide; with soldered miniature fuse; with additional indicator lamp; red LED; AC 15 - 30 V; 500 mA FF	100
280-854	Fuse plug; 5 mm wide; with soldered miniature fuse; 1 A FF	100
280-854/281-413	Fuse plug; 5 mm wide; with soldered miniature fuse; with additional indicator lamp; red LED; DC 15 - 30 V; 1 A FF	100
280-854/281-414	Fuse plug; 5 mm wide; with soldered miniature fuse; with additional indicator lamp; red LED; DC 30 - 65 V; 1 A FF	100
280-856	Fuse plug; 5 mm wide; with soldered miniature fuse; 2 A FF	100
280-856/281-413	Fuse plug; 5 mm wide; with soldered miniature fuse; with additional indicator lamp; red LED; DC 15 - 30 V; 2 A FF	100
280-856/281-414	Fuse plug; 5 mm wide; with soldered miniature fuse; with additional indicator lamp; red LED; DC 30 - 65 V; 2 A FF	100
280-856/281-415	Fuse plug; 5 mm wide; with soldered miniature fuse; with additional indicator lamp; red LED; AC 15 - 30 V; 2 A FF	100
281-511	Fuse plug with pull-tab; for miniature metric fuses 5 x 20 mm and 5 x 25 mm; 6 mm wide	50
281-512	Fuse plug with pull-tab; for miniature metric fuses 5 x 20 mm and 5 x 25 mm; with hole for one LED (for self-assembly); 6 mm wide	50
281-512/281-417	Fuse plug with pull-tab; for miniature metric fuses 5 x 20 mm and 5 x 25 mm; with neon lamp, 230 V AC/DC; 6 mm wide	50
281-512/281-418	Fuse plug with pull-tab; for miniature metric fuses 5 x 20 mm and 5 x 25 mm; with neon lamp, 120 V AC/DC; 6 mm wide	50
281-512/281-501	Fuse plug with pull-tab; for miniature metric fuses 5 x 20 mm and 5 x 25 mm; with LED indicator; AC/DC 24 V; 6 mm wide	50
709-154	Cover; type 2; suitable for cover carrier, type 2; 1 m long	1

Images & drawings



**Address**

WAGO Kontakttechnik GmbH & Co. KG

Hansastr. 27

32423 Minden

Telefon: 0571/887-0

Fax: 0571/887-169

<http://www.wago.com>

© WAGO Kontakttechnik GmbH & Co. KG

Technische Änderungen und Irrtümer vorbehalten.