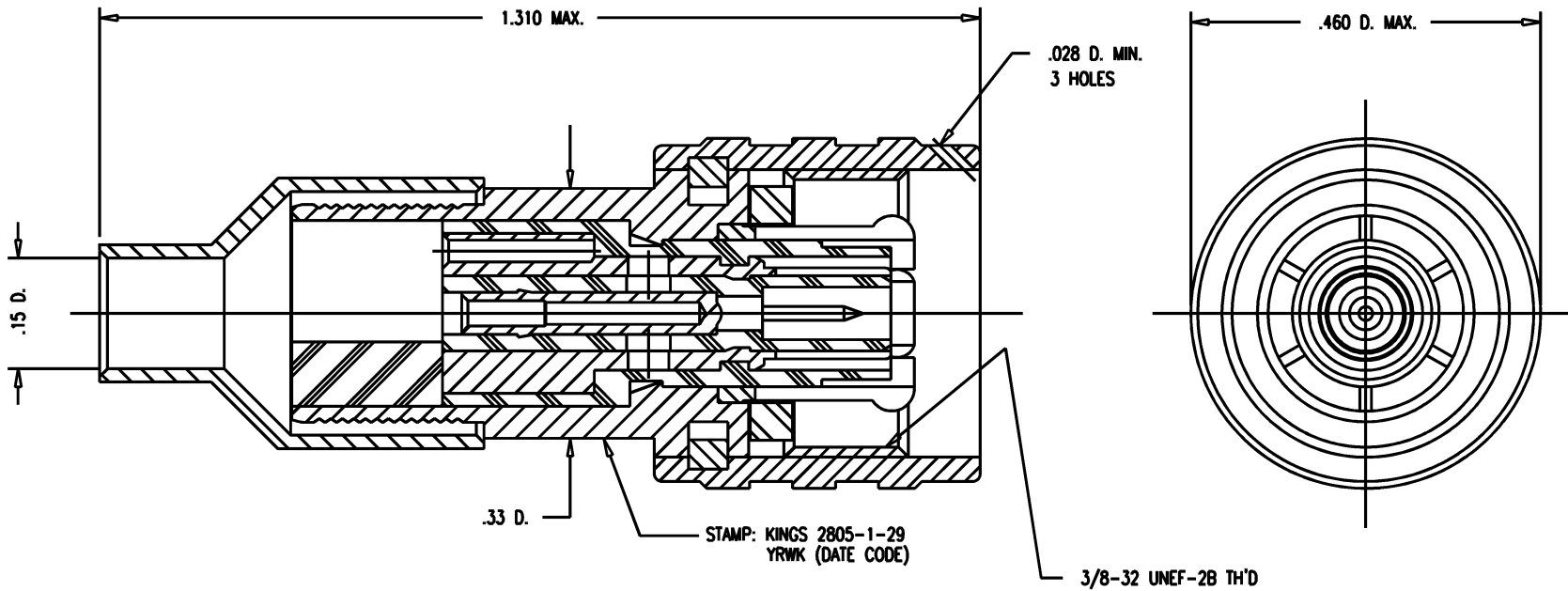


GSD

2805-1-29

REVISIONS

ISSUE	CHANGES
2	ER 31257 KH 10 NOV 89
3	CN 32284 A JCA 06/21/90
4	CN 32796 A JCA 01/18/91
5	CN 39290 E TML 07/07/05



NOTES:

- FOR USE WITH M17/176-00002 CABLE.
- FOR CABLING INSTRUCTIONS SEE 3-349-1.
- FOR CRIMPING USE DIE SIZE KTH-2168.
- MATERIALS:
 GASKET-SILICONE RUBBER, ZZ-R-765
 INNER INSULATOR } TEFLON, ASTM D1457
 OUTER INSULATOR }
 C-RING-PHOSPHOR BRONZE, QQ-B-750
 OUTER CONTACT-BERYLLIUM COPPER, QQ-C-530
 CRIMP SLEEVE-BRONZE, ALLOY CDA 220
 ALL OTHER METAL PARTS-BRASS, QQ-B-626

- FINISHES:
 CENTER CONTACT } HARD GOLD PLATE PER MIL-G-45204
 INTERMEDIATE CONTACT }
 ALL OTHER METAL PARTS-NICKEL PLATE PER QQ-N-290, CLASS 1, GRADE G.

- INTERFACE MEETS REQUIREMENTS OF KER-10073
- MATEABILITY: U. S. AIR FORCE 8810305
- ACCEPTANCE TESTING: MIL-C-49142
- PATENT 4804344
- ALL BAGS & BOXES MUST BE MARKED: KINGS 2805-1-29
 McDONNELL DOUGLAS 500128-06

SCALE 6:1

APPROX SURFACE AREA

USED ON

REF: DOUGLAS AIRCRAFT 500128-06 REV. C

PLUG, THREADED, SDB

DRAWN KH	DATE 11/10/89
DESIGN VLS	DATE 11/13/89
APPR.	DATE

KINGS
 ELECTRONICS CO., INC.
 ROCK HILL, SOUTH CAROLINA 29730

2805-1-29

GSD