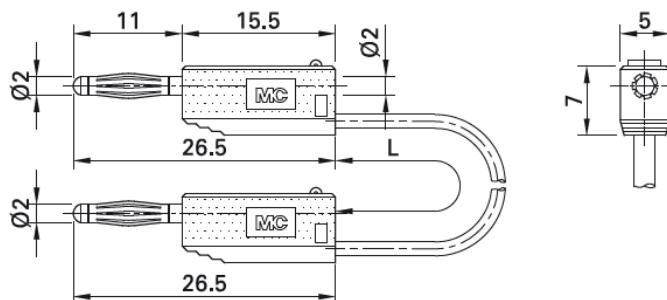
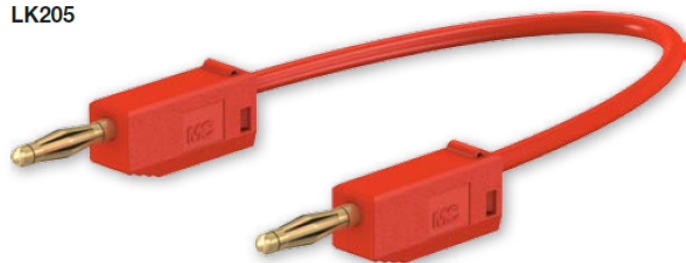


Test Lead LK205...

Highly flexible with stackable Ø 2 mm MULTILAM plugs on both ends.

LK205



Order No.	Type	Rated voltage/current	Lead		Lead lengths L [cm]	*Colors
28.0039-□*	LK205	30 VAC / 10 A 60 VDC / 10 A	PVC 0.5 mm ²	Au	007 (7.5 cm) 015 030 045 060	21 22 23 24 25 27 28 29