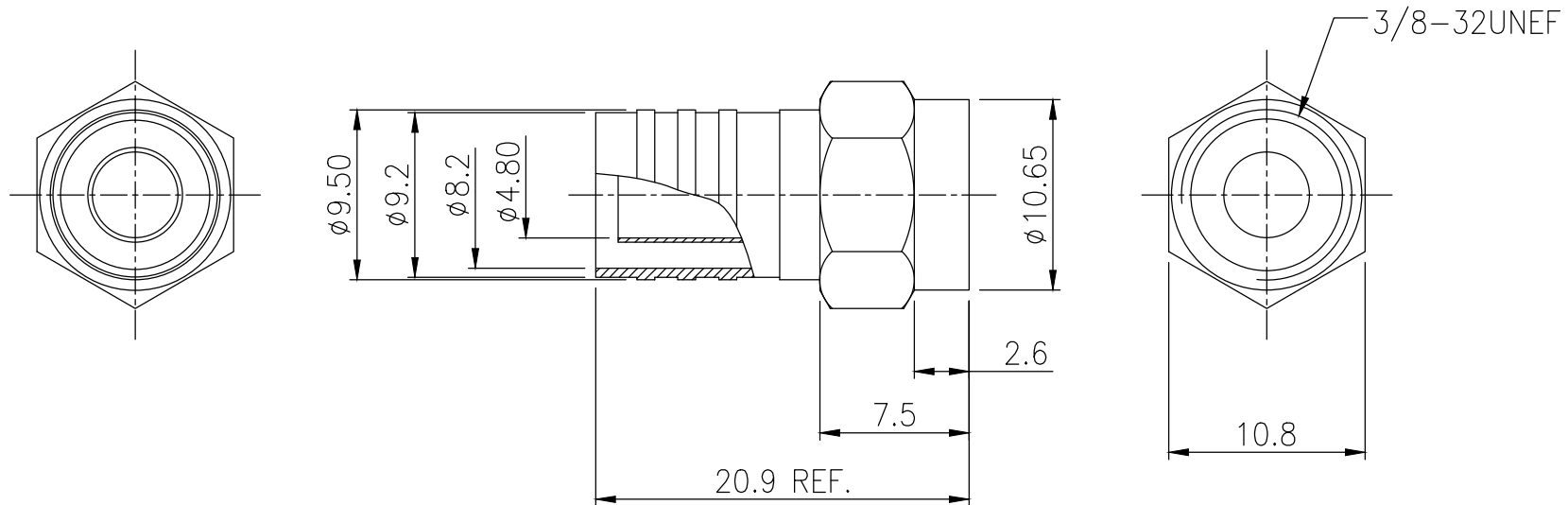


REV.	DESCRIPTION	DRAWN / DATE	APPROVED / DATE
0	INITIAL RELEASE	YANG 01/24/2003	LIN 01/24/2003
1	Change plating material	YANG 05/12/2014	FROS 05/12/2014



SEPCIFICATION:

1. F MALE CONNECTOR, FOR RG6/U CABLE.
2. NICKEL PLATED BODY WITH LARGER NUT HEAD.  
(鍍鎳, 大型六角頭)
3. PACKAGE : 4000 PCS/MASTER CARTON.

RoHS

DIMENSIONS ARE IN mm [INCH]	TOLERANCES ARE FRACTIONS DECIMALS ANGLES	MATERIAL	P/N	DRAWN YANG	DATE 01/24/2003
MOLD NO.	.X ± 0.20 [0.008]	FINISH	PROJECT NO.		
33-8780-85-90	.XX ± 0.12 [0.005]	COLOR	SCALE 2.5:1 SIZE A4 SHEET 1 OF 1		QW014

"F" MALE CONNECTOR,  
RG6/U TYPE