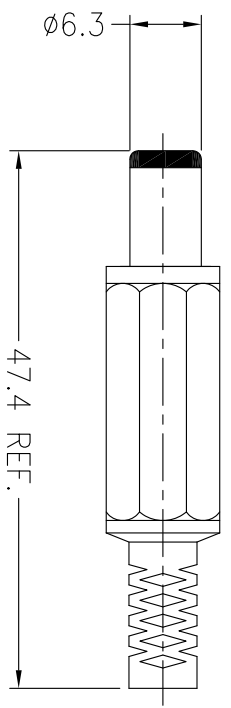
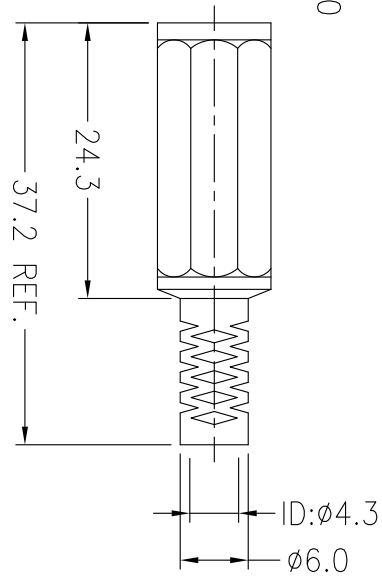
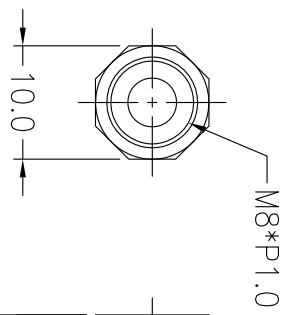
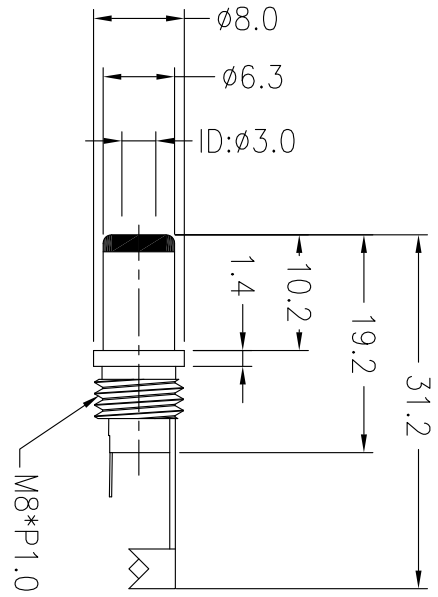


CUSTOMER MCM FILE NO. 27-860

THIS DRAWING AND SPECIFICATIONS HEREIN ARE THE CONFIDENTIAL PROPERTY OF SAMAK AND SHALL NOT BE REPRODUCED OR COPIED OR DISCLOSED IN WHOLE OR IN PART WITHOUT WRITTEN PERMISSION.

REV.	DESCRIPTION	DRAWN / DATE	APPROVED / DATE
0	INITIAL RELEASE	YANG 02/06/2015	LIN 02/06/2015



ASSEMBLY

DIMENSIONS ARE IN [mm]		TOLERANCES ARE FRACTIONS DECIMALS ANGLES		MATERIAL FINISH COLOR		P/N PROJECT NO. SCALE		DRAWN DATE			
MOLD NO.	27-860	X ± 0.20	.XX ± 0.12			27-860	3/2	A4	1 OF 1	YANG	02/06/2015
BARREL DC CONNECTOR						MS062					