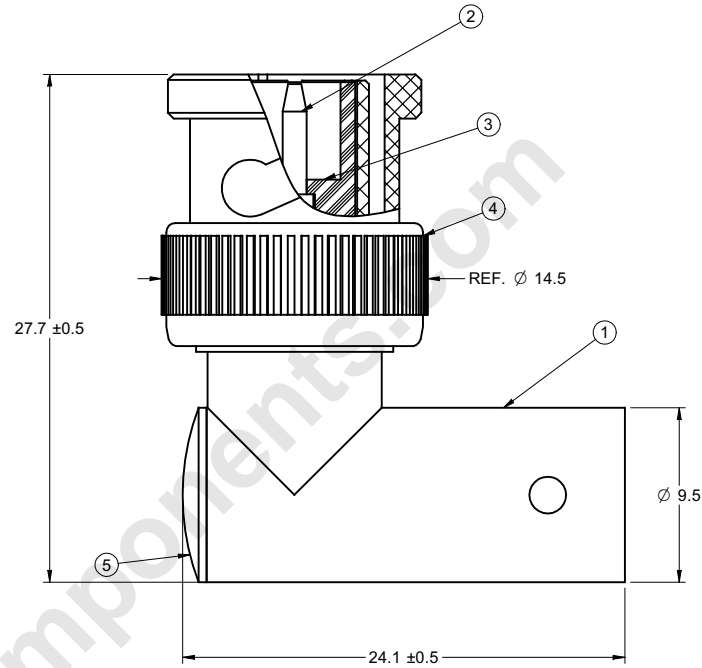
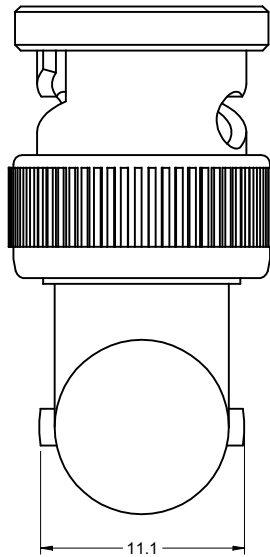


PART NUMBER	ITEM ① BODY	ITEM ② CONTACT	ITEM ③ INSULATOR	ITEM ④ NUT	ITEM ⑤ END CAP
27-8150	ZINC NICKEL PLATED	BRASS GOLD PLATED	DELIN	ZINC NICKEL PLATED	BRASS NICKEL PLATED

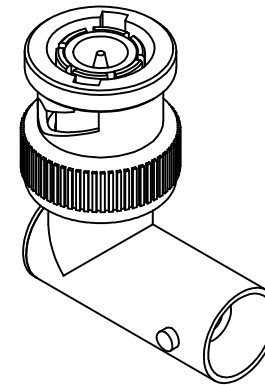
DRAWING NO. 27-8150	
REVISIONS	
01	OFFICIAL RELEASE
08-28-09	Y U W T T Betty 2009.08.14 08:41:44



受控 CONTROLLED DOCUMENT					
编号 P/N	27-8150	版本 Rev	01	日期 Rel'd Date	SEP 14, 09

NOTES:

1. IMPEDANCE: 50 OHMS NOMINAL
2. FREQUENCY RANGE: 0-4 GHz
3. PRODUCT SHOULD BE RoHS COMPLIANCE
4. TECHNICAL DETAIL: REFER TO EMERSON DOCUMENT P/N 27-0000.



THIS DRAWING TO BE INTERPRETED  
PER ANSI Y 14.5M - 1994

**COMPANY CONFIDENTIAL**

TOLERANCE UNLESS OTHERWISE SPECIFIED		DRAWN BY BETTY.YU	DATE 08-28-09
DECIMALS	mm	CHECKED BY TERRY.W	DATE 08-28-09
X	+ 0.5	APPROVED BY THOMAS	DATE 08-28-09
X.X	+ 0.2	U/M	mm
X.XX	+ 0.1		
ANGLES	+ 0.5°		

		<b>Connectivity Solutions</b>
TITLE 50 OHM BNC RIGHT ANGLE ADAPTER		
SHEET 1 OF 1	DRAWING NO. 27-8150	SIZE C

THIS DRAWING WAS PRODUCED BY COMPUTER,  
DO NOT SCALE DRAWING OR UPDATE MANUALLY.