

UEGM-MSTB


Order No.: 2781453



<http://eshop.phoenixcontact.co.uk/phoenix/treeViewClick.do?UID=2781453>

Electronic housing, for PCB insertion, with 12-pos. Combicon pin strip

Commercial data

EAN	 4 017918 068967
Pack	10
Customs tariff	85369010
Gross weight in pieces	45.50 g
Country of Origin	DE
Catalog page information	Page 728 (CAT-1-2013)

Product notes

WEEE/RoHS-compliant since:
01/01/2003



Please note that the data given here has been taken from the online catalog. For comprehensive information and data, please refer to the user documentation at <http://www.download.phoenixcontact.com>. The General Terms and Conditions of Use apply to Internet downloads.

Technical data

General

Housing type	Complete housing
Housing material	Polyamide (PA 6.6)
Color	green

Dimensions

Length	79 mm
--------	-------

Constructional height	90.5 mm
Width	25 mm

Technical data

Ambient temperature (operation)	-40 °C ... 105 °C
Inflammability class according to UL 94	V0
Power dissipation at 20°C in the horizontal mounting position	4 W 10 W
Number of positions	12

Certificates



Certification GOST, UL Recognized

Certifications applied for:

Certification Ex:

Accessories

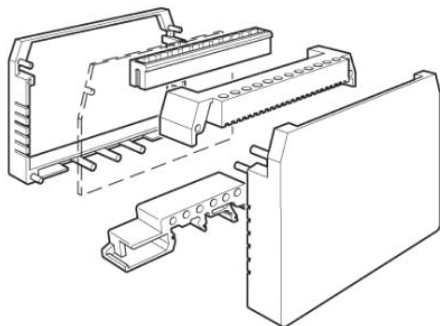
Item	Designation	Description
------	-------------	-------------

Assembly

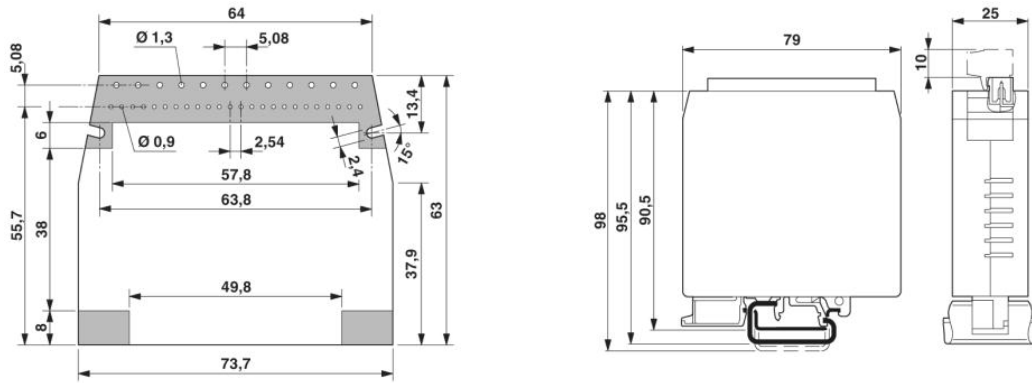
2781466	UEGM-MSTB-BS	Cover cap, for closing LED cutouts which are not required.
---------	--------------	--

Drawings

Explosion drawing

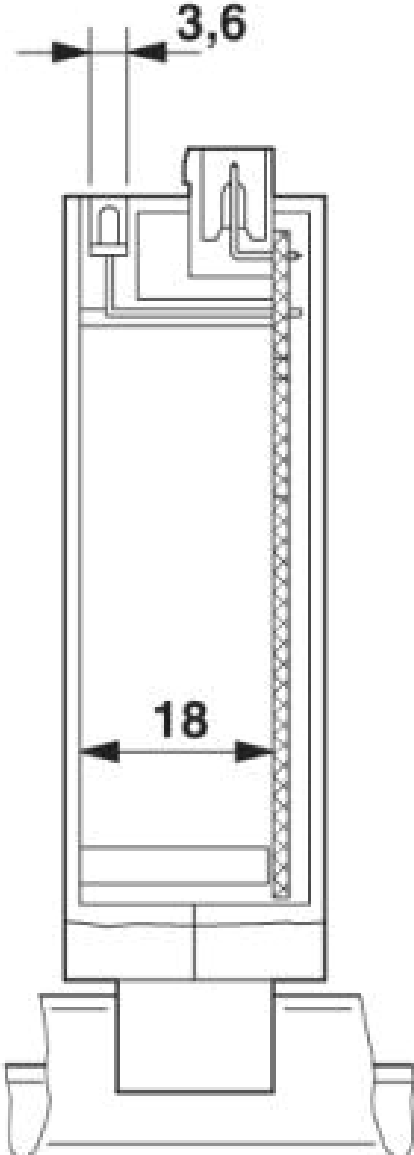


Dimensioned drawing



Soldering side of PCB layout
1 = Overall component area

Maximum height of the components on the PCB



Address

PHOENIX CONTACT Ltd
Halesfield 13
Telford / Shropshire / TF7 4PG, England
Phone 01952 681 700
Fax 01952 681 799
<http://www.phoenixcontact.co.uk>



Phoenix Contact Ltd.
Technical modifications reserved;