

Electronic housing - EG 90-GP/ABS GN - 2764315

Please be informed that the data shown in this PDF Document is generated from our Online Catalog. Please find the complete data in the user's documentation. Our General Terms of Use for Downloads are valid (<http://phoenixcontact.com/download>)



Housing base, with snap foot and test opening with side cover


Illustration shows a fully mounted version of the electronic housing

Product Features

- Tool-free mounting
- Fast snap-on mounting on symmetrical DIN rails according to EN 60715
- Practical and easy-to-wire conductor connection using extra finely stranded sturdy screw terminal blocks up to 2.5 mm²
- Functional and industry-oriented housing technology
- Optimum accommodation of electronic components with graded pitches with a design width of 22.5 mm, 45 mm, 67.5 mm, and 90 mm
- Date of manufacture and material and part identification embossed on the housing (recyclability)
- Shock and contamination-proof accommodation of electronic components (IP40 housing, IP20 terminal blocks)



Key Commercial Data

Packing unit	1 pc
Minimum order quantity	10 pc
GTIN	 4 017918 065942
Weight per Piece (excluding packing)	93.25 g
Custom tariff number	85369010
Country of origin	Germany

Technical data

General

Housing type	Component housing
Housing material	Acryl butadiene styrene (ABS)
Color	green

Electronic housing - EG 90-GP/ABS GN - 2764315

Technical data

Ambient conditions

Ambient temperature (operation)	-40 °C ... 80 °C
---------------------------------	------------------

Dimensions

Length	75 mm
Constructional height	107.5 mm
Width	90 mm

Technical data

Flammability rating according to UL 94	HB
Power dissipation without gap	6 W
Power dissipation with 20 mm gap	9.1 W
Number of positions	34

Standards and Regulations

Flammability rating according to UL 94	HB
--	----

Classifications

eCl@ss

eCl@ss 4.0	27180401
eCl@ss 4.1	27180401
eCl@ss 5.0	27180506
eCl@ss 5.1	27180506
eCl@ss 6.0	27180802
eCl@ss 7.0	27182702
eCl@ss 8.0	27182702
eCl@ss 9.0	27182702

ETIM

ETIM 2.0	EC001031
ETIM 3.0	EC001031
ETIM 4.0	EC001031
ETIM 5.0	EC001031

UNSPSC

UNSPSC 6.01	31261501
UNSPSC 7.0901	31261501
UNSPSC 11	31261501
UNSPSC 12.01	31261501

Electronic housing - EG 90-GP/ABS GN - 2764315

Classifications

UNSPSC

UNSPSC 13.2	31261501
-------------	----------

Approvals

Approvals

Approvals

UL Recognized

Ex Approvals

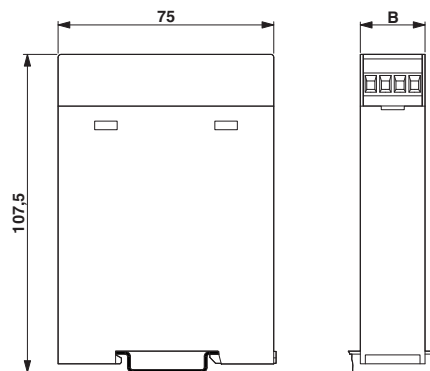
Approvals submitted

Approval details

UL Recognized

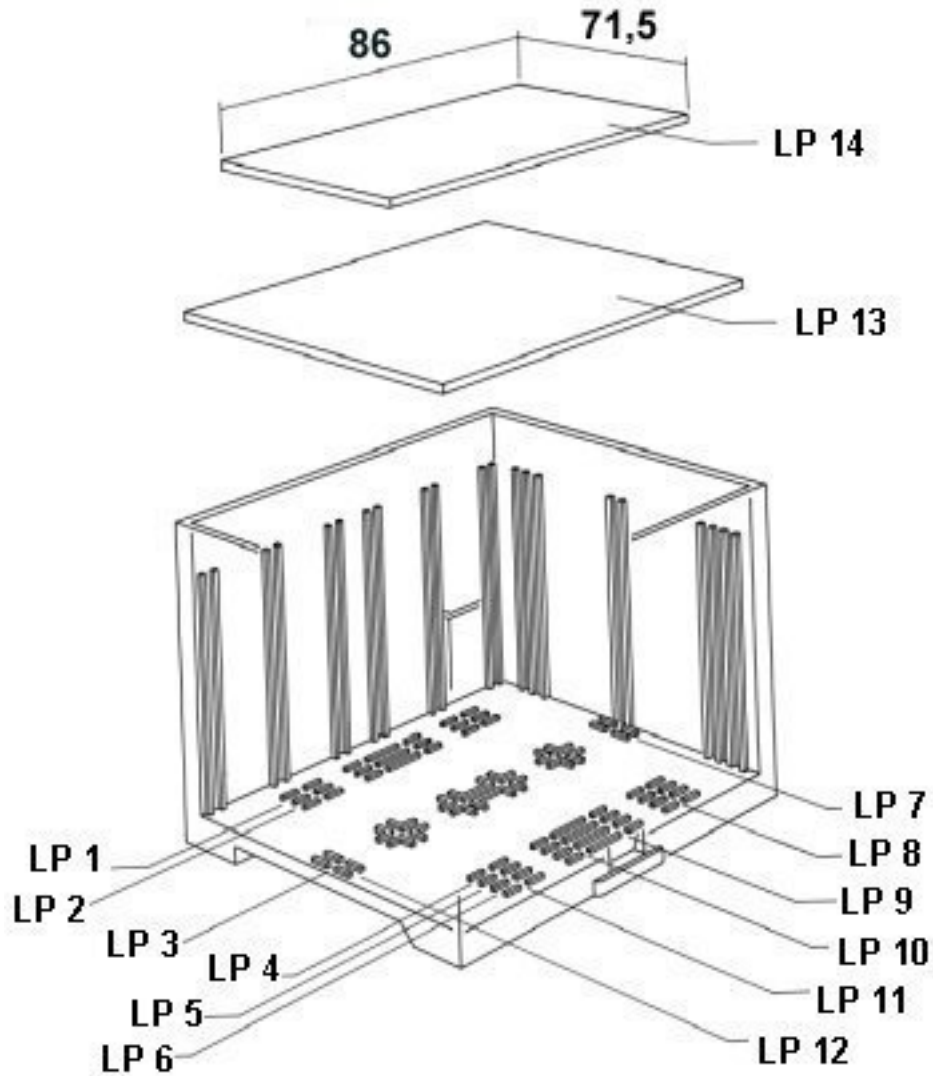
Drawings

Dimensional drawing



Electronic housing - EG 90-GP/ABS GN - 2764315

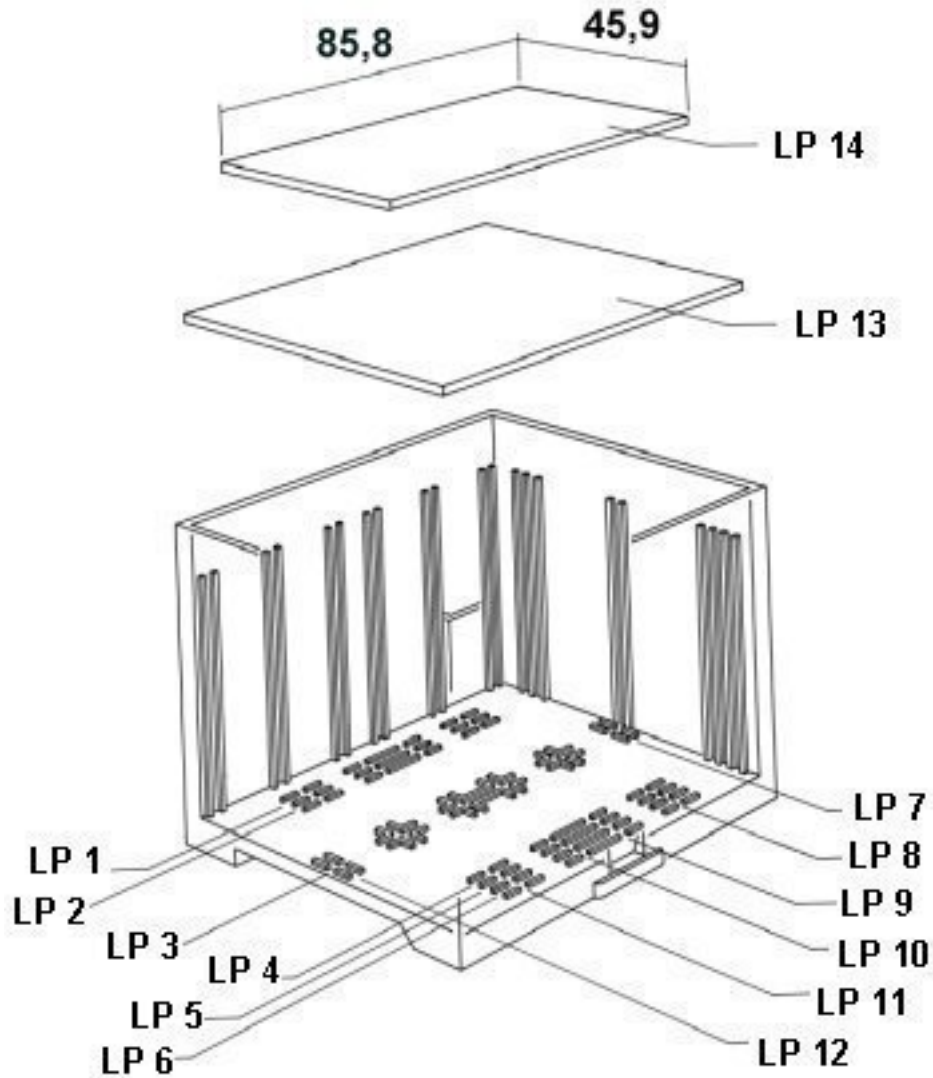
Explosion drawing



valid for PCB 13

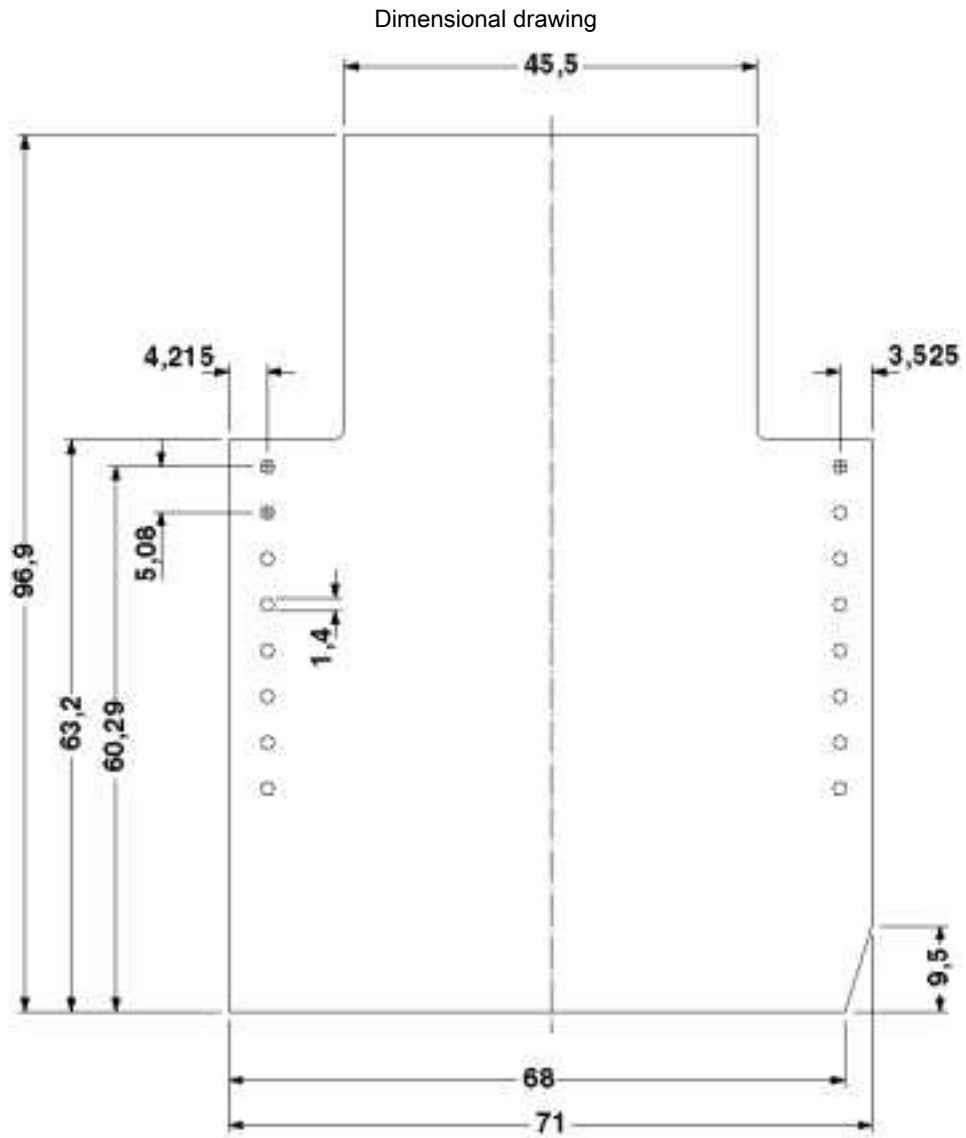
Electronic housing - EG 90-GP/ABS GN - 2764315

Explosion drawing



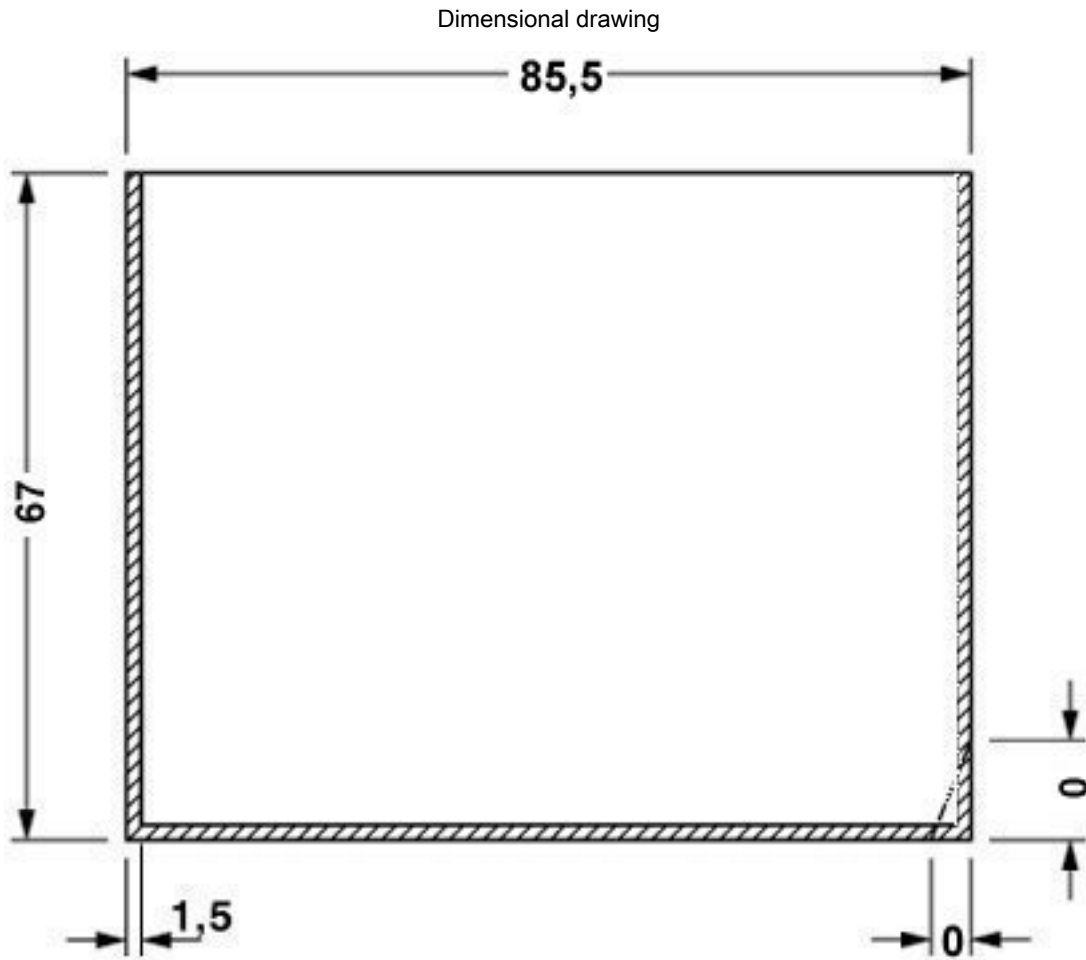
valid for PCB 14

Electronic housing - EG 90-GP/ABS GN - 2764315



Component mounting side, if the double-level upper part is used

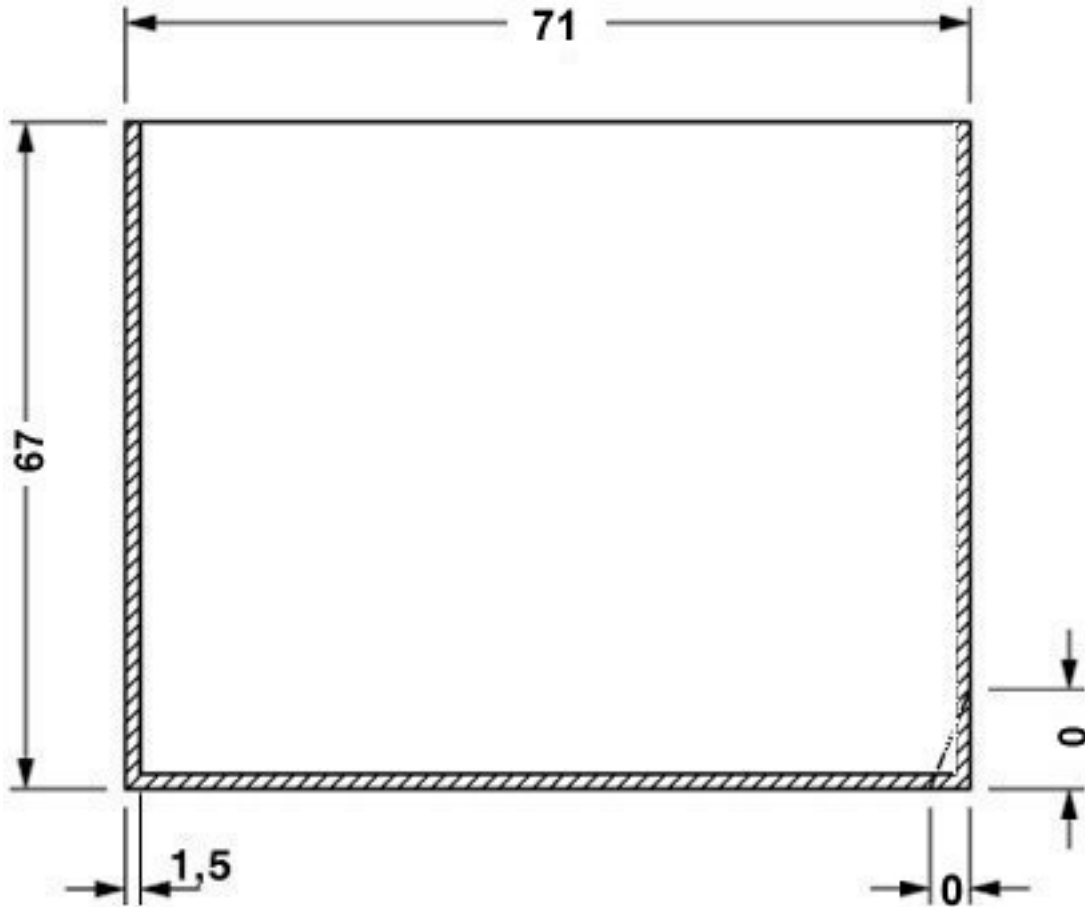
Electronic housing - EG 90-GP/ABS GN - 2764315



valid for PCB 1; 2; 3; 4; 5 und 6, see explosion drawing

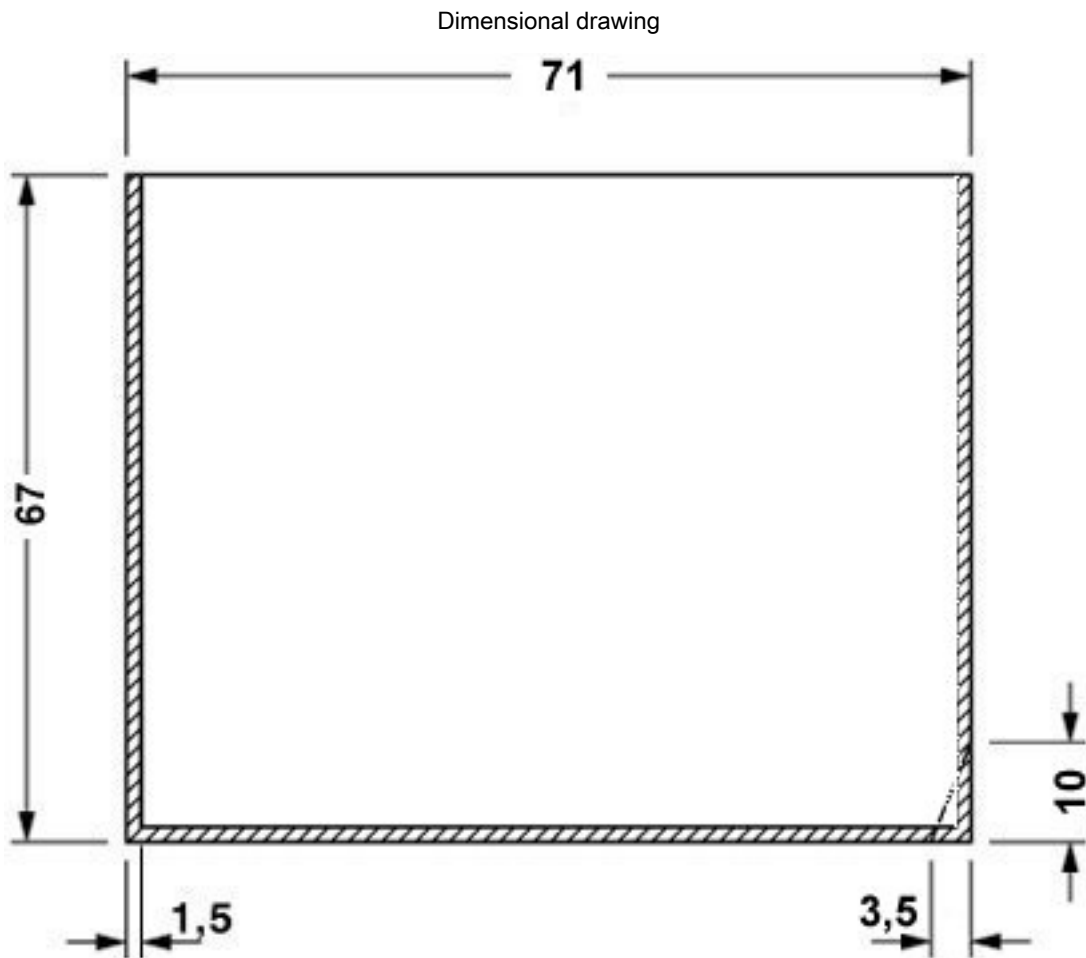
Electronic housing - EG 90-GP/ABS GN - 2764315

Dimensional drawing



valid for PCB 7; 8; 11 and 12, see explosion drawing

Electronic housing - EG 90-GP/ABS GN - 2764315



valid for PCB 9 and 10, see explosion drawing