

27-5860

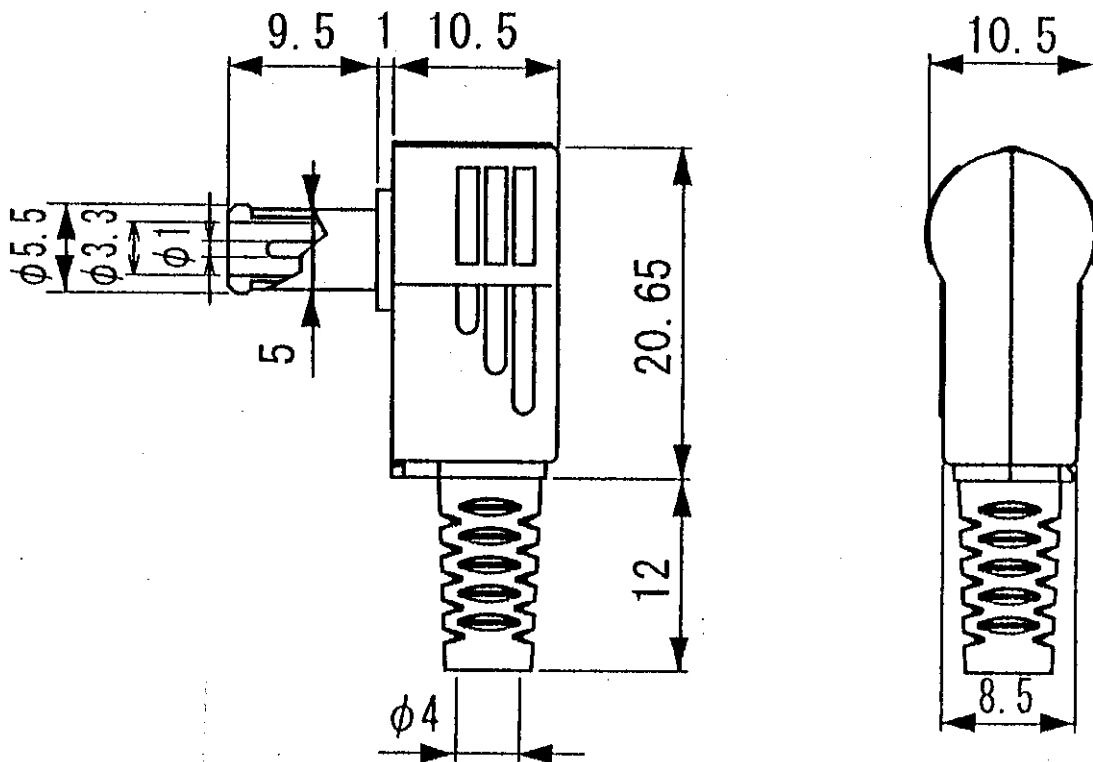
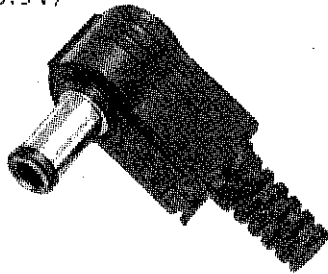
www.mcmelectronics.com

SPECIFICATION SHEET

Date March 23, 2004

$\phi 5.5 \times 3.3$ (center pin : 1.0ϕ) DC PLUG

(DC 10.5V ~ 13.5V)



Made in Japan