

Accessories & Sockets

Industrial 12 & 14 Pin Socket



E13224



IND. CONT. EQ.
225G

These industrial style sockets offer front-connected wiring on one level with screw terminals accessible and numbered for ease in installation, wiring and checkout. Sockets are polarized. The mating relay has a din rail locking clip that snaps into the socket, eliminating any need for external holding devices.

GENERAL SPECIFICATIONS (@ 25° C)

Construction:

Protection category (finger safe)	IP20 IEC (D Series)
Internal metal tracks	Copper alloy, zinc plated
Screws terminals	Steel, zinc plated
Screw style and size	Combination Head - M3.5 X 0.06 x 6.35MM
Screw terminals torque maximum	9 lb-in, 1.01 Nm

Electrical Rating

Nominal voltage rating	600V
Nominal current rating	10 Amp

Temperature:

Operating	-40°C to 80°C
-----------	---------------

Dielectric Strength:

Output to adjacent output terminals	2000V rms
Output to input terminals	2000V rms
Terminals to rail chassis	2000V rms

Miscellaneous:

Chassis mount screw torque	8- 10lb, .90 Nm
Flammability rating	94V-0
Wire size	20 -12 AWG, 0.5 - 3mm ²
Body color	Light grey
DIN locking clip color	Red (27390D, 33377D)



27390D



33377D



27390



33377

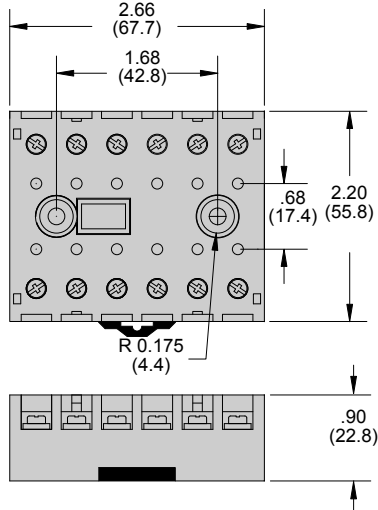
Accessories & Sockets

Industrial 12 & 14 Pin Socket

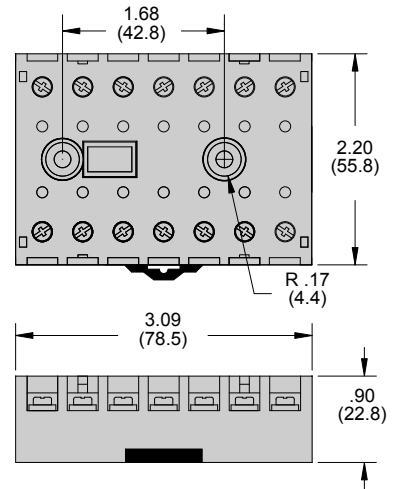
Outline Dimensions

Dimensions Shown in inches & (millimeters)

12 Pin Socket - 27390D



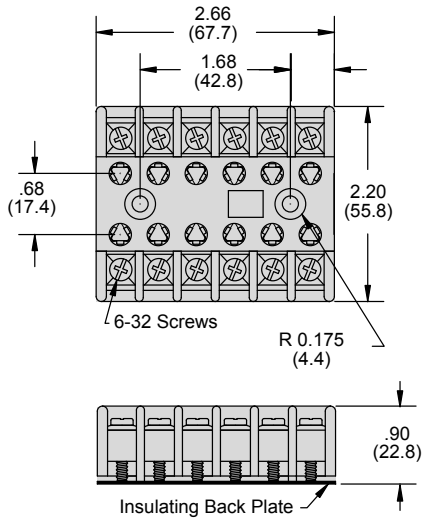
14 Pin Socket - 33377D



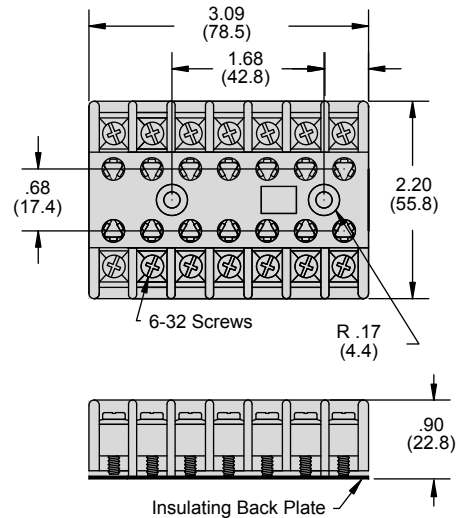
Outline Dimensions

Dimensions Shown in inches & (millimeters)

12 Pin Socket - 27390



14 Pin Socket - 33377



27390 & 33377 Socket Part Number Chart

Part Numbers	Style	Weight (Grams)
27390	12 Pin panel mount socket with removable screws	102
33377	14 Pin socket	120

27390D & 33377D Socket Part Number Chart

Part Numbers	Style	Weight (Grams)
27390D	12 Pin socket DIN / panel mount, with fingersafe non-removable screw terminals and clamping plates	102
33377D	14 Pin socket DIN / panel mount, with fingersafe non-removable screw terminals and clamping plates	129