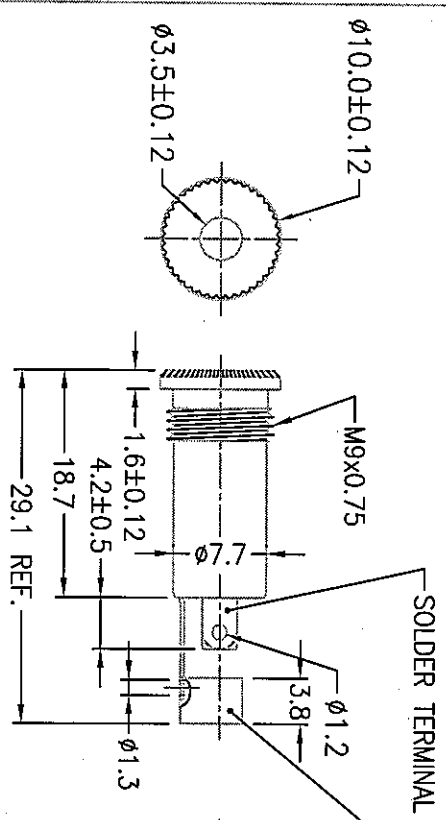


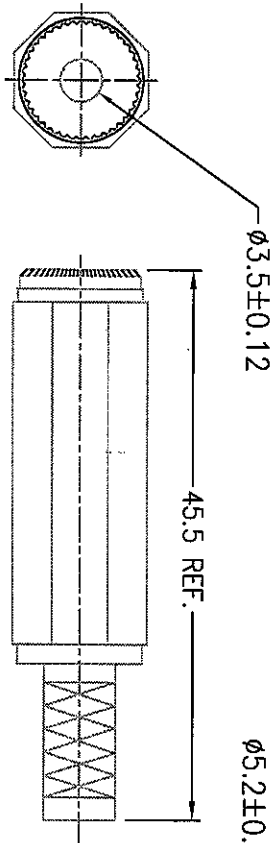
CUSTOMER MCM FILE NO. 27-3159

THIS DRAWING AND SPECIFICATIONS HEREBY ARE THE CONFIDENTIAL PROPERTY OF SAMMAR AND SHALL NOT BE REPRODUCED OR COPIED OR DISCLOSED IN WHOLE OR IN PART WITHOUT WRITTEN PERMISSION.

REV.	DESCRIPTION	DRAWN / DATE	APPROVED / DATE
0	INITIAL RELEASE	LN 07/01/2008	LN 07/01/2008



METAL BODY



ASSEMBLY

MATERIAL

1. METAL BODY: BRONZE, NICKEL-PLATED
2. CRIMP TERMINAL: BRONZE, NICKEL-PLATED
3. SOLDER TERMINAL: BRONZE (FOR TIP CONTACT)  
BRONZE, NICKEL-PLATED(FOR RING CONTACT)
4. HANDLE: PE, BLACK
5. INSULATOR: ABS

**ROHS**

DIMENSIONS ARE IN INCH		TOLERANCES ARE FRACTIONS DECIMALS ANGLES		MATERIAL FINISH COLOR		P/N PROJECT NO.		DRAWN LN		DATE	
BOLD NO.	27-3159	X ±0.2 [0.008]	XX ±0.12 [0.005]				27-3159	LN		07/01/2008	
<b>SAMMAR</b>						3.5mm STEREO IN-LINE JACK		SCALE 1.6:1		SIZE A4 SHEET 1 OF 1	
						BLACK				MS062	