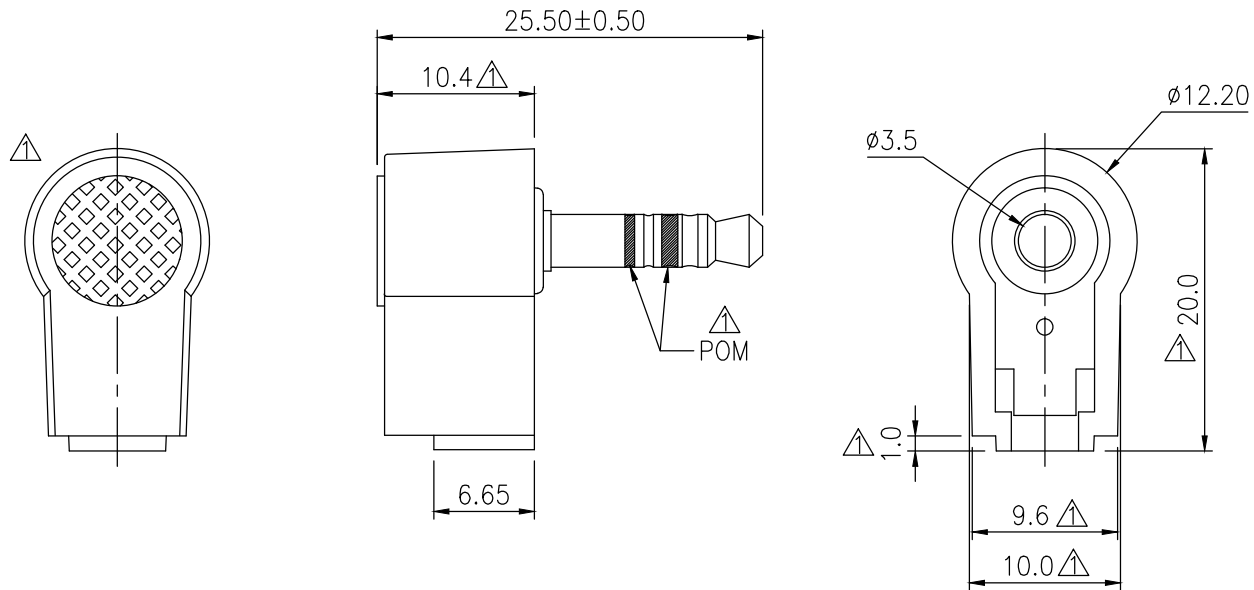


Distributed By:
MCM Electronics
 www.mcmelectronics.com

REV.	DESCRIPTION	DRAWN / DATE	APPROVED / DATE
0	INITIAL RELEASE	YANG 11/12/2010	FROS 11/12/2010
1	REVISED SHAPE & MATERIAL	YANG 06/16/2014	FROS 06/16/2014



MATERIAL:

1. BODY: PE
2. PLUG: BRASS, NICKEL-PLATED
3. INSULATOR: NYLON

DIMENSIONS ARE IN mm [INCH]		TOLERANCES ARE FRACTIONS DECIMALS ANGLES		MATERIAL	3.5mm STEREO PLUG, RIGHT-ANGLED TYPE	P/N 27-3152		DRAWN YANG	DATE 11/12/2010
MOLD NO.		.X ± 0.20 [0.008]		FINISH		PROJECT NO.			
27-3152		.XX ± 0.12 [0.005]		COLOR		SCALE 2:1	SIZE A4	SHEET 1 OF 1	

MS062