

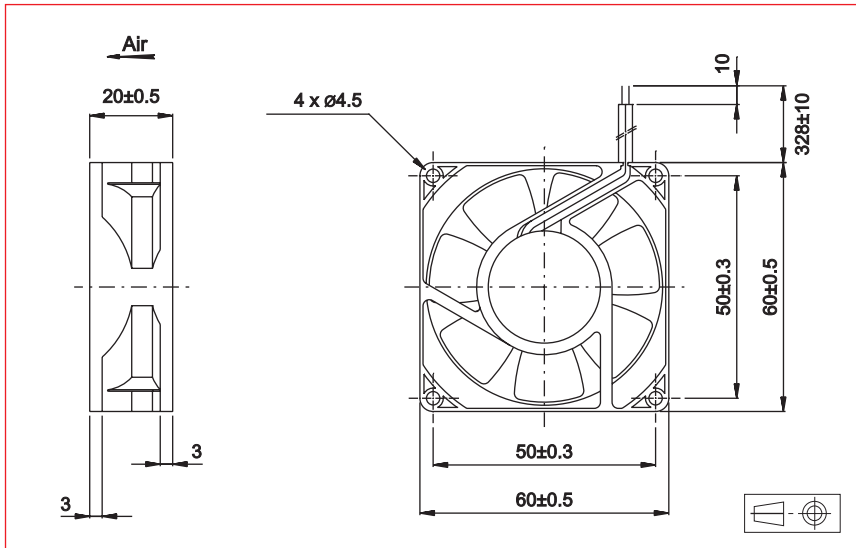
2,362" x 2,362" x 0,787"

60 x 60 x 20 mm

Series
272D

ETRI[®]

DC Axial Fans



Approvals



Life expectancy

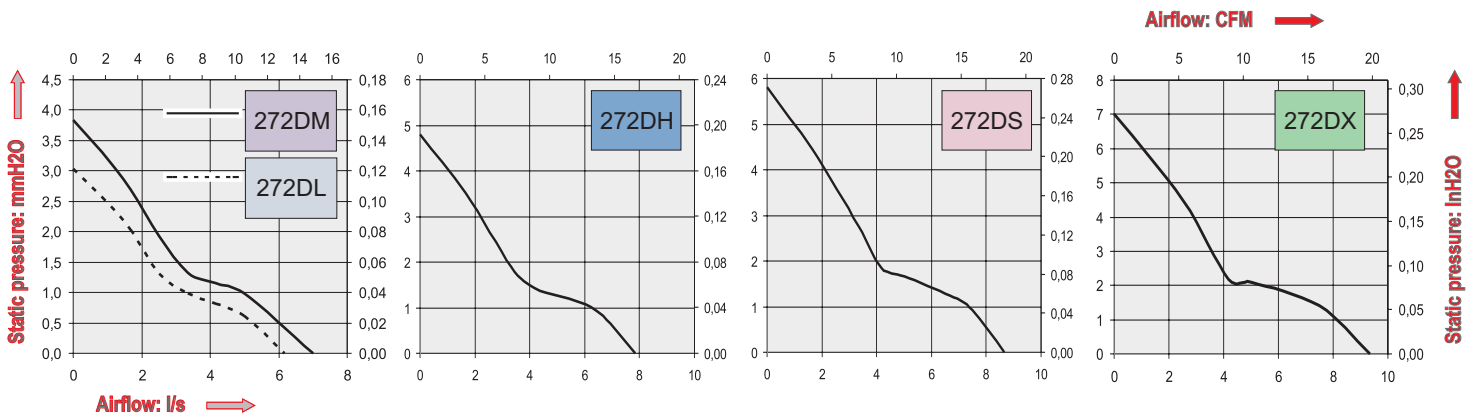
L-10 LIFE AT 40°C:
80 000 hours

Brushless DC Motor

Electrical protection: impedance protected
Housing material: plastic UL 94 VO
Impeller material: plastic UL 94 VO
Weight: 62 g
Bearing system: ball bearings

Available with:

- Variable speed
- Speed sensor
- Alarm
- IP54 / IP55



Part Number	Nominal voltage	Airflow	Noise level	Nominal speed	Input Power	Voltage range	Connection type		Operating temperature	
	V						l/s	dB(A)	RPM	W
272DL5LP11000	5	6,2	24	3200	0,70	(4,5-5,5)	X		-10	70
272DL1LP11000	12	6,2	24	3200	0,84	(7-13,8)	X		-10	70
272DL2LP11000	24	6,2	24	3200	0,72	(14-27,6)	X		-10	70
272DM5LP11000	5	7,0	26	3600	0,95	(4,5-5,5)	X		-10	70
272DM1LP11000	12	7,0	26	3600	1,08	(7-13,8)	X		-10	70
272DM2LP11000	24	7,0	26	3600	0,96	(14-27,6)	X		-10	70
272DH5LP11000	5	7,8	28	4000	1,20	(4,5-5,5)	X		-10	70
272DH1LP11000	12	7,8	28	4000	1,32	(7-13,8)	X		-10	70
272DH2LP11000	24	7,8	28	4000	1,20	(14-27,6)	X		-10	70
272DS5LP11000	5	8,7	31	4400	1,65	(4,5-5,5)	X		-10	70
272DS1LP11000	12	8,7	31	4400	1,80	(7-13,8)	X		-10	70
272DS2LP11000	24	8,7	31	4400	1,68	(14-27,6)	X		-10	70
272DX1LP11000	12	9,3	33	4800	2,16	(7-13,8)	X		-10	70
272DX2LP11000	24	9,3	33	4800	2,16	(14-27,6)	X		-10	70

Accessories:

Refer to Accessories leaflet