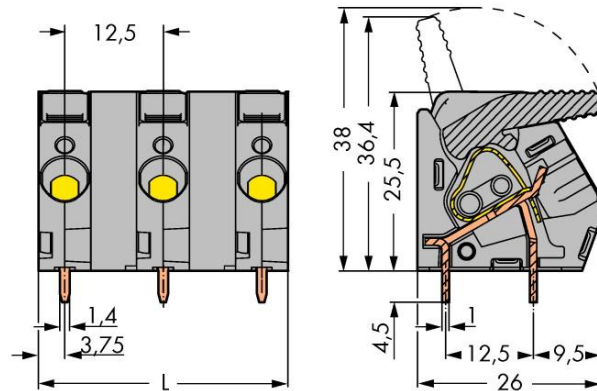


Wago #2706-102



Description

Terminal strips with operating levers; 2 solder pins/pole; 7-pole; pin spacing 12.5 mm / 0.492 in; without jumper slot

Features

- High-current terminal strips with lever-actuated CAGE CLAMP®
- Tool-free opening and closing – fingers open/close levers
- Several clamping units can be held open simultaneously – convenient for terminating multi-core cables
- Two solder pins per contact point for high mechanical stability
- 600V UL for 12.5mm pin spacing

Item properties

Name	Value	Unit
No. of Poles	7	
Total number of connection points	7	
Total number of potentials	7	
Color	gray	
Ratings according to 1	IEC/EN 60664-1	
Overvoltage category EN 1	III	
Pollution degree (1)	2	
Rated voltage EN (1) [V]	1000	V
Rated surge voltage (1) [kV]	8	kV

Nominal current [A]	41	A
Overtoltage category EN 2	II	
Degree of pollution (2)	2	
Rated voltage EN (2) [V]	1000	V
Rated surge voltage (2) [kV]	8	kV
Nominal current (2) [A]	41	A
Overtoltage category EN 3	III	
Degree of pollution (3)	3	
Rated voltage EN (3) [V]	1000	V
Rated surge voltage (3) [kV]	8	kV
Nominal current (3) [A]	41	A
Connection technology (1)	CAGE CLAMP [®]	
Conductor type (1)	solid	
Cross section from (1) [mm ²]	0.5	mm ²
Cross section up to (1) [mm ²]	6	mm ²
Cross section from (1) [AWG]	20	AWG
Cross section up to (1) [AWG]	10	AWG
Conductor type (2)	stranded	
Cross section from (2) [mm ²]	0.5	mm ²
Cross section up to (2) [mm ²]	6	mm ²
Conductor type (3)	fine-stranded (with insulated ferrule)	
Cross section from (3) [mm ²]	0.5	mm ²
Cross section up to (3) [mm ²]	6	mm ²
Conductor type (4)	fine-stranded (with uninsulated ferrule)	
Cross section from (4) [mm ²]	0.5	mm ²
Cross section up to (4) [mm ²]	6	mm ²
Strip length from 1 [mm]	11	mm
Strip length up to (1) [mm]	12	mm
Strip length from [inch] [in]	0.43	in
Strip length up to [inch] [in]	0.47	in

Strip length (1) [in]	0.45	in
Conductor entry angle to the PCB (degrees) [°]	30	°
Solder pin length [mm]	4.5	mm
Solder pin width A [mm]	1	mm
Solder pin width B [mm]	1.4	mm
Drilled hole diameter [mm] [mm]	1.8	mm
Tolerance of drilled hole diameter [mm] [mm]	+0.1	mm
Material group	I	
Insulating material	Polyamide 6.6 (PA 6.6)	
Flammability rating per UL 94	V0	
Lower limit temperature [C]	-60	C
Upper temperature limit [C]	105	C
Clamping spring material	Chrome-nickel spring steel (CrNi)	
Contact material	Electrolytic copper (Ecu)	
Contact plating	tin-plated	
Fire load [MJ]	1.001	MJ
Weight [g]	47.379	g
Width [mm]	82.5	mm
Width [in]	3.248	in
Height [mm]	25.5	mm
Altitude [in]	1.004	in
Length [mm]	26	mm
Length [in]	1.024	in
Pin spacing from [mm]	12.5	mm
Pin spacing from [in %]	0.492	in %