

Antenna - RAD-ISM-2400-ANT-OMNI-2-1-RSMA - 2701362

Please be informed that the data shown in this PDF Document is generated from our Online Catalog. Please find the complete data in the user's documentation. Our General Terms of Use for Downloads are valid (<http://phoenixcontact.com/download>)




Omnidirectional antenna, 2.4 GHz, gain: 2 dBi, polarization: linear, opening angle: h/v 360°/75°, degree of protection: IP65, connection: RSMA (male), incl. 1.5 m / 5 ft. connecting cable and mounting bracket for wall mounting

Why buy this product

- For freely mobile applications
- For multipoint or mesh connections

Key Commercial Data

Packing unit	1 STK
GTIN	 4 046356 743471
GTIN	4046356743471
Weight per Piece (excluding packing)	80.000 g
Custom tariff number	85177000
Country of origin	Germany

Technical data

Dimensions

Width	7.8 mm
Height	82.5 mm
Fixed cable length	1.50 m

Ambient conditions

Degree of protection	IP65
Ambient temperature (operation)	-20 °C ... 65 °C
Ambient temperature (storage/transport)	-30 °C ... 75 °C

Antenna - RAD-ISM-2400-ANT-OMNI-2-1-RSMA - 2701362

Technical data

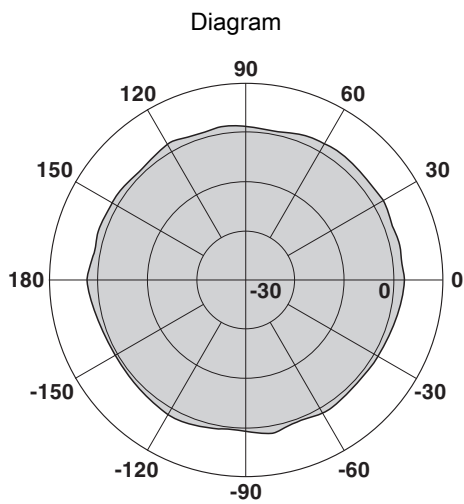
General

With connecting cable	yes
Frequency range	2.4 GHz
	2.4 GHz
Horizontal beamwidth	360 °
Vertical beamwidth	75 °
Polarization	Linear vertical
Impedance	50 Ω
Gain	2 dBi
Connection method	RSMA (male)
Fixed cable length	1.50 m
Smallest bending radius, fixed installation	25.4 mm
Cable, attenuation	2 dB
Material	Polyurethane (Antenna housing)
	Polycarbonate PC (Antenna foot)
	V2A (Bracket)
Mounting type	Wall mounting

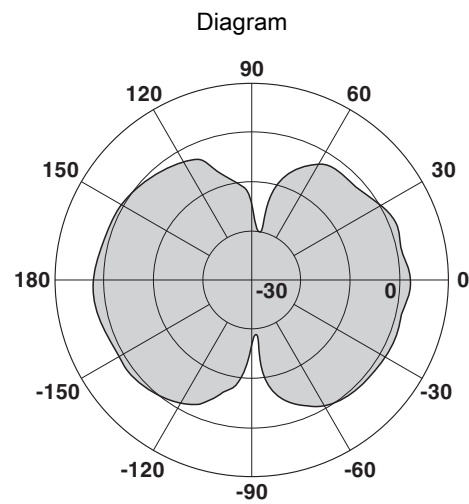
Environmental Product Compliance

China RoHS	Environmentally friendly use period: unlimited = EFUP-e
	No hazardous substances above threshold values

Drawings



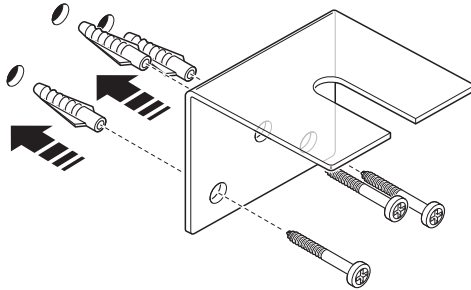
Horizontal



Vertical

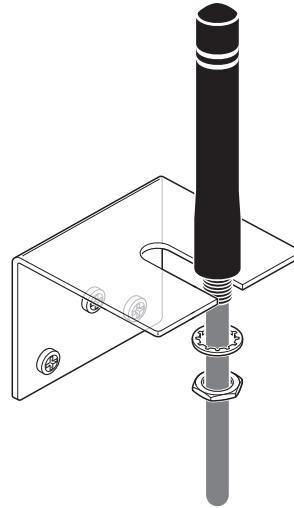
Antenna - RAD-ISM-2400-ANT-OMNI-2-1-RSMA - 2701362

Schematic diagram



Wall mounting

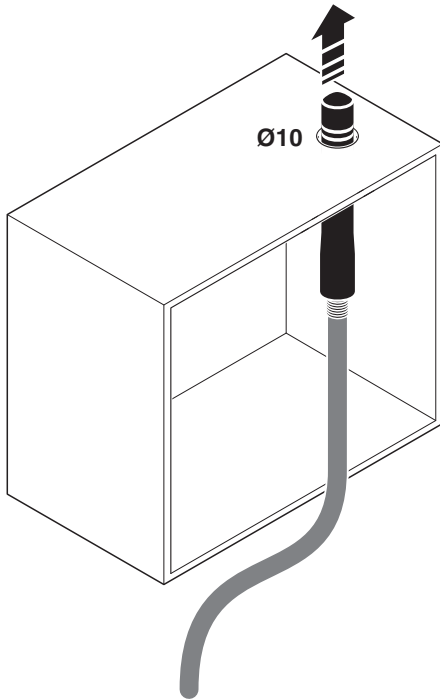
Schematic diagram



Wall mounting

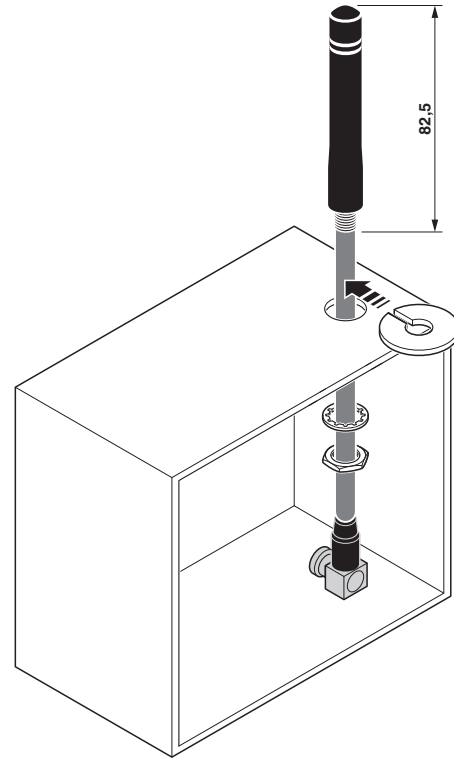
Antenna - RAD-ISM-2400-ANT-OMNI-2-1-RSMA - 2701362

Schematic diagram



Control cabinet feed-through

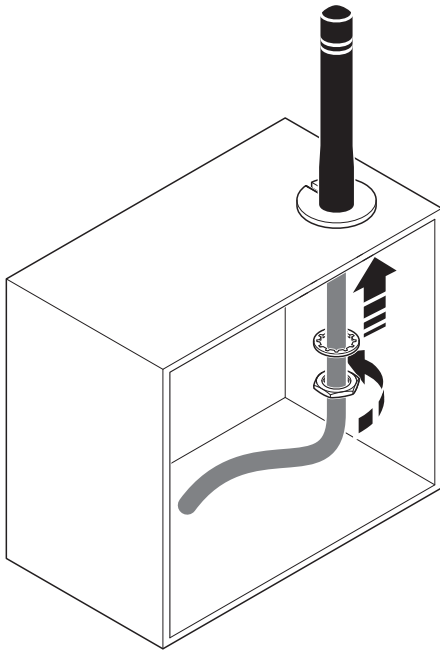
Schematic diagram



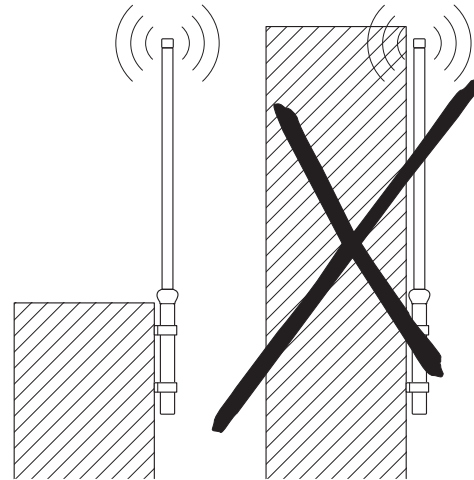
Mounting on the control cabinet

Antenna - RAD-ISM-2400-ANT-OMNI-2-1-RSMA - 2701362

Schematic diagram



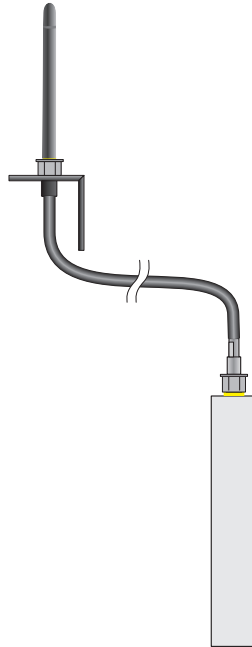
Schematic diagram



Mounting on the control cabinet

Antenna - RAD-ISM-2400-ANT-OMNI-2-1-RSMA - 2701362

Schematic diagram



Installation example

Classifications

eCl@ss

eCl@ss 4.0	27250312
eCl@ss 4.1	27250312
eCl@ss 5.0	19070102
eCl@ss 5.1	19070102
eCl@ss 6.0	19070102
eCl@ss 7.0	19070102
eCl@ss 8.0	19070105
eCl@ss 9.0	19070105

ETIM

ETIM 2.0	EC000416
ETIM 3.0	EC001698
ETIM 4.0	EC001698
ETIM 5.0	EC001698
ETIM 6.0	EC001698

Antenna - RAD-ISM-2400-ANT-OMNI-2-1-RSMA - 2701362

Classifications

UNSPSC

UNSPSC 6.01	43171611
UNSPSC 7.0901	43221706
UNSPSC 11	43171611
UNSPSC 12.01	43221706
UNSPSC 13.2	43221715