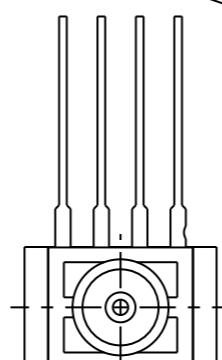
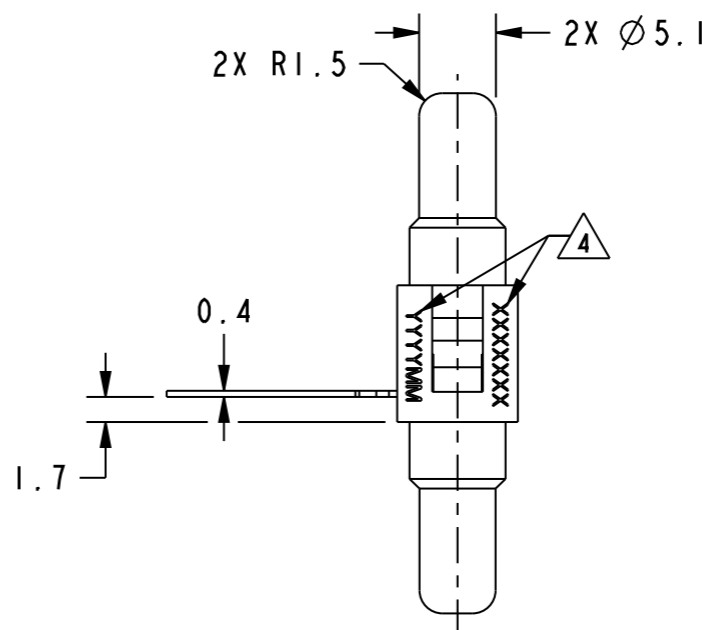
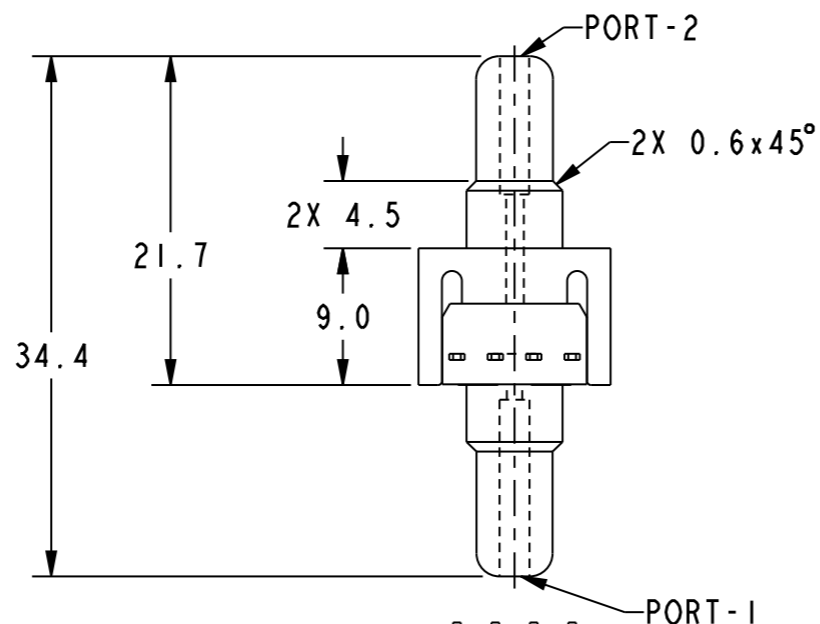
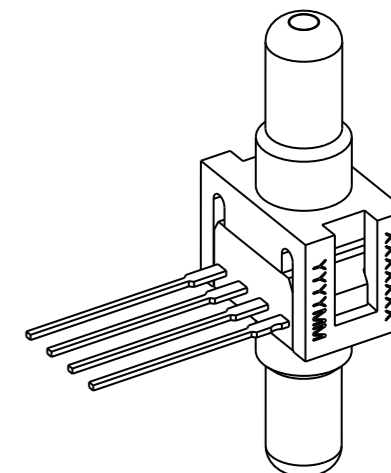
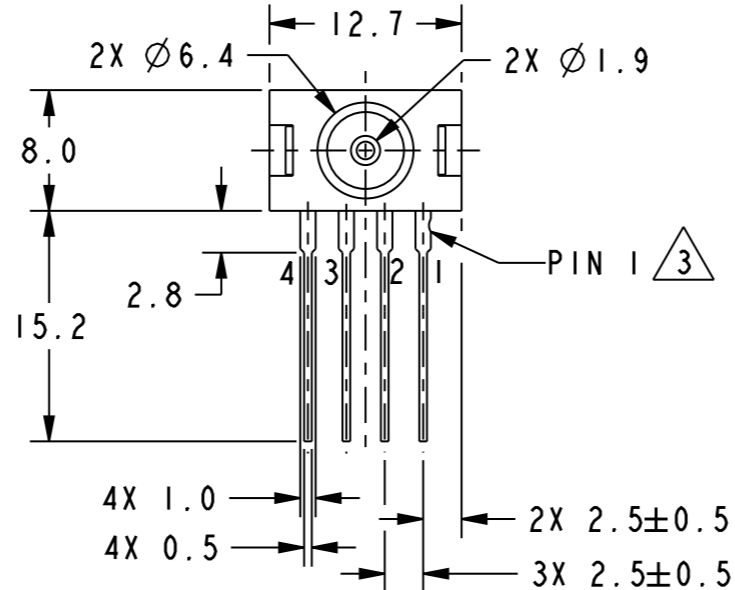


HONEYWELL
PART NUMBER

-

REV	DOCUMENT	CHANGED BY	CHECK
A	0062426	VKS 18MAR10	RS



NOTES:

- 1 - MATERIAL INFORMATION:
PORT: POLYETHERIMIDE 20% GF, COLOR-BLACK
HOUSING: POLYETHERIMIDE 20% GF, COLOR-BLACK
- 2 - TERMINAL: COPPER WITH NICKEL AND GOLD PLATING
- 3 - PIN-1 IS IDENTIFIED BY NOTCH IN TERMINAL
- 4 - REFER TO BRAND CODE - 6CF6D26 AND DATE CODE
YYYYMM HERE.
- 5 - MEDIA SEAL: FLUROSILICONE
- 6 - FOR ELECTRICAL CIRCUIT DIAGRAM AND OPERATING
CHARACTERISTICS, REFER DATA SHEET.

DESIGN UNITS: MM
TOLERANCES UNLESS NOTED:

NO PLACES	x	±	0.5
ONE PLACE	.x	±	0.25
TWO PLACE	.xx	±	0.13
THREE PLACE	.xxx	±	0.05
ANGLES	x	±	3.0°

THIRD ANGLE PROJECTION

DRAWN	VKS	20JAN10
CHECK	TP	20JAN10
THIS DRAWING COVERS A PROPRIETARY ITEM AND IS THE PROPERTY OF HONEYWELL. THIS DRAWING IS NOT TO BE COPIED OR USED WITHOUT THE PERMISSION OF HONEYWELL.		
INTERPRET PER ASME Y14.5M-1994 OTHER HONEYWELL ENGINEERING STANDARDS MAY APPLY		
Pro/ENGINEER	3D	

Honeywell				
TITLE 26PCCFA6D26 - INSTALLATION DRAWING				
SIZE	TYPE	CAGE_CODE	DRAWING NAME	REV
A3	1	-	26PCCFA6D26	A
SCALE 2:1		SHEET 1 OF 1		