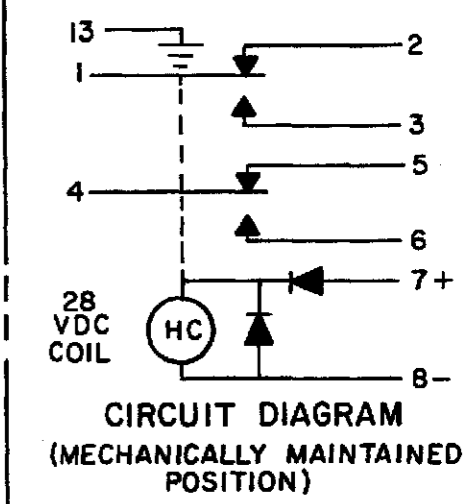


MICRO SWITCH
a Honeywell Division

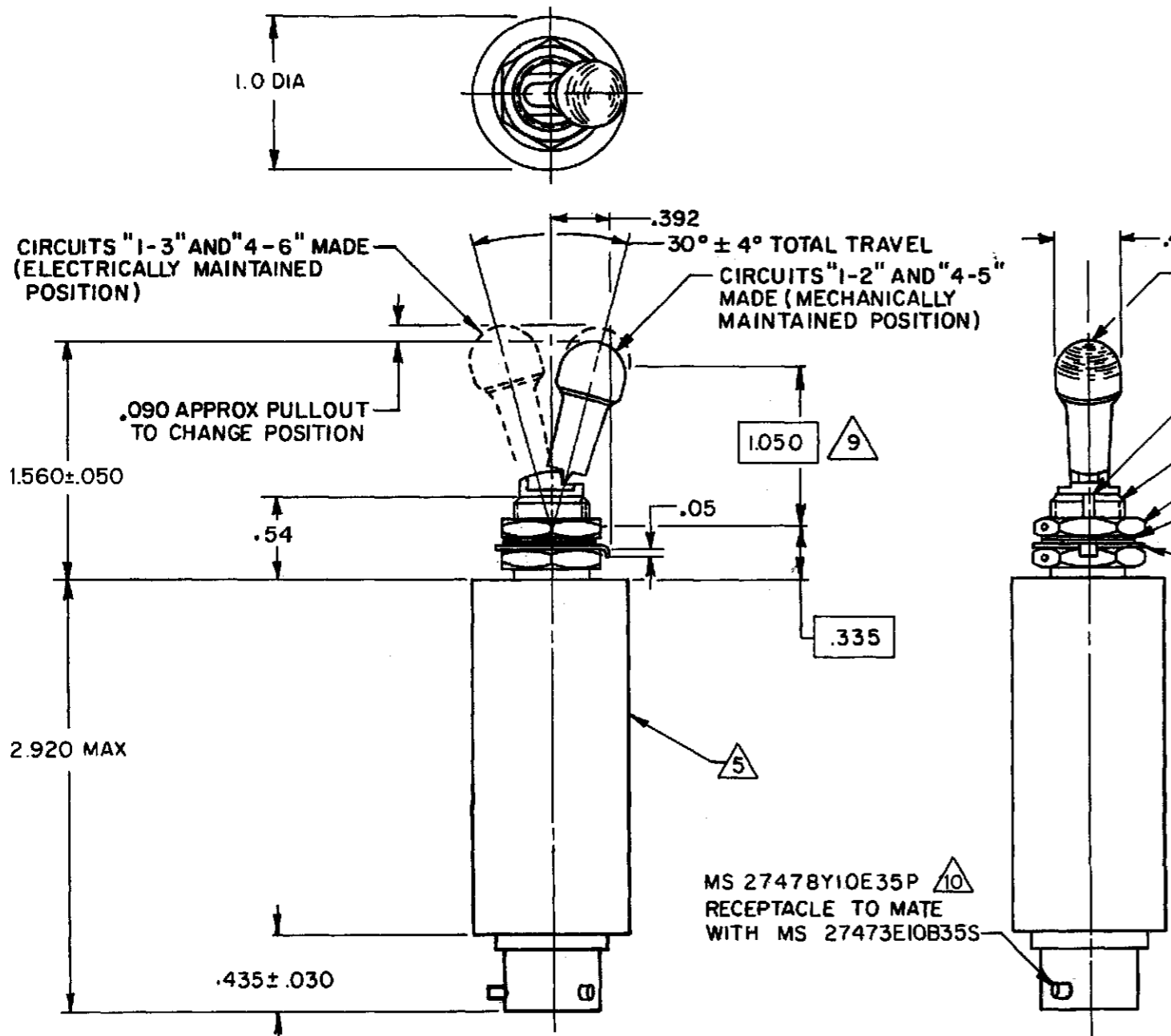
FED. MFG. CODE 91929

SWITCH - TOGGLE
(MAGNETIC HOLD-IN)

CATALOG LISTING
26ET96-R-G



CATALOG LISTING
26ET96-R-G
PAGE 1 OF 1
ISSUE **6**



- .072 ± .004 WIDE X .031 DEEP KEYWAY TO WITHIN .250 OF SHOULDER
- 15/32-32 UNS THREAD TO WITHIN .090 OF SHOULDER
- HEX NUT .559 ACROSS FLATS X .093 THICK (2) (MS25082-C2I) 8
- INTERNAL TOOTH LOCKWASHER .60 DIA. X .018 REF THICK (MS35333-136) 8
- KEYING WASHER (MS25081-C4) .72 DIA X .040 THICK, TAB .110 WIDE 8

- NOTES**
- 1 - EXPOSED PARTS ARE OF CORROSION RESISTANT MATERIAL OR ARE SUITABLY PROTECTED TO PREVENT CORROSION. ENCLOSURE FINISHED WITH BLUE EPOXY BASED ENAMEL COLOR NO. 25184 PER FEDERAL STANDARD 595
 - 2 - SWITCH SEALED PER MIL-S-5594
 - 3 - HOLD IN VOLTAGE: THE MINIMUM SPECIFIED VOLTAGE AT WHICH THE LEVER WILL REMAIN ACTUATED. HOLD IN MAY OCCUR AT A LOWER VALUE.
DROP OUT VOLTAGE: THE VOLTAGE RANGE IN WHICH THE LEVER WILL BE RELEASED
 - 4 - CIRCUITS CAN BE TRANSFERRED MANUALLY. ENERGIZING THE COIL WILL NOT CAUSE TRANSFER OF CIRCUITS
 - 5 - CIRCUIT IDENTIFICATION IS SHOWN ON SWITCH
 - 6 - SWITCHES DO NOT NECESSARILY OPERATE SIMULTANEOUSLY
 - 7 - THE DIODES ARE JANTXV TYPE AND LIMIT THE EMI: SPIKES (TRANSIENTS OF DURATION LESS THAN 500 MICRO SECONDS) GENERATED BY THE SWITCH COIL SHALL NOT EXCEED +42 VOLTS OR -14 VOLTS ABSOLUTE
 - 8 - HARDWARE MAYBE FURNISHED UNASSEMBLED PER MIL-S-5594
 - 9 - FORCE TO BE APPLIED AT THIS POINT IN A DIRECTION PERPENDICULAR TO THE LEVER LONGITUDINAL AXIS
 - 10 - POLARIZING KEY IN LINE WITH KEYWAY WITHIN ± 10°

REVISIONS

A	CO-79565	G J W	7 AUG 96
B	CO-92588	C S L	12 MAR 98

CHECK M A M 14 AUG 96

FORMTEK
DRAWN G J W 7 AUG 96

THIS DRAWING COVERS A PROPRIETARY ITEM AND IS THE PROPERTY OF MICRO SWITCH, A DIVISION OF HONEYWELL. THIS DRAWING IS NOT TO BE COPIED OR USED WITHOUT THE APPROVAL OF MICRO SWITCH

CHARACTERISTICS	ELECTRICAL DATA					
	CONTACT ARRANGEMENT S P D T (2)					
SOLENOID RATING AT 20°	RATING IN AMPERES					
STEADY STATE LIMITS ----- 20-30 VDC	SEA LEVEL		65,000 FT			
HOLD IN ----- 15 VDC	RES	IND	MOTOR	RES	IND	MOTOR
DROP OUT ----- 0.5-15 VDC	4	2.5	4	4	2.0	4
OVERRIDE FORCE AT 30 VDC 9 2.5-10 LB						
OPERATING FORCE ----- 9 --7 LB MAX						
COIL RESISTANCE ----- 220 OHM MIN						
PULL TO UNLOCK ----- 3-5 LBS						

THIRD ANGLE PROJECTION

SCALE FULL

DO NOT SCALE PRINT

UNLESS OTHERWISE SPECIFIED TOLERANCES ARE

ONE PLACE	(.0)	±.030
TWO PLACE	(.00)	±.015
THREE PLACE	(.000)	±.005
ANGLES		±

WEIGHT 7.0 OZ MAX