

MICRO SWITCH

A DIVISION OF MINNEAPOLIS-HONEYWELL REGULATOR COMPANY
 FREEPORT, ILLINOIS
 FED. MFR. CODE 91929

**SWITCH - TOGGLE
 (MAGNETIC HOLD-IN)**

CATALOG LISTING
26ET55-2

M 26ET55-2

DRAWING NUMBER

ISSUE **X 5**

CHECK

REVISIONS

A	CORR - CO 35817
B	GLH 28 JUL 75 CO 50162
D	WJM 6 OCT 81 CO 053401
E	J A P 17 MAR 84 CO 0041615

MBH 14 JUL 08

CHECK

CHECK

CHECK

CHECK

CHECK

CHECK

CHECK

CHECK

CHECK

CHECK

CHECK

CHECK

CHECK

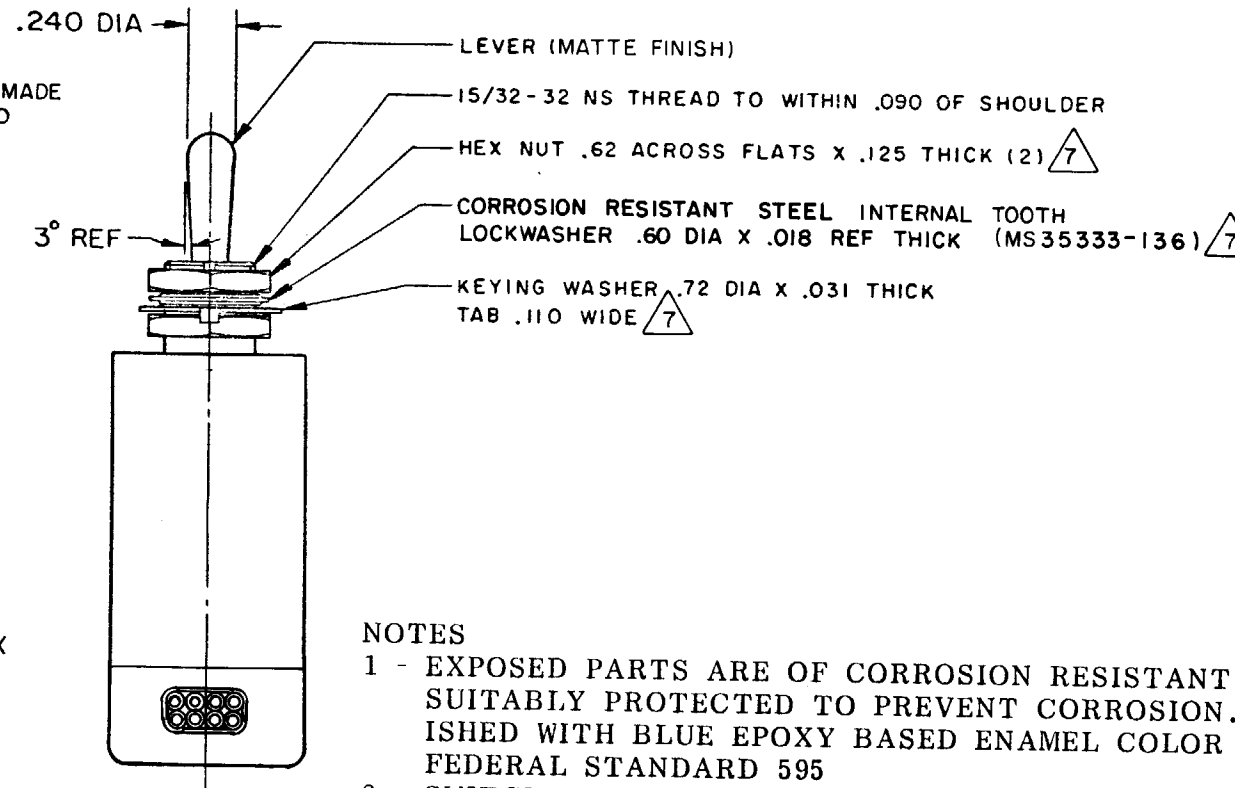
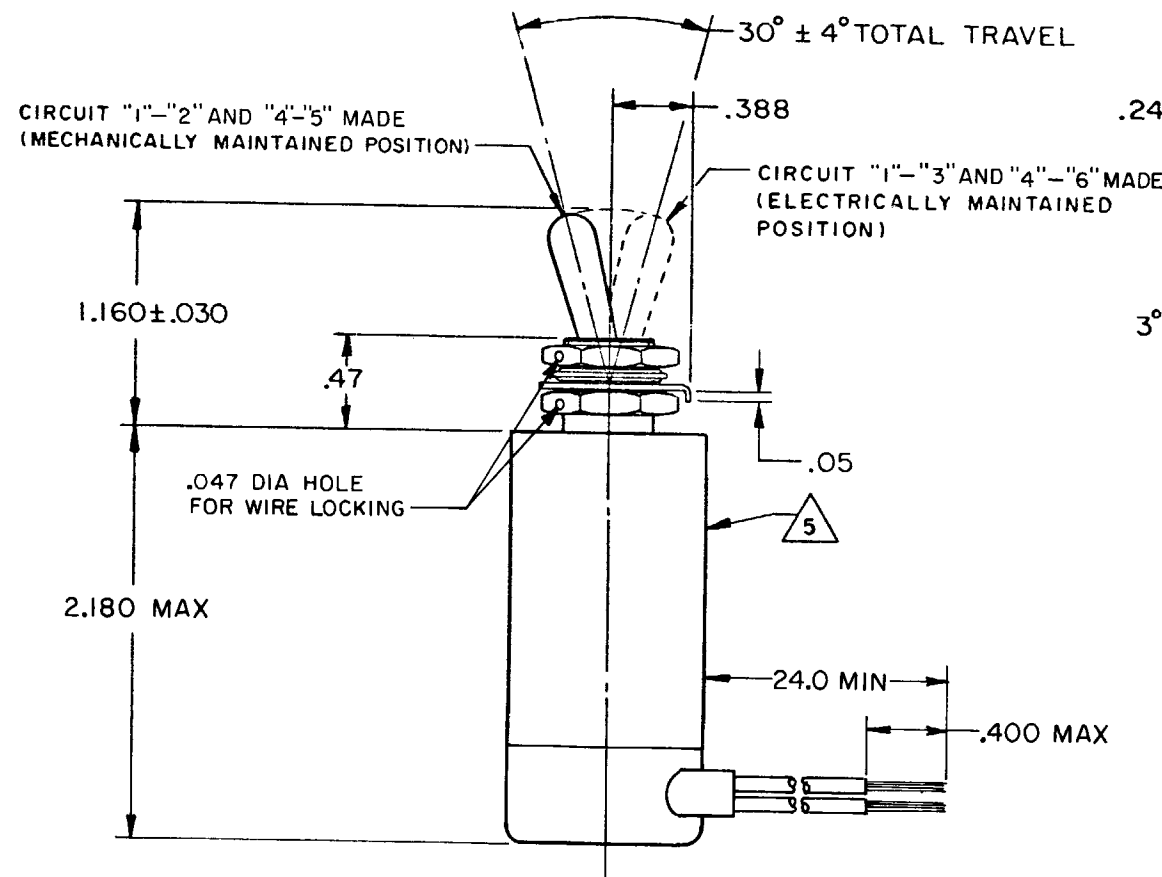
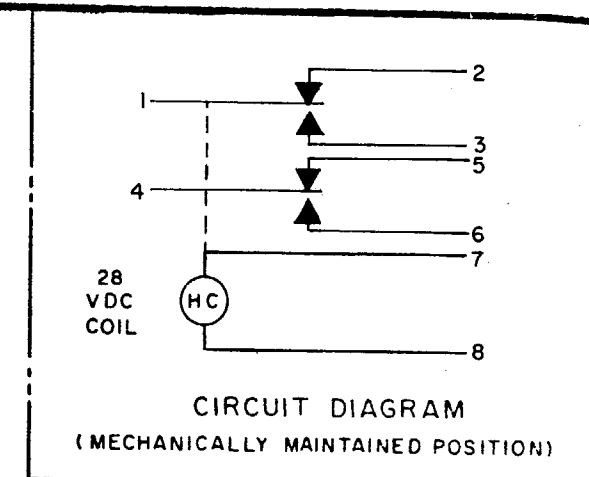
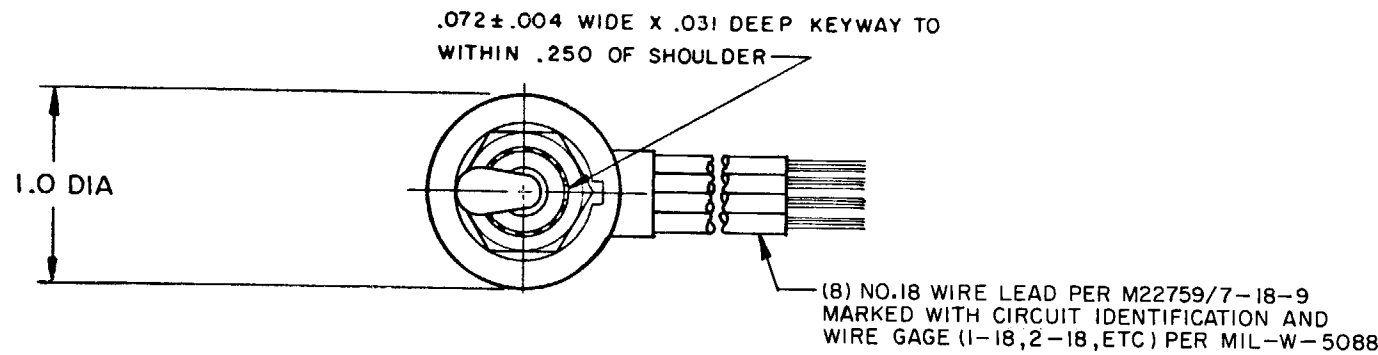
CHECK

CHECK

CHECK

CHECK

CHECK



- NOTES
- 1 - EXPOSED PARTS ARE OF CORROSION RESISTANT MATERIAL OR ARE SUITABLY PROTECTED TO PREVENT CORROSION. ENCLOSURE FINISHED WITH BLUE EPOXY BASED ENAMEL COLOR NO. 25184 PER FEDERAL STANDARD 595
 - 2 - SWITCH SEALED PER MIL-S-5594
 - 3 - HOLD IN VOLTAGE: THE MINIMUM SPECIFIED VOLTAGE AT WHICH THE LEVER WILL REMAIN ACTUATED. HOLD IN MAY OCCUR AT A LOWER VALUE.
 DROP OUT VOLTAGE: THE VOLTAGE RANGE IN WHICH THE LEVER WILL BE RELEASED
 - 4 - CIRCUITS CAN BE TRANSFERRED MANUALLY. ENERGIZING THE COIL WILL NOT CAUSE TRANSFER OF CIRCUITS
 - 5 - CIRCUIT IDENTIFICATION IS SHOWN ON SWITCH
 - 6 - SWITCHES DO NOT NECESSARILY OPERATE SIMULTANEOUSLY
 - 7 - HARDWARE MAYBE FURNISHED UNASSEMBLED PER MIL-S-5594

THIS DRAWING COVERS A PROPRIETARY ITEM AND IS THE PROPERTY OF MICRO SWITCH, A DIVISION OF MINNEAPOLIS-HONEYWELL REGULATOR CO. THIS DRAWING IS NOT TO BE COPIED OR USED WITHOUT THE APPROVAL OF MICRO SWITCH.

CHARACTERISTICS	ELECTRICAL DATA	SCALE FULL
SOLENOID RATING AT 20° C	CONTACT ARRANGEMENT S P D T (2)	DO NOT SCALE PRINT
STEADY STATE LIMITS----- 20-29 VDC	RATING IN AMPERES	UNLESS OTHERWISE SPECIFIED DIMENSIONS ARE IN INCHES
HOLD IN 3----- 15 VDC	VOLTAGE	TOLERANCES ARE:
DROP OUT 3----- 0-15 VDC	SEA LEVEL	ONE PLACE (.0) ±.030
OVERRIDE FORCE AT 29 VDC--- 10 LB MAX	65,000 FT	TWO PLACE (.00) ±.015
OPERATING FORCE----- 7 LB MAX	RES IND MOTOR	THREE PLACE (.000) ±.005
COIL RESISTANCE----- 220 OHM MIN	28 VOLTS DC	ANGLES ±
		WEIGHT 7.5 OZ MAX

FO-90376-003

DRAWN

R E R 2 JUN 75

CHECK

CHECK

CHECK

CHECK

CHECK

CHECK

CHECK

CHECK

CHECK

CHECK

CHECK

CHECK

CHECK

CHECK

CHECK

CHECK

CHECK

CHECK