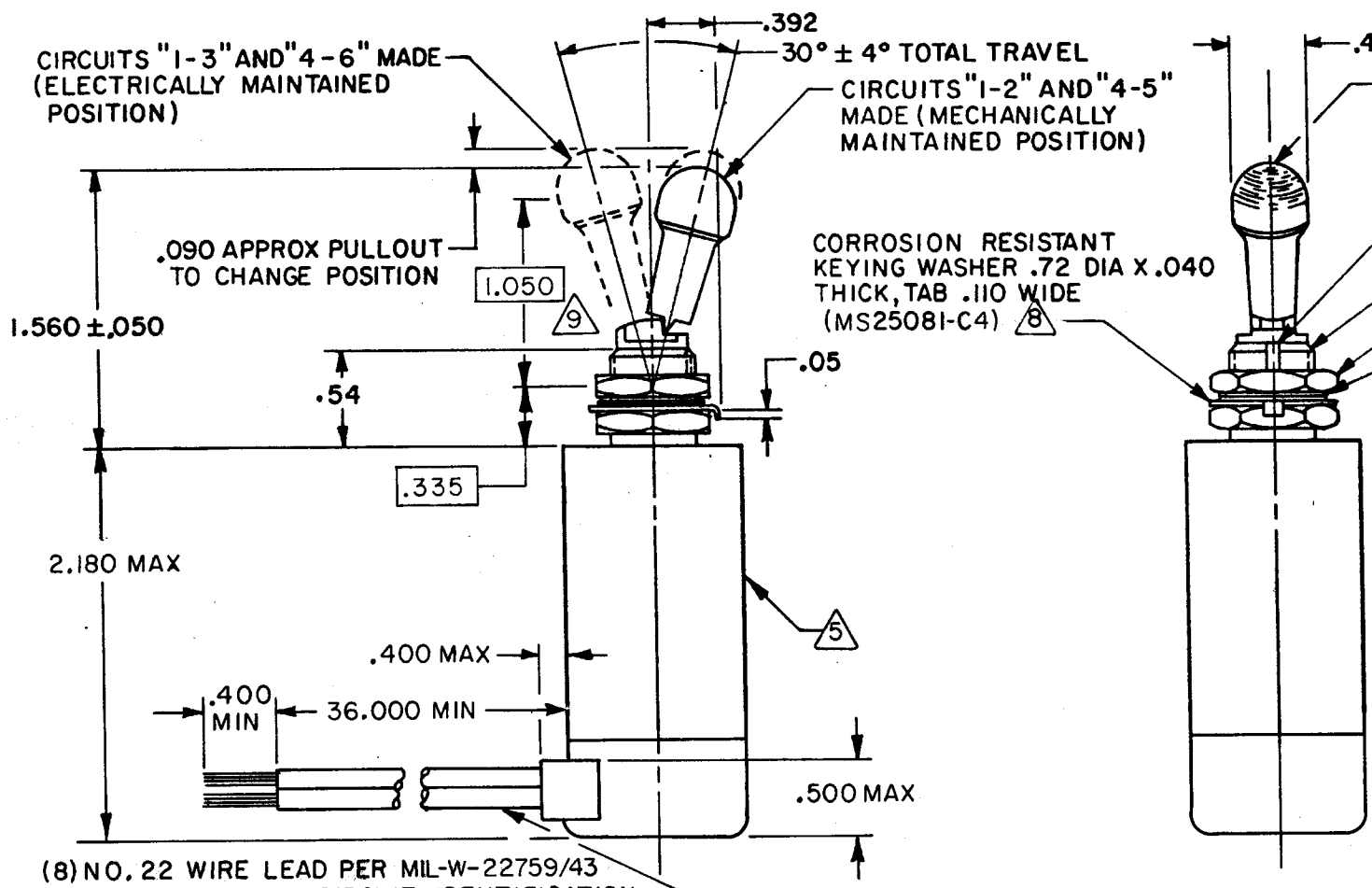
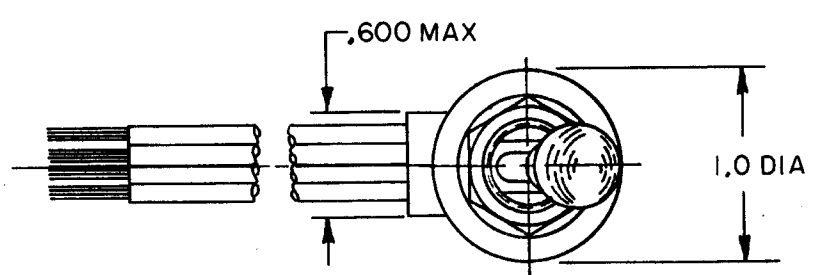
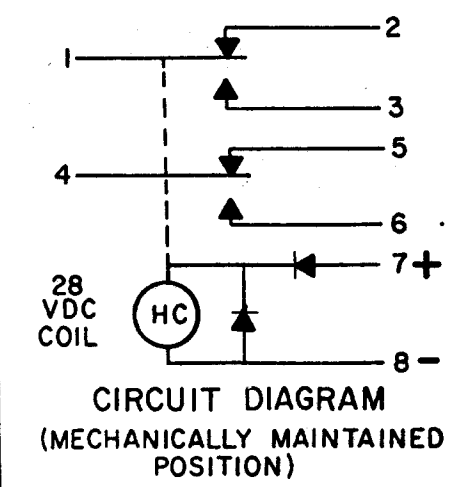


MICRO SWITCH
 FREEPORT ILLINOIS U S A
 A DIVISION OF HONEYWELL
 FED. MFG. CODE 91929

SWITCH - TOGGLE
(MAGNETIC HOLD-IN)

CATALOG LISTING
26ET30-3-G
5M1031-5



- NOTES**
- 1 - EXPOSED PARTS ARE OF CORROSION RESISTANT MATERIAL OR ARE SUITABLY PROTECTED TO PREVENT CORROSION. ENCLOSURE FINISHED WITH BLUE EPOXY BASED ENAMEL COLOR NO. 25184 PER FEDERAL STANDARD 595
 - 2 - SWITCH SEALED PER MIL-S-5594
 - 3 - HOLD IN VOLTAGE: THE MINIMUM SPECIFIED VOLTAGE AT WHICH THE LEVER WILL REMAIN ACTUATED. HOLD IN MAY OCCUR AT A LOWER VALUE.
 DROP OUT VOLTAGE: THE VOLTAGE RANGE IN WHICH THE LEVER WILL BE RELEASED
 - 4 - CIRCUITS CAN BE TRANSFERRED MANUALLY. ENERGIZING THE COIL WILL NOT CAUSE TRANSFER OF CIRCUITS
 - 5 - CIRCUIT IDENTIFICATION IS SHOWN ON SWITCH
 - 6 - SWITCHES DO NOT NECESSARILY OPERATE SIMULTANEOUSLY
 - 7 - THE DIODES ARE JANTXV TYPE AND LIMIT THE EMI: SPIKES (TRANSIENTS OF DURATION LESS THAN 500 MICRO SECONDS) GENERATED BY THE SWITCH COIL SHALL NOT EXCEED +42 VOLTS OR -14 VOLTS ABSOLUTE
 - 8 - HARDWARE MAY BE FURNISHED UNASSEMBLED PER MIL-S-5594
 - 9 - FORCE TO BE APPLIED AT THIS POINT IN A DIRECTION PERPENDICULAR TO THE LEVER LONGITUDINAL AXIS

26ET30-3-G		REPLACES
M	DRAWING NUMBER	PR-8307
12	ISSUE	
REVISIONS		
A	PR8307	7 JAN 80
B	CO49806	24 SEPT 81
C	CO51336	28 APR 82
D	CO53401	15 MAR 84
E	CO55225	28 JUN 84
F	CO58285	10 JAN 86
G	CO59021A	27 FEB 86
H	CO70663	14 SEP 91
J	CO80223	30 MAY 95
FO-92851-A		
DRAWN		
S L B 7 JAN 80		

THIS DRAWING COVERS A PROPRIETARY ITEM AND IS THE PROPERTY OF MICRO SWITCH, A DIVISION OF HONEYWELL. THIS DRAWING IS NOT TO BE COPIED OR USED WITHOUT THE APPROVAL OF MICRO SWITCH.		THIRD ANGLE PROJECTION	SCALE FULL
DO NOT SCALE PRINT		TOLERANCES	
APPLY TO DESIGN UNITS. CONVERSIONS ARE ONLY FOR REFERENCE. UNLESS NOTED, TOLERANCES ARE:		DIM. TOL. DIM. TOL.	
		mm mm/in in mm/in	
NO PLACES X 1/04		X X 0.01/03	
ONE PLACE X,X 0.4/018		X,X 0.38/018	
TWO PLACES X,XX 0.16/008		X,XXX 0.16/005	
THREE PLACES X,XXX		X,XXX	
ANGLES		SI METRIC US CUSTOMARY	
DESIGN UNITS		RAW MATERIAL-COMMERCIAL STANDARD MICRO SWITCH STANDARDS APPLY	
DIMENSIONS ARE TO BE MET BEFORE PROTECTIVE COATINGS ARE APPLIED		WEIGHT 8.0 OZ MAX	
CHARACTERISTICS		ELECTRICAL DATA	
SOLENOID RATING AT 20° C		CONTACT ARRANGEMENT	
STEADY STATE LIMITS --- 20-30 VDC		S P D T (2)	
HOLD IN --- 15 VDC		RATINGS IN AMPERES	
DROP OUT --- 1.5-15 VDC		SEA LEVEL 65,000 FT	
OVERRIDE FORCE AT 30VDC --- 2.5-10 LB MAX		VOLTAGE	
OPERATING FORCE --- 7 LB MAX		28 VDC	
COIL RESISTANCE --- 220 OHM MIN		RES IND MOTOR	
PULL TO UNLOCK --- 3-5 LB		4 2.5 4	

TOOL DEV NO
 55
 65
 FLASH
 BREAKAGE CHIPS & CRACKS