

I/O module - AXL F DO8/2 2A 1H - 2688381

Please be informed that the data shown in this PDF Document is generated from our Online Catalog. Please find the complete data in the user's documentation. Our General Terms of Use for Downloads are valid (<http://phoenixcontact.com/download>)



Axioline F, Digital output module, Digital outputs: 8, 24 V DC, 2 A, connection method: 2-wire, transmission speed in the local bus: 100 Mbps, degree of protection: IP20, including bus base module and Axioline F connectors


Product Description

The module is designed for use within an Axioline F station. It is used to output digital signals. The outputs are protected against short circuit and overload.

Why buy this product

- 8 digital outputs
- 24 V DC, 2 A
- Connection of actuators in 2-wire technology
- Minimum update time of < 150 μ s
- Device rating plate stored

Key Commercial Data

Packing unit	1 STK
GTIN	 4 046356 606479
GTIN	4046356606479
Weight per Piece (excluding packing)	180.000 g
Custom tariff number	85389091
Country of origin	Germany

Technical data

Dimensions

Width	35 mm
Height	126.1 mm

I/O module - AXL F DO8/2 2A 1H - 2688381

Technical data

Dimensions

Depth	54 mm
Note on dimensions	The depth is valid when a TH 35-7.5 DIN rail is used (according to EN 60715).

Ambient conditions

Ambient temperature (operation)	-25 °C ... 60 °C
Ambient temperature (storage/transport)	-40 °C ... 85 °C
Permissible humidity (operation)	5 % ... 95 % (non-condensing)
Permissible humidity (storage/transport)	5 % ... 95 % (non-condensing)
Air pressure (operation)	70 kPa ... 106 kPa (up to 3000 m above sea level)
Air pressure (storage/transport)	70 kPa ... 106 kPa (up to 3000 m above sea level)
Degree of protection	IP20

Connection data

Designation	Axioline F connector
Connection method	Push-in connection
Note on the connection method	Please observe the information provided on conductor cross sections in the "Axioline F: system and installation" user manual.
Conductor cross section solid min.	0.5 mm ²
Conductor cross section solid max.	1.5 mm ²
Conductor cross section flexible min.	0.5 mm ²
Conductor cross section flexible max.	1.5 mm ²
Conductor cross section AWG min.	20
Conductor cross section AWG max.	16
Stripping length	8 mm

General

Mounting type	DIN rail
Net weight	189 g
Note on weight specifications	with connectors and bus base module

Interfaces

Designation	Axioline F local bus
No. of channels	2
Connection method	Bus base module
Transmission speed	100 Mbps

Axioline potentials

Designation	Supply of the Axioline F local bus U_{BUS}
Supply voltage	5 V DC (via bus base module)
Current consumption	max. 150 mA

I/O module - AXL F DO8/2 2A 1H - 2688381

Technical data

Axioline potentials

Power consumption	max. 750 mW
Designation	Supply for digital output modules U _o
Supply voltage	24 V DC
Supply voltage range	19.2 V DC ... 30 V DC (including all tolerances, including ripple)
Current consumption	max. 16 A (Provide external protection; if the total current of 8 A is exceeded, connect the supply at the power connector parallel via both terminal points.)
Power consumption	max. 480 W (of which 625 mW with internal losses)
Type of protection	Surge protection of the supply voltage
	Polarity reversal protection of the supply voltage
Protection	max. 16 A (polarity reversal protection up to 5 A)

Digital outputs

Output name	Digital outputs
Connection method	Push-in connection
Connection technology	2-wire
Number of outputs	8
Type of protection	Short-circuit protection, overload protection of the outputs
Output voltage	24 V
Nominal output voltage	24 V DC
Maximum output current per channel	2 A
Maximum output current per module	16 A (external fuse)
Nominal load, inductive	max. 48 VA (1.2 H, 12 Ω, at nominal load)
Nominal load, lamp	max. 48 W (at nominal voltage)
Nominal load, ohmic	max. 48 W (12 Ω, at nominal load)

Electrical isolation

Test section	5 V communications power (logic), 24 V supply (I/O) 500 V AC 50 Hz 1 min.
	5 V supply (logic)/functional earth ground 500 V AC 50 Hz 1 min.
	24 V supply (I/O) / functional earth ground 500 V AC 50 Hz 1 min.

Standards and Regulations

Mechanical tests	Vibration resistance in acc. with EN 60068-2-6/IEC 60068-2-6 5g
	Shock in acc. with EN 60068-2-27/IEC 60068-2-27 30g
	Continuous shock according to EN 60068-2-27/IEC 60068-2-27 10g
Protection class	III, IEC 61140, EN 61140, VDE 0140-1

Environmental Product Compliance

China RoHS	Environmentally friendly use period: unlimited = EFUP-e
------------	---

I/O module - AXL F DO8/2 2A 1H - 2688381

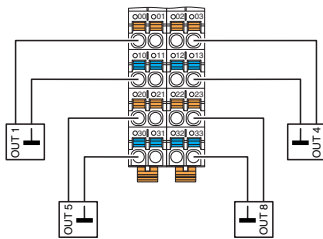
Technical data

Environmental Product Compliance

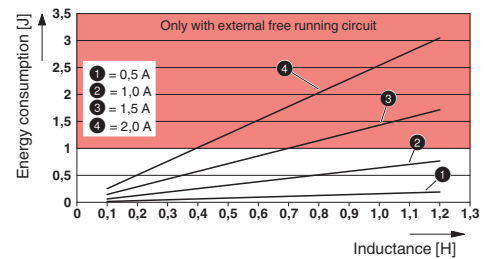
	No hazardous substances above threshold values
--	--

Drawings

Connection diagram

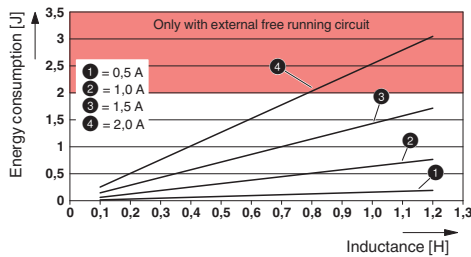


Diagram



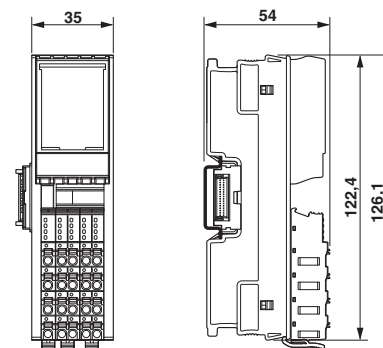
Maximum energy consumption of the outputs when switching off inductive loads with 100 % simultaneity

Diagram



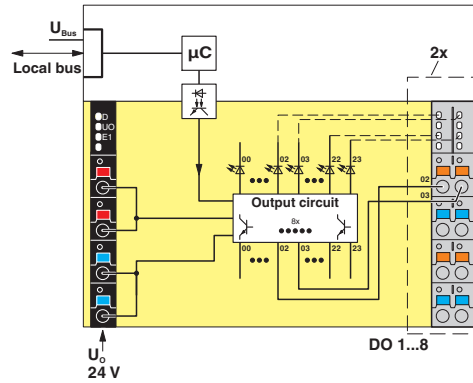
Maximum energy consumption of the outputs when switching off inductive loads with 50 % simultaneity

Dimensional drawing



I/O module - AXL F DO8/2 2A 1H - 2688381

Block diagram



Internal wiring of the terminal points

Classifications

eCl@ss

eCl@ss 4.0	27240404
eCl@ss 4.1	27240404
eCl@ss 5.0	27242204
eCl@ss 5.1	27242604
eCl@ss 6.0	27242604
eCl@ss 7.0	27242604
eCl@ss 8.0	27242604
eCl@ss 9.0	27242604

ETIM

ETIM 3.0	EC001599
ETIM 4.0	EC001599
ETIM 5.0	EC001599
ETIM 6.0	EC001599

UNSPSC

UNSPSC 6.01	43172015
UNSPSC 7.0901	43201404
UNSPSC 11	39121311
UNSPSC 12.01	39121311
UNSPSC 13.2	32151602

I/O module - AXL F DO8/2 2A 1H - 2688381

Approvals

Approvals

Approvals

UL Listed / cUL Listed / EAC / BSH / RINA / NK / BSH / DNV GL / ABS / KR / cULus Listed

Ex Approvals

Approval details

UL Listed		http://database.ul.com/cgi-bin/XYV/template/LISEXT/1FRAME/index.htm	FILE E 238705
cUL Listed		http://database.ul.com/cgi-bin/XYV/template/LISEXT/1FRAME/index.htm	FILE E 238705
EAC			EAC-Zulassung
BSH		http://www.bsh.de/de/index.jsp	840
RINA		http://www.rina.org/en	ELE0078216XG
NK		http://www.classnk.or.jp/hp/en/	14A006
BSH		http://www.bsh.de/de/index.jsp	840
DNV GL		http://exchange.dnv.com/tari/	TAA00000DF
ABS		http://www.eagle.org/eagleExternalPortalWEB/	17-HG1669996-PDA

I/O module - AXL F DO8/2 2A 1H - 2688381

Approvals

KR		http://www.krs.co.kr/eng/main/main.aspx	HMB17372-AC002
----	--	---	----------------

cULus Listed			
--------------	--	--	--

Accessories

Accessories

Connector set

Connector set - AXL CNS 2L-OBOB/D/UO/E1 - 2700987



Axiline F connector set (for e.g., AXL F DO8/2 2A 1H)

Device marking

Insert label - EMT (35X28)R - 0801602



Insert label, Roll, white, unlabeled, can be labeled with: THERMOMARK ROLL, THERMOMARK ROLL X1, THERMOMARK ROLLMASTER 300/600, THERMOMARK X1.2, THERMOMARK S1.1, mounting type: snapped into marker carrier, lettering field size: 35 x 28 mm

DIN rail connector

Bus connector - AXL F BS H - 2700992



Axiline F bus base module for housing type H

Terminal marking

I/O module - AXL F DO8/2 2A 1H - 2688381

Accessories

Zack marker strip - ZB 20,3 AXL UNPRINTED - 0829579



Zack marker strip for Axiline F (device labeling), in 2 x 20.3 mm pitch, unprinted, 25-section, for individual labeling with B-STIFT 0.8, X-PEN, or CMS-P1-PLOTTER

Zack Marker strip, flat - ZBF 10/5,8 AXL UNPRINTED - 0829580



Zack marker strip, flat, in 10 mm pitch, unprinted, 10-section, for individual labeling with M-PEN 0,8, X-PEN, or CMS-P1-PLOTTER
