

I/O module - AXL F DI32/1 1F - 2688035

Please be informed that the data shown in this PDF Document is generated from our Online Catalog. Please find the complete data in the user's documentation. Our General Terms of Use for Downloads are valid (<http://phoenixcontact.com/download>)



Axioline F, Digital input module, Digital inputs: 32, 24 V DC, connection method: 1-wire, transmission speed in the local bus: 100 Mbps, degree of protection: IP20, including bus base module and Axioline F connectors

Product Description

The module is designed for use within an Axioline F station.

It is used to acquire digital signals.

You can adjust the filter times of the inputs to increase noise immunity.

Filter times of 100 μ s enable you to implement a counter function with a maximum input frequency of 5 kHz in the application.

Why buy this product

- 32 digital inputs according to EN 61131-2 type 1 and type 3
- 24 V DC, 2.4 mA
- Connection of sensors in single-wire technology
- Minimum update time of < 100 μ s
- Filter times can be adjusted in three increments: < 100 μ s, 1000 μ s or 3000 μ s
- Maximum input frequency: 5 kHz
- Device rating plate stored
- Diagnostic and status indicators



Key Commercial Data

Packing unit	1 STK
GTIN	
GTIN	4046356501590
Weight per Piece (excluding packing)	220.000 g
Custom tariff number	85389091
Country of origin	Germany

I/O module - AXL F DI32/1 1F - 2688035

Technical data

Dimensions

Width	53.6 mm
Height	126.1 mm
Depth	54 mm
Note on dimensions	The depth is valid when a TH 35-7.5 DIN rail is used (according to EN 60715).

Ambient conditions

Ambient temperature (operation)	-25 °C ... 60 °C
Ambient temperature (storage/transport)	-40 °C ... 85 °C
Permissible humidity (operation)	5 % ... 95 % (non-condensing)
Permissible humidity (storage/transport)	5 % ... 95 % (non-condensing)
Air pressure (operation)	70 kPa ... 106 kPa (up to 3000 m above sea level)
Air pressure (storage/transport)	70 kPa ... 106 kPa (up to 3000 m above sea level)
Degree of protection	IP20

Connection data

Designation	Axioline F connector
Connection method	Push-in connection
Note on the connection method	Please observe the information provided on conductor cross sections in the "Axioline F: system and installation" user manual.
Conductor cross section solid min.	0.2 mm ²
Conductor cross section solid max.	1.5 mm ²
Conductor cross section flexible min.	0.2 mm ²
Conductor cross section flexible max.	1.5 mm ²
Conductor cross section AWG min.	24
Conductor cross section AWG max.	16
Stripping length	8 mm

General

Mounting type	DIN rail
Net weight	238.3 g
Note on weight specifications	with connectors and bus base module
Diagnostics messages	I/O supply failure Yes

Interfaces

Designation	Axioline F local bus
No. of channels	2
Connection method	Bus base module
Transmission speed	100 Mbps

I/O module - AXL F DI32/1 1F - 2688035

Technical data

Axioline potentials

Designation	Supply of the Axioline F local bus U_{BUS}
Supply voltage	5 V DC (via bus base module)
Current consumption	max. 120 mA
Power consumption	max. 600 mW
Designation	Supply for digital input modules U_I
Supply voltage	24 V DC
Supply voltage range	19.2 V DC ... 30 V DC (including all tolerances, including ripple)
Current consumption	max. 50 mA
Power consumption	max. 1.2 W
Type of protection	Surge protection of the supply voltage
	Polarity reversal protection of the supply voltage
Protection	max. 8 A (polarity reversal protection up to 5 A)

Digital inputs

Input name	Digital inputs
Description of the input	EN 61131-2 types 1 and 3
Connection method	Push-in connection
Connection technology	1-wire
Number of inputs	32
Type of protection	Polarity reversal protection of the inputs
Input filter time	3000 μ s (default)
Input voltage range "0" signal	-3 V DC ... 5 V DC
Input voltage range "1" signal	11 V DC ... 30 V DC
Nominal input current at U_{IN}	2.4 mA

Electrical isolation

Test section	5 V communications power (logic), 24 V supply (I/O) 500 V AC 50 Hz 1 min.
	5 V supply (logic)/functional earth ground 500 V AC 50 Hz 1 min.
	24 V supply (I/O) / functional earth ground 500 V AC 50 Hz 1 min.

Standards and Regulations

Mechanical tests	Vibration resistance in acc. with EN 60068-2-6/IEC 60068-2-6 5g
	Shock in acc. with EN 60068-2-27/IEC 60068-2-27 30g
	Continuous shock according to EN 60068-2-27/IEC 60068-2-27 10g
Protection class	III, IEC 61140, EN 61140, VDE 0140-1

Environmental Product Compliance

China RoHS	Environmentally friendly use period: unlimited = EFUP-e
------------	---

I/O module - AXL F DI32/1 1F - 2688035

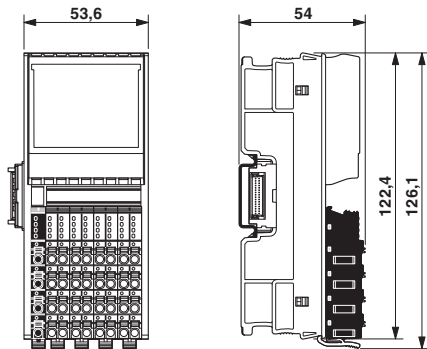
Technical data

Environmental Product Compliance

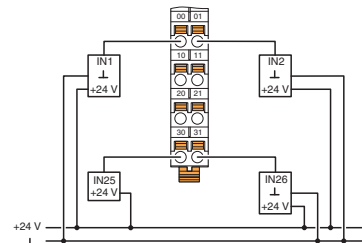
	No hazardous substances above threshold values
--	--

Drawings

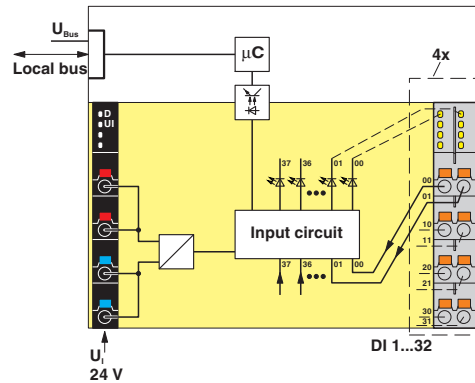
Dimensional drawing



Connection diagram



Block diagram



Internal wiring of the terminal points

Classifications

eCl@ss

eCl@ss 4.0	27240404
eCl@ss 4.1	27240404
eCl@ss 5.0	27242204
eCl@ss 5.1	27242604
eCl@ss 6.0	27242604

I/O module - AXL F DI32/1 1F - 2688035

Classifications

eCl@ss

eCl@ss 7.0	27242604
eCl@ss 8.0	27242604
eCl@ss 9.0	27242604

ETIM

ETIM 3.0	EC001599
ETIM 4.0	EC001599
ETIM 5.0	EC001599
ETIM 6.0	EC001599

UNSPSC

UNSPSC 6.01	43172015
UNSPSC 7.0901	43201404
UNSPSC 11	39121311
UNSPSC 12.01	39121311
UNSPSC 13.2	32151602

Approvals


Approvals

Approvals

UL Listed / cUL Listed / BSH / LR / BV / ABS / EAC / DNV GL / PRS / RINA / BSH / KR / cULus Listed

Ex Approvals

Approval details

UL Listed		http://database.ul.com/cgi-bin/XYV/template/LISEXT/1FRAME/index.htm	FILE E 238705
-----------	---	---	---------------

cUL Listed		http://database.ul.com/cgi-bin/XYV/template/LISEXT/1FRAME/index.htm	FILE E 238705
------------	---	---	---------------

BSH	http://www.bsh.de/de/index.jsp	840
-----	---	-----

I/O module - AXL F DI32/1 1F - 2688035

Approvals

LR		http://www.lr.org/en	14-20019
BV		http://www.veristar.com/portal/veristarinfo/generalinfo/approved/approvedProducts/equipmentAndMaterials	36433/A2 BV
ABS		http://www.eagle.org/eagleExternalPortalWEB/	17-HG1669996-PDA
EAC			EAC-Zulassung
DNV GL		http://exchange.dnv.com/tari/	TAA00000DF
PRS		http://www.prs.pl/	TE/2106/880590/16
RINA		http://www.rina.org/en	ELE0078216XG
BSH		http://www.bsh.de/de/index.jsp	840
KR		http://www.krs.co.kr/eng/main/main.aspx	HMB17372-AC002
cULus Listed			

Accessories

Accessories

Connector set

I/O module - AXL F DI32/1 1F - 2688035

Accessories

Connector set - AXL CNS 4L-O/D/UI/E1 - 2700982



Axioline F connector set (for e.g., AXL F DI32/1 1F)

Device marking

Insert label - EMT (35X46)R - 0801604



Insert label, for the Axioline F series from Phoenix Contact, Roll, white, unlabeled, can be labeled with: THERMOMARK ROLL, THERMOMARK ROLL X1, THERMOMARK ROLLMASTER 300/600, THERMOMARK X1.2, THERMOMARK S1.1, mounting type: snapped into marker carrier, lettering field size: 35 x 46 mm

DIN rail connector

Bus connector - AXL F BS F - 2688129



Axioline F bus base module for housing type F

Terminal marking

Zack marker strip - ZB 20,3 AXL UNPRINTED - 0829579



Zack marker strip for Axioline F (device labeling), in 2 x 20.3 mm pitch, unprinted, 25-section, for individual labeling with B-STIFT 0.8, X-PEN, or CMS-P1-PLOTTER

I/O module - AXL F DI32/1 1F - 2688035

Accessories

Zack Marker strip, flat - ZBF 10/5,8 AXL UNPRINTED - 0829580



Zack marker strip, flat, in 10 mm pitch, unprinted, 10-section, for individual labeling with M-PEN 0,8, X-PEN, or CMS-P1-PLOTTER