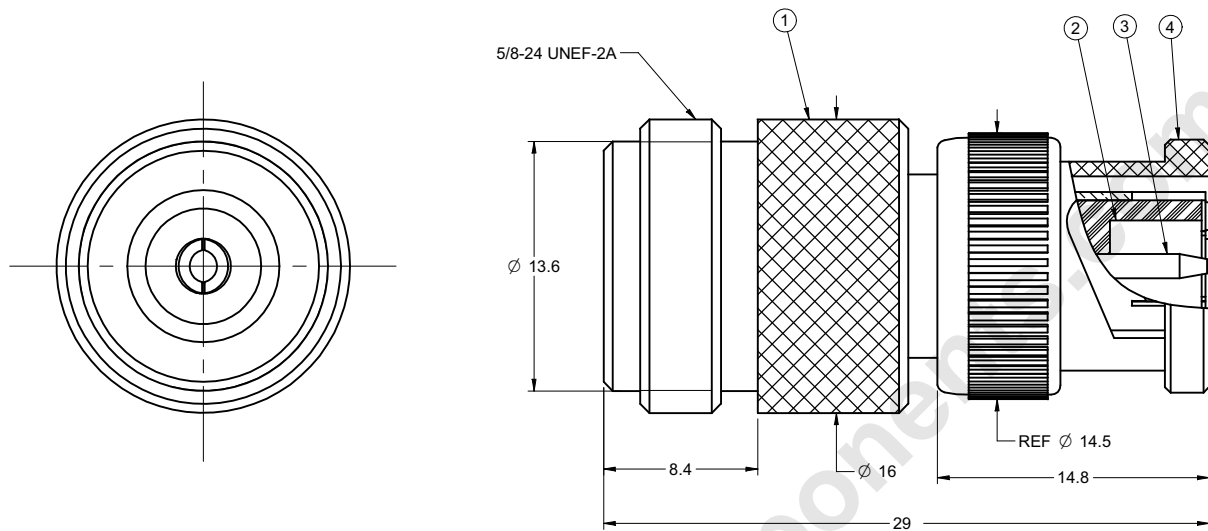


PART NUMBER	ITEM ① BODY	ITEM ② INSULATOR	ITEM ③ CONTACT	ITEM ④ NUT
26-8017	BRASS NICKEL PLATED	DELTRIN	BERYLLIUM NICKEL PLATED	ZINC NICKEL PLATED

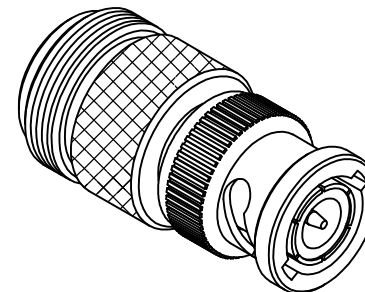
DRAWING NO. 26-8017	
REVISIONS	
01	OFFICIAL RELEASE
08-30-09	Y U W T



受控 CONTROLLED DOCUMENT					
编号 P/N	26-8017	版本 Rev	01	日期 Rel'd Date	SEP 14, 09

NOTES:

1. IMPEDANCE: 50 OHMS NOMINAL
2. FREQUENCY RANGE: 0-4 GHz
3. PRODUCT SHOULD BE RoHS COMPLIANCE
4. TECHNICAL DETAIL: REFER TO EMERSON DOCUMENT P/N 25-0000.&26-0000



THIS DRAWING TO BE INTERPRETED  
PER ANSI Y 14.5M - 1994

COMPANY CONFIDENTIAL

TOLERANCE UNLESS OTHERWISE SPECIFIED		DRAWN BY BETTY.YU	DATE 08-30-09
DECIMALS	mm	CHECKED BY TERRY.W	DATE 08-30-09
X	± 0.5	APPROVED BY THOMAS	DATE 08-30-09
X.X	± 0.2	U/M	mm
X.XX	± 0.1		
ANGLES	± 0.5°		

EMERSON Network Power		Connectivity Solutions	
TITLE ADAPTER,BNC PLUG TO N JACK			

THIS DRAWING WAS PRODUCED BY COMPUTER,  
DO NOT SCALE DRAWING OR UPDATE MANUALLY.

SHEET 1 OF 1	DRAWING NO. 26-8017	SIZE C
-----------------	------------------------	-----------