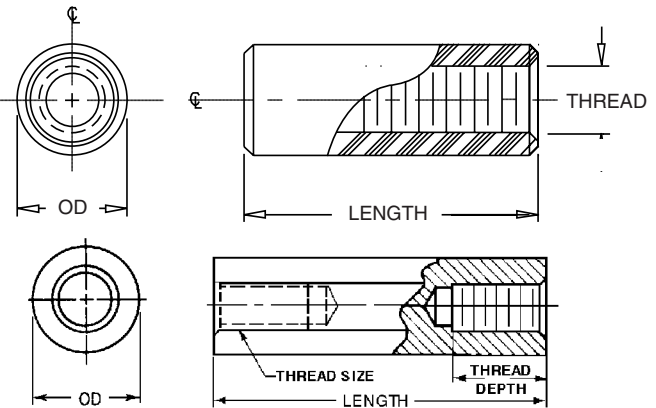
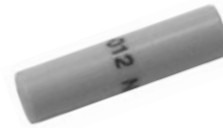


PART NO.	LENGTH	O.D.	THREAD		MIL
			SIZE	DEPTH	NUMBER
2640	1/4	1/4	6-32	THRU	
2642	3/8	3/8		5/32	
2641	1/2	1/4		5/32	
2643		3/8		5/32	NL523 W01 004
2600		5/32			
2644	1/2	1/2		9/64	
2601	5/8	3/8	1/4	NL523 W01 005	
2607		1/2	8-32	3/16	NL523 W02 005
2602	3/4	3/8	6-32	1/4	NL523 W01 006
2645		1/2	8-32		NL523 W02 006
2608	1	3/8	6-32		NL523 W01 008
2646		1/2	8-32		NL523 W02 008
2609		3/4	10-32	3/8	NL523 W03 008
2615	1-1/4	3/8	6-32		NL523 W01 010
2610		1/2	8-32		NL523 W02 010
2616		3/4	10-32		NL523 W03 010
2622		1	1/4-20	7/16	NL523 W04 010
2647	1-1/2	1/2	6-32	9/16	
2605		3/8	8-32	3/8	NL523 W01 012
2611		1/2	10-32		NL523 W02 012
2617		3/4	1/4-20	1/2	NL523 W04 012
2623	2	3/8	6-32	3/8	NL523 W01 016
2606		1/2	8-32		NL523 W02 016
2612		3/4	10-32		NL523 W03 016
2618		1	1/4-20	5/8	NL523 W04 016
2624	2-1/2	1/2	6-32	1/2	
2648		3/8	8-32	3/8	NL523 W02 020
2613		1/2	10-32		NL523 W03 020
2619		3/4	1/4-20	3/4	
2649	3	1	5/8		NL523 W04 020
2625		1/2	8-32	3/8	NL523 W02 024
2614		3/4	10-32		NL523 W03 024
2620		1	1/4-20	5/8	NL523 W04 024
2626	4	3/4	10-32	3/8	NL523 W03 032
2650		1	1/4-20	5/8	NL523 W04 032
2621	5	1	1/4-20	5/8	NL523 W04 040
2627					NL523 W04 048
2628					
2629	6				



- Ceramic standoffs are Grade L-5 Steatite, glazed and fired at high temperature.
- Threaded from each end as indicated in table.
- The ideal Insulator, Steatite exhibits exceptional strength in compression and tension, but is weak in shear (torsion), as are all glass-type materials.
- Continuous safe operating temperature rating of 930°C (1700°F).

SCREW NO.	MAJOR DIA.	HOLE SIZE
#2	0.086	0.093
#3	0.099	0.100
#4	0.112	0.120
#5	0.125	0.130
#6	0.138	0.144
#8	0.164	0.169
#10	0.190	0.196
#12	0.216	0.220