

MODEL 261XBP (R)

Alternating Relay

- Solid-State Reliability
- Socket-Mounted
- Heavy-Duty Contact Ratings

DESCRIPTION

The Model 261XBP(R) Alternating Relays use the same solid-state latching and control circuit as all the other 261series models, the enclosure and the connecting base being the major differences.

This version was designed to replace a long time and widely used mechanical latching relay offered by another manufacturer. The modern circuitry used in the Model 261XBP(R) offers a vast improvement in reliability and useful life over the mechanical type. The **XBXP** version of the relay requires **closing the control switch** to begin alternation, and the **XBXP** version requires **opening the control switch** to begin alternation.

Replacement of the original mechanical alternator with the Model 261XBP(R) requires the addition of one wire from L1 to Pin 5 of the connector, in order to supply continuous power to the solid-state circuit.

Either of these units is available in two voltage versions for use with 24 VAC/DC or 120 VAC/DC.

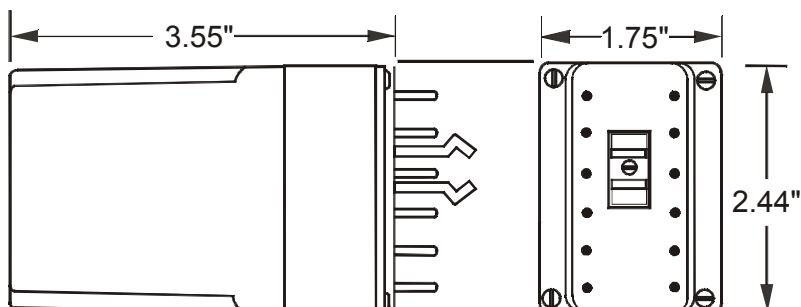


SPECIFICATIONS

MODEL	261XBP-24 261XBXP-24	261XBP-120 261XBXP-120
Supply Voltage	24V AC/DC	120V AC/DC
Voltage Range	20 - 28V	90 - 130V
Max Voltage	30V	140V
Supply Current	0.05A	0.01A
Control Current	0.001A	
Operating Duty	Continuous	
Minimum Cycle Time	100 msec	
Contacts	10A at 240VAC resistive	
Expected Relay Life	Mech: 10 million operations Elec: 100,000 at rated load	
Operating Temperature	- 40° to +140° F	
Humidity	0 - 97% w/o condensation	
Mounting	12-pin socket *	
Enclosure Material	ABS plastic	
Weight	4.8 oz.	

* order 12-pin socket number 51X156

DIMENSIONS



(dimensions have tolerance of ± 0.06)

Telephone: Main - (918) 438-1220
Sales - (800) 862-2875
Fax: (918) 437-7584

E-mail: sales@time-mark.com
Internet: http://www.time-mark.com



11440 East Pine Street
Tulsa, Oklahoma 74116

Doc No. 87A414 12/00
© 2000 TIME MARK CORPORATION

TIME MARK is a division of  AEMT, Inc.

MODEL 261XBP (R) Alternating Relay

READ ALL INSTRUCTIONS BEFORE INSTALLING, OPERATING OR SERVICING THIS DEVICE.
KEEP THIS DATA SHEET FOR FUTURE REFERENCE.

GENERAL SAFETY

POTENTIALLY HAZARDOUS VOLTAGES ARE PRESENT AT THE TERMINALS OF THE MODEL 261XBP(R).
ALL ELECTRICAL POWER SHOULD BE REMOVED WHEN CONNECTING OR DISCONNECTING WIRING.
THIS DEVICE SHOULD BE INSTALLED AND SERVICED BY QUALIFIED PERSONNEL.

Installation Instructions

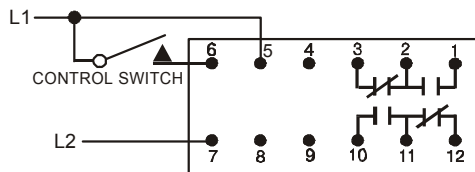
INSTALLATION

Connect wiring to the socket as indicated in the following examples.

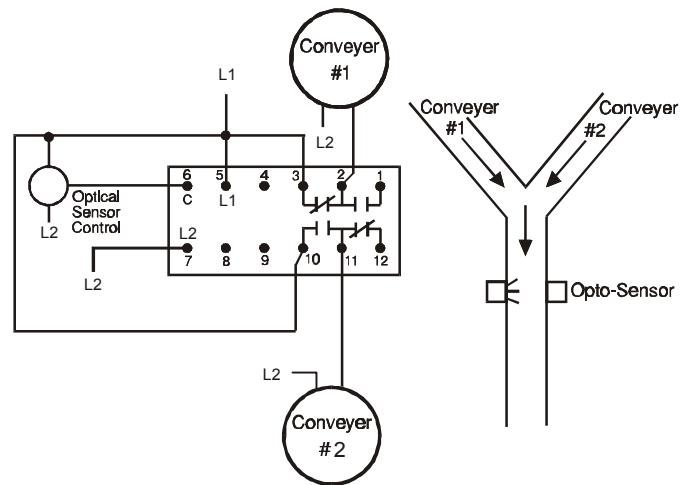
The Model 261XBP(R) Alternating Relay is extremely versatile and can be used in many other configurations besides those shown. Any type of switch (float, pressure, etc.) can be used as the control switch; however, it must be connected as shown (from L1 to the control input) or the alternator will not function properly.

NOTE: When installing the Model 261XBP(R) in areas of high humidity or contamination, it is recommended that the base area and all exposed metal parts of the socket be coated liberally with a good quality silicon grease, such as Dow Corning DC-4 or DC-4X. Insert the unit into the socket and wipe off excess grease around the base. This will prevent the entrance of moisture and other contaminants into the base and socket area.

PIN DIAGRAM



TYPICAL APPLICATION



TROUBLESHOOTING

Should the unit fail to operate properly, check to see that all voltage levels are present and are of the correct level. Verify that all connections are correct and securely attached to equipment. Should problems persist, contact the manufacturer at 800-862-2875 for assistance.

WARRANTY

The Model 261XBP(R) Alternating Relay is covered by Time Mark Corporation's exclusive **5-Year Unconditional Warranty**. Should this device fail, for any reason, within five years from the date of purchase, we will repair or replace it free. Contact the Time Mark Sales department, Monday through Friday; 8 a.m. to 5 p. m., CST, for further details.

Telephone: Main - (918) 438-1220
Sales - (800) 862-2875
Fax: (918) 437-7584

E-mail: sales@time-mark.com
Internet: http://www.time-mark.com



11440 East Pine Street
Tulsa, Oklahoma 74116
Doc No. 87A414 12/00
© 2000 TIME MARK CORPORATION

TIME MARK is a division of  AEMT, Inc.