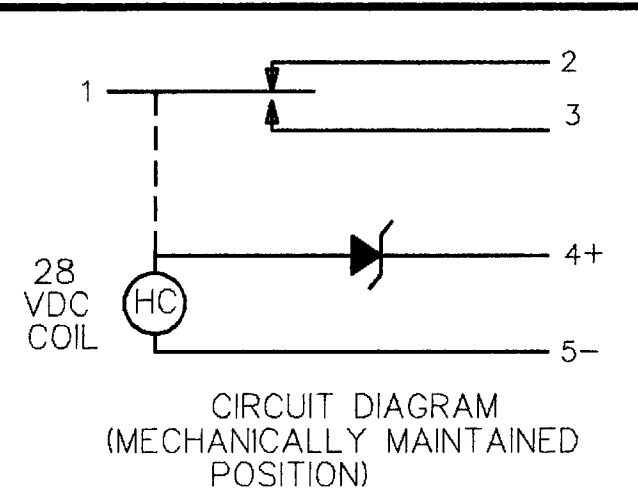


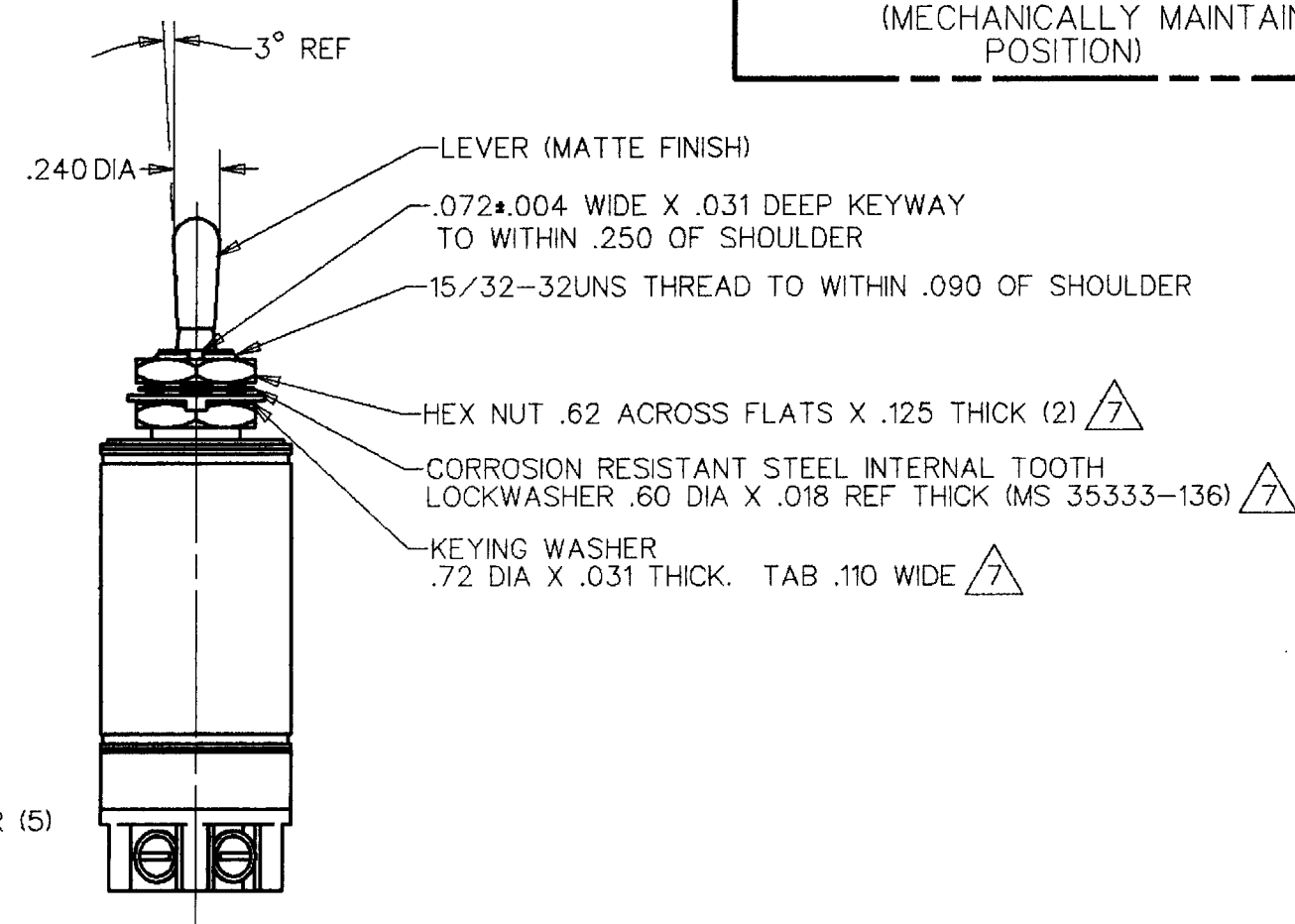
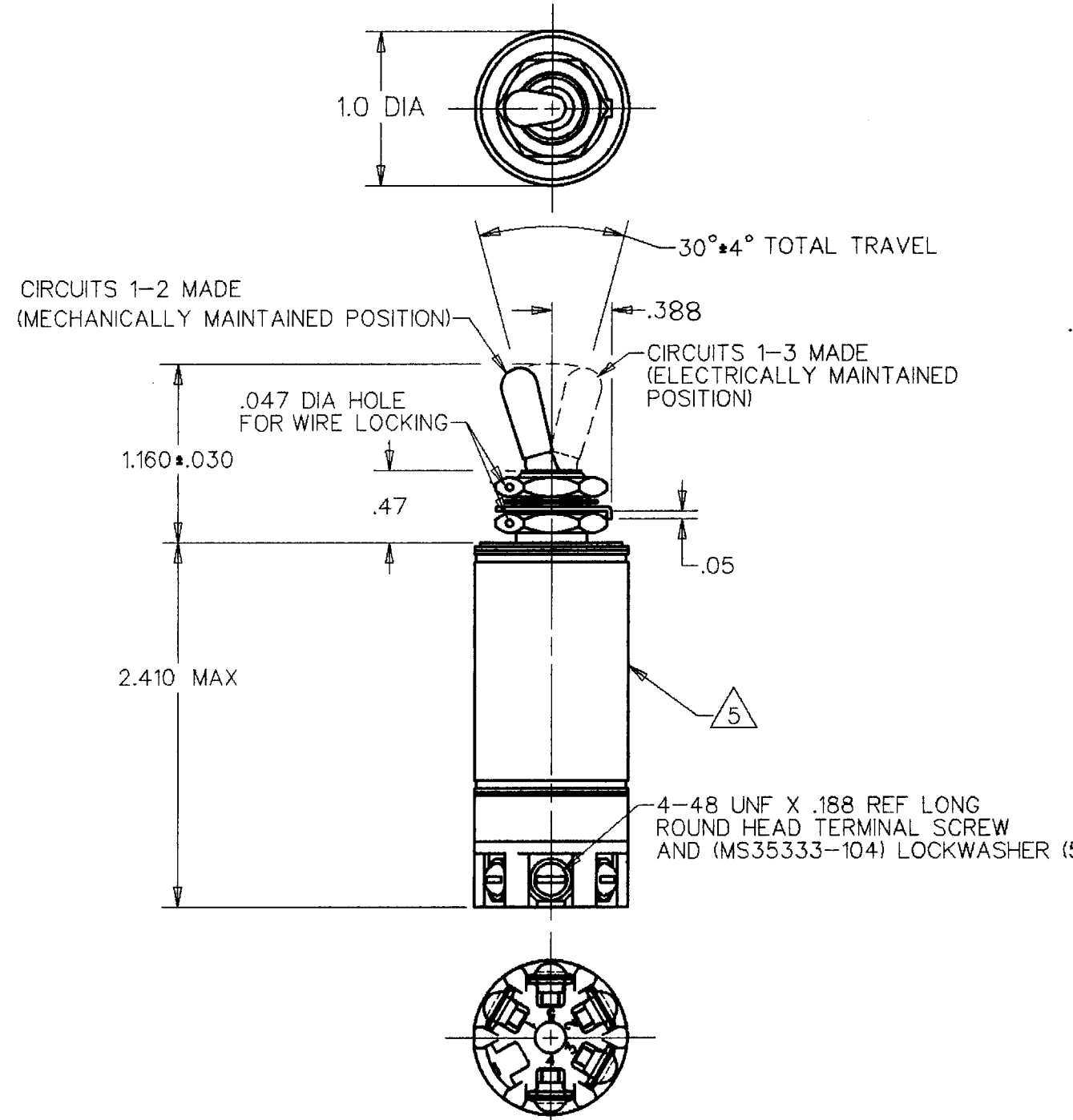
**MICRO SWITCH**  
 FREEPORT, ILLINOIS, U. S. A.  
 A DIVISION OF HONEYWELL  
 FED. MFG. CODE 91929

**SWITCH - TOGGLE  
 (MAGNETIC HOLD-IN)**

CATALOG LISTING  
**25ET24-S**



**25ET24-S**  
**M**  
 DRAWING NUMBER  
**8**  
 ISSUE  
 REVISIONS  
 A CO 61410  
 D J S 5 OCT 87  
 CHECK GUA 7 DEC 87  
 DRAWN D J S 5 OCT 87  
 CHECK GUA 7 DEC 87  
 RELEASE NO. PR-4653  
 REPLACES



- NOTES
- 1 - EXPOSED PARTS ARE OF CORROSION RESISTANT MATERIAL OR ARE SUITABLY PROTECTED TO PREVENT CORROSION, ENCLOSURE FINISHED WITH BLUE EPOXY BASED ENAMEL COLOR NO. 25184 PER FEDERAL STANDARD 595
  - 2 - SWITCH SEALED PER MIL-S-5594
  - 3 - HOLD IN VOLTAGE: THE MINIMUM SPECIFIED VOLTAGE AT WHICH THE LEVER WILL REMAIN ACTUATED. HOLD IN MAY OCCUR AT A LOWER VALUE. DROP OUT VOLTAGE: THE VOLTAGE RANGE IN WHICH THE LEVER WILL BE RELEASED
  - 4 - CIRCUITS CAN BE TRANSFERRED MANUALLY. ENERGIZING THE COIL WILL NOT CAUSE TRANSFER OF CIRCUITS
  - 5 - CIRCUIT IDENTIFICATION IS SHOWN ON SWITCH
  - 6 - ZENER DIODE IN COIL TO CONTROL 5-9 VOLT DROPOUT
  - 7 - HARDWARE MAY BE FURNISHED UNASSEMBLED PER MIL-S-5594

THIS DRAWING COVERS A PROPRIETARY ITEM AND IS THE PROPERTY OF MICRO SWITCH, A DIVISION OF HONEYWELL. THIS DRAWING IS NOT TO BE COPIED OR USED WITHOUT THE APPROVAL OF MICRO SWITCH

CHARACTERISTICS	
SOLENOID RATING AT 20° C	
STEADY STATE LIMITS	20-29 VDC
HOLD IN	15 VDC
DROP OUT	5-9 VDC
COIL RESISTANCE	220 OHM MIN
OPERATING FORCE	7 LBS MAX
OVERRIDE FORCE AT 29 VDC	10 LBS MAX

ELECTRICAL DATA	
CONTACT ARRANGEMENT S P D T	
RATINGS IN AMPHERES	
VOLTAGE	SEA LEVEL 65,000 FT
	INRUSH RES IND MOTOR INRUSH RES IND MOTOR
28 VOLTS DC	4 3 4 4 2.5 4

SCALE	FULL
DO NOT SCALE PRINT	
TOLERANCES APPLY TO DESIGN UNITS. CONVERSIONS ARE ONLY FOR REFERENCE. UNLESS NOTED, TOLERANCES ARE ±	
ONE PLACE	(.0) ±.030
TWO PLACES	(.00) ±.015
THREE PLACES	(.000) ±.005
ANGLES	±
RAW MATERIAL-COMMERCIAL STANDARD THIRD ANGLE PROJECTION	
WEIGHT	4.0 OZ MAX