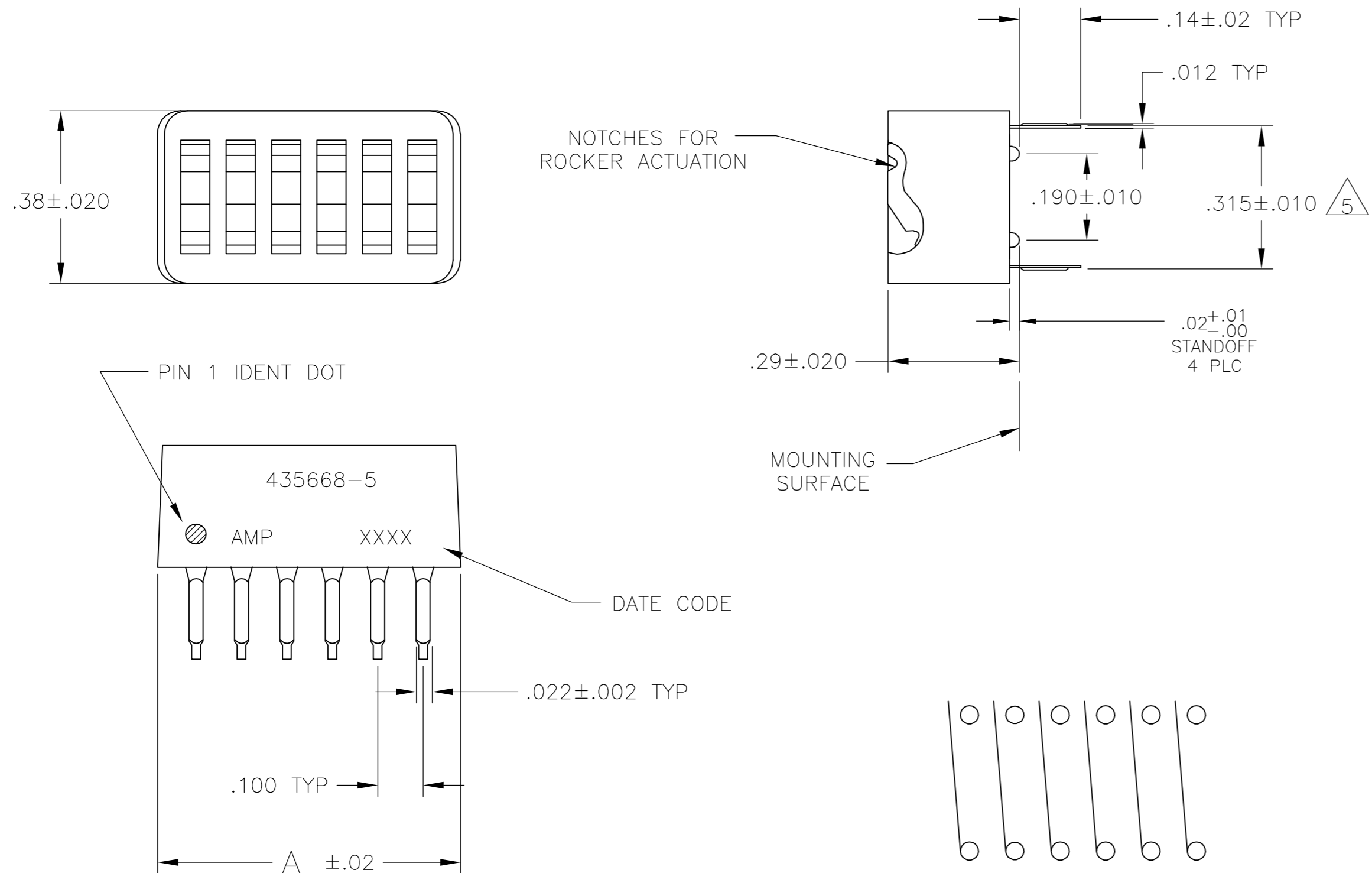
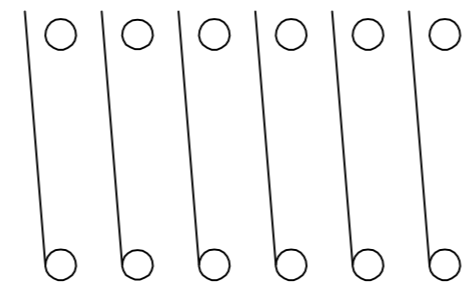
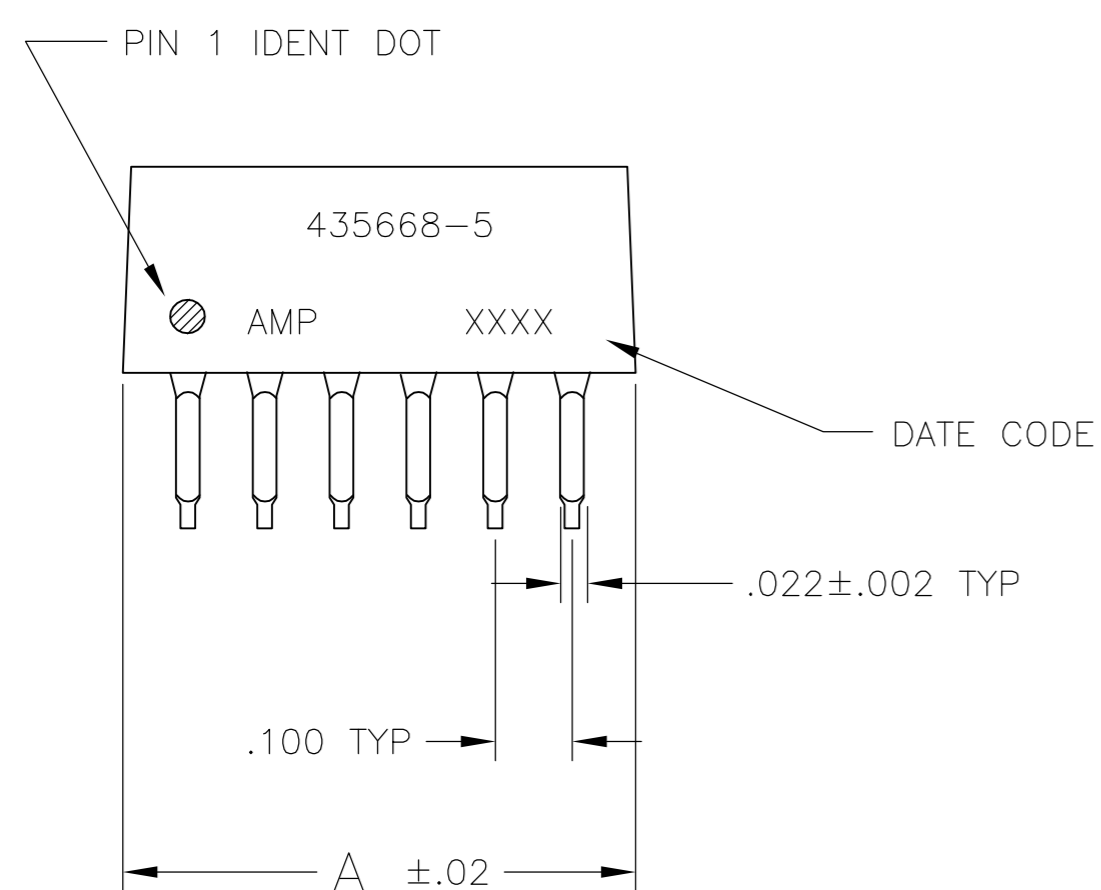


THIS DRAWING IS UNPUBLISHED. RELEASED FOR PUBLICATION  
 © COPYRIGHT BY TYCO ELECTRONICS CORPORATION. ALL RIGHTS RESERVED.

LOC	DIST	REVISIONS			
P	LTR	DESCRIPTION	DATE	DWN	APVD
AD	00				
	A	ECO-05-10251	28SEP05	RB	MS



- FOR ADDITIONAL SPECIFICATIONS SEE AMP PRODUCT SPEC 108-7532.
- SWITCH SHOWN IN OPEN POSITION.
- ALL CHARACTERS AND ROCKERS ARE WHITE, HOUSING IS BLUE.
- STAMPING WILL VARY ON 2 AND 3 POSITION SIDES DUE TO SPACE RESTRICTIONS.
- .315 DIMENSION APPLIES AT TERMINAL TIPS. TERMINALS ARE .300 +.010 AT MOUNTING SURFACE - .000
- ALL MATERIALS AND FINISHES SHALL COMPLY WITH EU DIRECTIVE 2002 /95/EC OF 27JAN2003 (ROHS).
- MATERIAL: HOUSING AND ROCKERS - POLYESTER  
CONTACT & SOLDER LEAD - COPPER ALLOY
- FINISH: CONTACT - GOLD OVER NICKEL  
SOLDER LEAD - TIN OVER NICKEL



CONTACT ARRANGEMENT

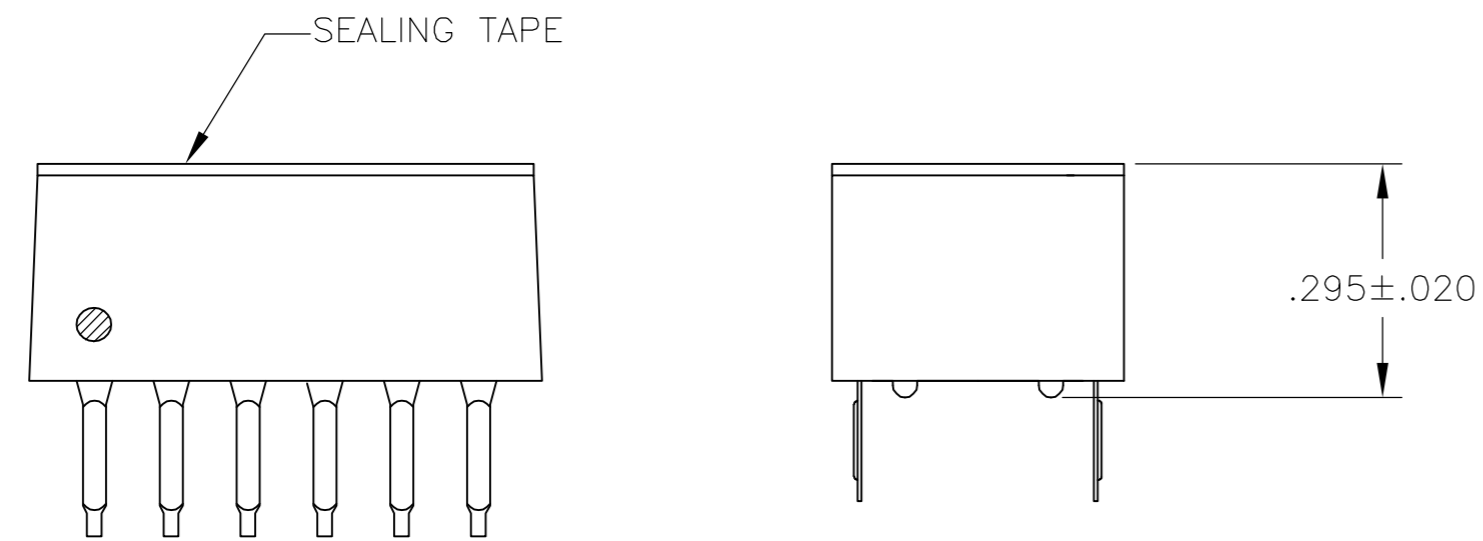


FIG 1

FIG 7	FIG 1	FIG 2	MARKING	SEALING TAPE	NO OF POSN	PART NO
.58	5	8-5435668-7		A		
.58	5	3-5435668-5				
.48	4	3-5435668-4				
.38	3	3-5435668-3				
1.28	12	3-5435668-2				
1.18	11	3-5435668-1				
1.08	10	3-5435668-0				
.98	9	2-5435668-9				
.88	8	2-5435668-8				
.78	7	2-5435668-7				
.28	2	2-5435668-6				
.68	6	2-5435668-5				
1.08	10	5435668-9				
.88	8	5435668-7				
.68	6	5435668-5				
.58	5	5435668-4				
.48	4	5435668-3				
.28	2	5435668-1				

THIS DRAWING IS A CONTROLLED DOCUMENT.

DIMENSIONS: INCHES	TOLERANCES UNLESS OTHERWISE SPECIFIED:	DWN BSV	OBJAN05	Tyco Electronics Corporation Harrisburg, Pa 17105-3608	
0 PLC ± -	1 PLC ± -	CHK -	APVD -	NAME	
2 PLC ± -	3 PLC ± .005	PRODUCT SPEC -	APPLICATION SPEC -	SWITCH ASSY, DIP, TYPE C, 7100 SERIES, SPST, LOW PROFILE	
4 PLC ± -	ANGLES ± -	FINISH	WEIGHT -	SIZE A2	CAGE CODE 00779
				DRAWING NO C=5435668	RESTRICTED TO -
				CUSTOMER DRAWING	SCALE 4:1 SHEET 1 OF 2 REV A

THIS DRAWING IS UNPUBLISHED.      RELEASED FOR PUBLICATION  
 © COPYRIGHT      BY TYCO ELECTRONICS CORPORATION.      ALL RIGHTS RESERVED.

LOC	DIST	REVISIONS			
P	LTR	DESCRIPTION	DATE	DWN	APVD
AD	00	SEE SHEET 1	-	-	-

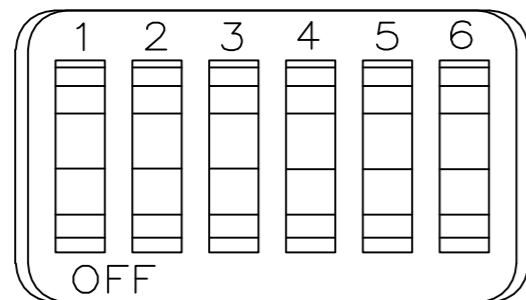


FIG 2

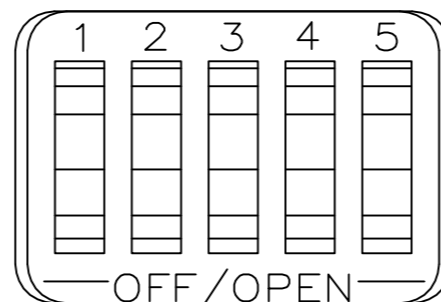


FIG 7

THIS DRAWING IS A CONTROLLED DOCUMENT.		DWN	08JAN05	<b>tyco</b> Electronics	Tyco Electronics Corporation Harrisburg, Pa 17105-3608	
DIMENSIONS: INCHES		BSV	-		NAME SWITCH ASSY, DIP, TYPE C, 7100 SERIES, SPST, LOW PROFILE	
TOLERANCES UNLESS OTHERWISE SPECIFIED:		CHK	-	SIZE		
0 PLC ± -		APVD	-	CAGE CODE	DRAWING NO	RESTRICTED TO
1 PLC ± -		PRODUCT SPEC	-	A2	00779	C=5435668
2 PLC ± -		APPLICATION SPEC	-	SCALE		
3 PLC ± .005		WEIGHT	-	4:1	SHEET	OF
4 PLC ± -		CUSTOMER DRAWING	-	2	2	REV
ANGLES ± -						A
FINISH						
-						

5435668