

# Color-Keyed® Insulating Covers for H- and C-Taps



Interlocking insulating soft cover for "H" type compression taps. For use indoors, in splice boxes, or trays. Place H-Tap in cover and snap cover closed.

**Material:** Black polypropylene  
**Voltage Rating:** Max. 600V  
**Temperature Rating:** 90°C

## Soft Covers (Figure 1)

Cat. No.	Dimensions (in.)			H-Tap
	A	B	C	
HT20C	4 <sup>1</sup> / <sub>2</sub>	1 <sup>1</sup> / <sub>4</sub>	1 <sup>1</sup> / <sub>8</sub>	63110, 63115, 63120, 63125
HT40C	5 <sup>39</sup> / <sub>64</sub>	1 <sup>13</sup> / <sub>32</sub>	1 <sup>3</sup> / <sub>16</sub>	63130, 63135, 63140, 63145, 63150
HT600C	6 <sup>13</sup> / <sub>16</sub>	2 <sup>1</sup> / <sub>8</sub>	1 <sup>39</sup> / <sub>64</sub>	63155, 63160, 63165
HT1000C	7 <sup>1</sup> / <sub>4</sub>	2 <sup>1</sup> / <sub>3</sub>	1 <sup>11</sup> / <sub>16</sub>	63175, 63180
HT1000C-L	10 <sup>3</sup> / <sub>8</sub>	2 <sup>1</sup> / <sub>3</sub>	1 <sup>11</sup> / <sub>16</sub>	63170

Voltage rating: 600V maximum.

**Insulation covers ARE NOT reusable.**

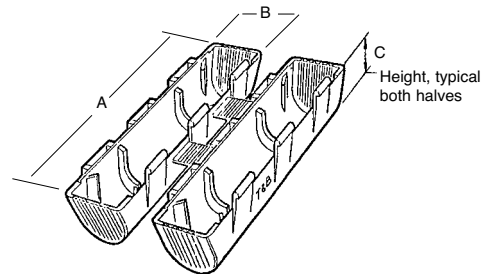


Figure 1



- Hard shell outer covers guard against impact and inner seal keeps out dust.
- Installs quickly and easily without special tools. Simply snaps together.
- Eliminates time-consuming taping.
- Provides high quality, neat, uniform installations.
- Range-taking design reduces inventory.

**Materials:**  
**Outer Hard Shell Covers:** High Impact Black Thermoplastic (Noryl)  
**Flammability Rating:** UL 94-V  
**Inner Seal:** Black neoprene sponge soft closed cell  
**Oxygen index:** 28%  
**Flammability Rating:** UL 94 HBF  
**Temperature Rating:** 90°C

## Hard Covers (Figure 2)

Cat. No.	Dimensions (in.)			H-Tap	C-Tap
	A	B	C		
HTC2S*	2	1 <sup>1</sup> / <sub>8</sub>	1 <sup>7</sup> / <sub>16</sub>	CHT814-10	54705, 54710, 54715
HTC2*	3 <sup>1</sup> / <sub>2</sub>	1 <sup>1</sup> / <sub>8</sub>	1 <sup>7</sup> / <sub>16</sub>	63105 CHT214-9	—
HTC40	4 <sup>1</sup> / <sub>4</sub>	1 <sup>9</sup> / <sub>16</sub>	2	63110, 63118, 63125, 63140 CHT214-9, CHT250214-8 CHT25014-7, CHT25002-6	54720, 54725, 54730, 54755, 54760
HTC40L2	5 <sup>3</sup> / <sub>4</sub>	1 <sup>9</sup> / <sub>16</sub>	2	—	54735, 54740, 54745, 54750
HTC500	6	1 <sup>3</sup> / <sub>4</sub>	2 <sup>3</sup> / <sub>4</sub>	63148, 63160 CHT50010-5, CHT50040-4 CHT75010-3, CHT750350-2	54765, 54770, 54775, 54780, 54785
HTC1000	7	2 <sup>3</sup> / <sub>8</sub>	3 <sup>3</sup> / <sub>8</sub>	63180, 63169 CHT1000350-1	54790
HTC1000L	10	2 <sup>3</sup> / <sub>8</sub>	3 <sup>3</sup> / <sub>8</sub>	63170	—

\*HTC2 and HTC2S use insulation wrap instead of end cushions for inner seal (figure 3).

Voltage rating: 600V maximum.

**Insulation covers ARE NOT reusable.**

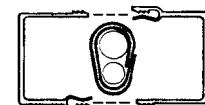
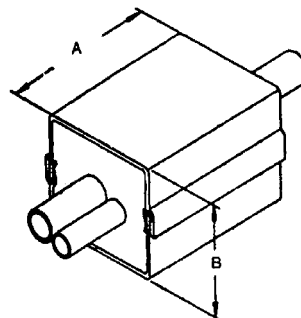
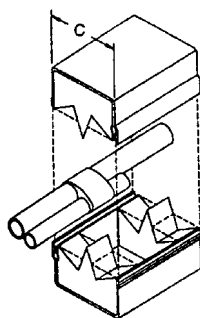


Figure 2

Figure 3

### Heavy Duty Bus Bar Taps—Straight Barrel Angle 600V to 35kV Applications



**Material:** High Conductivity Cast Copper Alloy

**Finish:** Electro Tin Plate

**Contact Material:** Beryllium Copper

**Finish:** Silver

Cat. No.	Wire Flex		Fig. No.	Busbar Width	Dimensions (in.)			Die Code
	Code	Flex			A	B	C	
251-31446-1			1	3	6 $\frac{1}{8}$	2 $\frac{3}{32}$	3 $\frac{1}{2}$	66H
251-31446-7	1/0	225/24	1	4	7 $\frac{1}{8}$	2 $\frac{3}{32}$	4 $\frac{1}{2}$	66H
251-31446-13			2	5 or 6	9 $\frac{1}{8}$	2 $\frac{3}{32}$	6 $\frac{3}{8}$	66H
251-31446-8		1/0	1	4	7 $\frac{1}{8}$	2 $\frac{3}{32}$	4 $\frac{1}{2}$	66H
251-31446-14	2/0	275/24	2	5 or 6	9 $\frac{1}{8}$	2 $\frac{3}{32}$	6 $\frac{3}{8}$	66H
251-31446-23			1	3	6 $\frac{1}{8}$	2 $\frac{3}{32}$	3 $\frac{1}{2}$	66H
251-31446-22	4/0	450/24	1	4	7 $\frac{1}{8}$	2 $\frac{3}{32}$	4 $\frac{1}{2}$	66H
251-31446-19			2	6	9 $\frac{1}{8}$	2 $\frac{3}{32}$	6 $\frac{7}{16}$	66H
251-31446-29			1	3	5 $\frac{11}{16}$	2 $\frac{3}{32}$	3 $\frac{3}{8}$	66H
251-31446-30	250	4/0	1	4	7 $\frac{1}{8}$	2 $\frac{3}{32}$	4 $\frac{1}{2}$	66H
251-31446-31	kcmil	550/24	1	5 or 6	9 $\frac{1}{8}$	2 $\frac{3}{32}$	6 $\frac{7}{16}$	66H
251-31446-3			1	3	6 $\frac{5}{8}$	2 $\frac{9}{16}$	3 $\frac{1}{2}$	99H
251-31446-9	350		1	4	7 $\frac{5}{8}$	2 $\frac{9}{16}$	4 $\frac{1}{2}$	99H
251-31446-15	kcmil		2	5 or 6	9 $\frac{5}{8}$	2 $\frac{9}{16}$	6 $\frac{3}{8}$	99H
251-31446-4			1	3	6 $\frac{5}{8}$	2 $\frac{9}{16}$	3 $\frac{1}{2}$	99H
251-31446-10	500	350	1	4	7 $\frac{5}{8}$	2 $\frac{9}{16}$	4 $\frac{1}{2}$	99H
251-31446-16	kcmil	925/24	2	5 or 6	9 $\frac{5}{8}$	2 $\frac{9}{16}$	6 $\frac{3}{8}$	99H
251-31446-17	600							
	kcmil							
251-31446-21	700		1	6	9 $\frac{3}{4}$	2 $\frac{3}{4}$	6 $\frac{7}{16}$	112H
	kcmil							
251-31446-6			1	3	6 $\frac{3}{4}$	2 $\frac{3}{4}$	3 $\frac{1}{2}$	112H
251-31446-12	750	500	2	4	7 $\frac{3}{4}$	2 $\frac{3}{4}$	4 $\frac{1}{2}$	112H
251-31446-18	kcmil	1325/24	2	5 or 6	9 $\frac{3}{4}$	2 $\frac{3}{4}$	6 $\frac{3}{8}$	112H
251-31446-36		750	2	5 or 6	9 $\frac{3}{4}$	2 $\frac{3}{4}$	6 $\frac{7}{16}$	112H
		1925/24						

Styles shown have cable tap on one portion of clamp assembly. Clamp assemblies with cable taps on both portions (top & bottom identical) are also available. These assemblies are identified by adding suffix "AD" to part numbers shown. **Example:** 251-31446-1AD

Only use hydraulic tools with hex crimp dies.

- For up to 1/2" thick bus bar 3" to 6" widths
- For code copper cable
- Clamps on—no drilling of bus bar
- Takes up less than 1-1/2" of bus bar space
- Convex shape of connector tongue exerts great contact pressure on bus bar
- Installs with hydraulic tools and hex crimp dies

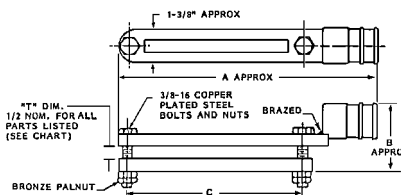


Figure 1

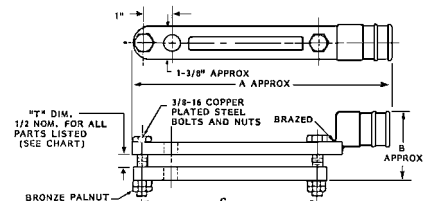
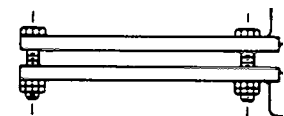
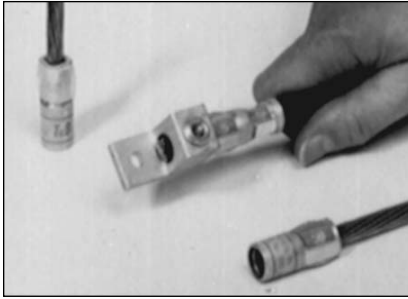


Figure 2

# Color-Keyed®

## Connectors for Aluminum/Copper Code Cables

### “Bi Pin”™ Bi Metal Pin Connectors with Insulating Covers\*

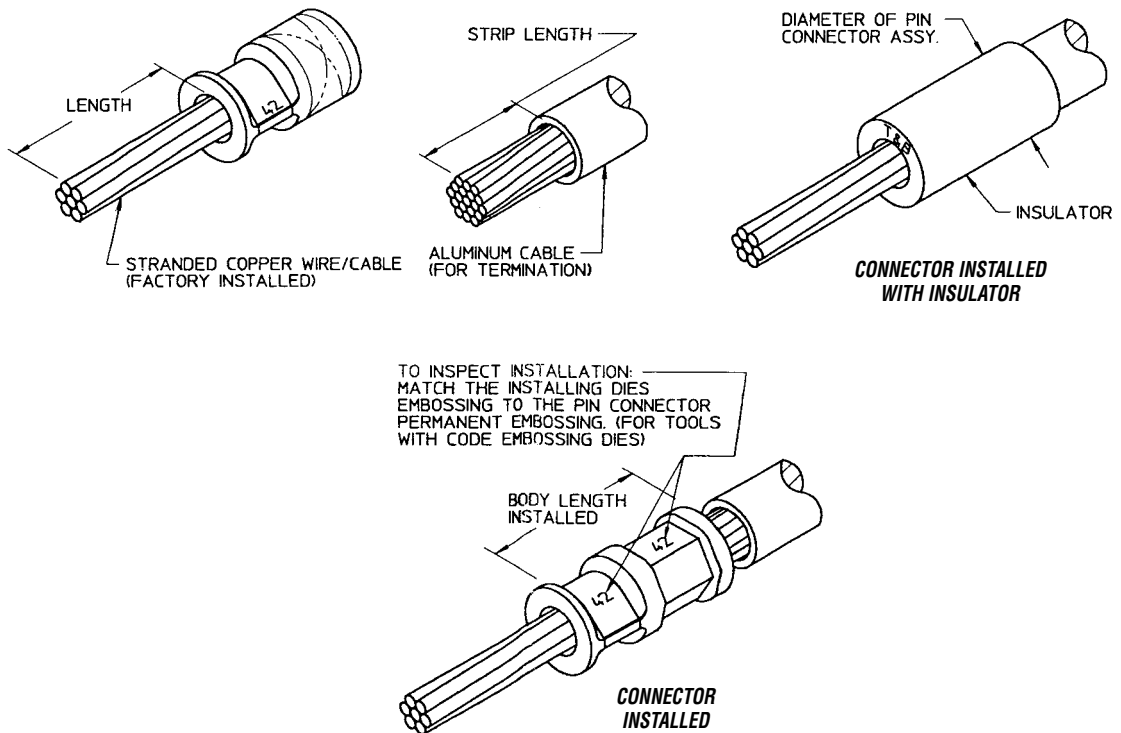


*This connector converts the aluminum cable into a two-size smaller copper pigtail. The connector upgrades a connection by eliminating cold flow and oxidation of aluminum, reduces an oversized aluminum cable, and allows installer to terminate aluminum into a “copper only” lug.*

**Material**—copper wire/aluminum body  
**Finish**—body is electro-tin plated wire barrel factory prefilled with joint compound  
**Insulator**—Neoprene 600V dielectric rating

Cat. No.	Alum. Cable Size	Copper Wire Size	Body Length After Installing	Die Code No.
61905A	8 AWG	10 AWG	1 $\frac{1}{8}$ "	24 Blue
61910A	6 AWG	8 AWG	1 $\frac{1}{8}$ "	24 Blue
61915A	4 AWG	6 AWG	1 $\frac{1}{16}$ "	45 Gold
61920A	2 AWG	4 AWG	1 $\frac{1}{16}$ "	45 Gold
61925A	1 AWG	3 AWG	1 $\frac{1}{8}$ "	50 Orange
61930A	1/0 AWG	2 AWG	1 $\frac{1}{8}$ "	50 Orange
61935	2/0 AWG	1 AWG	1 $\frac{1}{16}$ "	50 Orange
61940	3/0 AWG	1/0 AWG	2 $\frac{1}{8}$ "	60 Ruby
61945	4/0 AWG	2/0 AWG	2 $\frac{1}{8}$ "	60 Ruby
61950	250 kcmil	3/0 AWG	2 $\frac{1}{16}$ "	66 White
61955	300 kcmil	4/0 AWG	2 $\frac{1}{2}$ "	71H Red
61960	350 kcmil	250 kcmil	2 $\frac{1}{2}$ "	71H Red
61963	400 kcmil	250 kcmil	3 $\frac{1}{4}$ "	87H Brown
61965	500 kcmil	350 kcmil	3 $\frac{1}{4}$ "	87H Brown
61970	600 kcmil	400 kcmil	3 $\frac{1}{4}$ "	107H Orange
61975	700-750 kcmil	500 kcmil	3 $\frac{1}{4}$ "	107H Orange

\* 600V 90°C application



## In-Line Cable Disconnects for Copper Flex Cable – 600V



### In-Line Cable Disconnect



**Standard Material/Finish:**

**Body**—High Conductivity Copper, Silver Plated  
**KON-TOUR® Contact Band**—Beryllium copper-silver plated

- Connectors, when assembled to cables, provide long term performance in outdoor industrial environments with repeated connect/disconnects
- Silver plated beryllium copper interface contacts provide long term, reliable service even with repeated connect/disconnects (1)
- Insulators provide rain tight protection with double “ribs”, front and back (2)
- Rubber tip front of male connector provides spring action to bayonette lock mechanism and cleaning action for female connector inner wall (3)
- Bayonette spring lock mechanism prevents unintentional disengagement (4)
- Insulators provide cut-away ends to fit five cable sizes (5)

COMPRESSION CONNECTORS

Cat. No.		Wire	Die Code	Colour Code	Dimensions (in.)				Stripping Dimensions
Male	Female				A	B (ID)	C (OD)	D	
PD225M	PD225F	225/24	42	Pink	4.02	.395	.520	.385	1½"
PD275M	PD275F	275/24	45	Black	4.02	.445	.570	.385	1½"
PD325M	PD325F	325/24	50	Orange	4.02	.505	.630	.385	1½"
PD450M	PD450F	450/24	54	Purple	4.47	.565	.700	.430	1¾"
PD550M	PD550F	550/24	62	Yellow	4.47	.630	.765	.430	1¾"

**Application:** A series of pin and socket type disconnects designed to provide connect/disconnect ability for flexible power cables in an exposed (outdoor) environment.

**Performance:** Connector – 600V  
 Insulator – +90°C to -40°C

**Conforms to:** U.L.486B – Current cycle with mechanical cycle  
 U.L.486A – Pull out test and dielectric test  
 U.L.94HB1 and UL94V0  
 Flame test  
 U.L.514 Rain test  
 T&B Vibration/mechanical integrity

**Installing tools:** T&B 12-, 14- and 15-ton tools with hex dies.

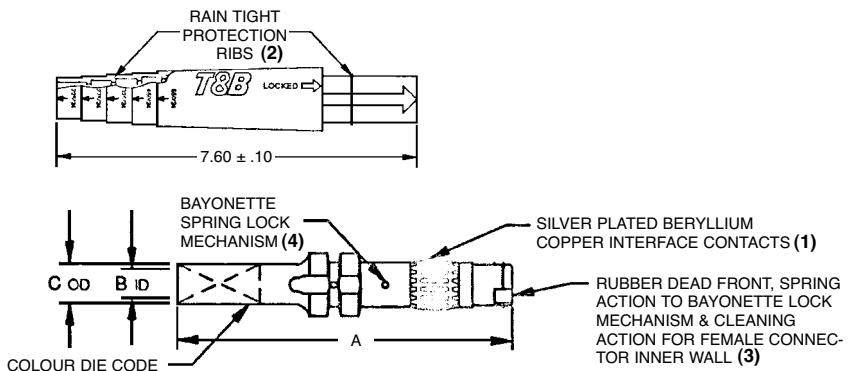


Figure 1

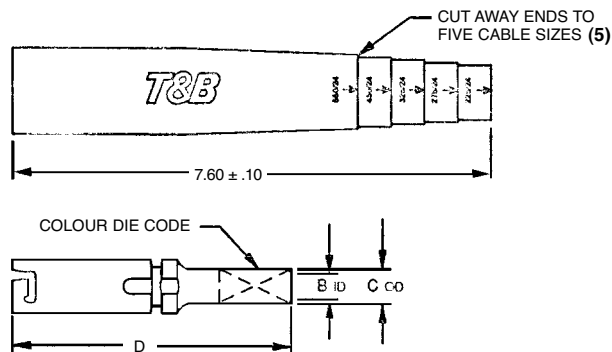


Figure 2