

**PLEASE CHECK WWW.MOLEX.COM FOR LATEST PART INFORMATION**

**Part Number:** **0025021008**  
**Status:** **Active**  
**Overview:** C-Grid® Products  
**Description:** 2.54mm Pitch C-Grid® Header, Dual Row, Shrouded, with PC Slot and Guide Ear, 8 Circuits, 0.76µm Gold (Au) Selective Plating

**Documents:**

[3D Model](#) [Product Specification TS-70541-001-001 \(PDF\)](#)  
[Drawing \(PDF\)](#) [RoHS Certificate of Compliance \(PDF\)](#)  
[Product Specification PS-70204-001 \(PDF\)](#)

**Agency Certification**

CSA LR19980  
 UL E29179

**General**

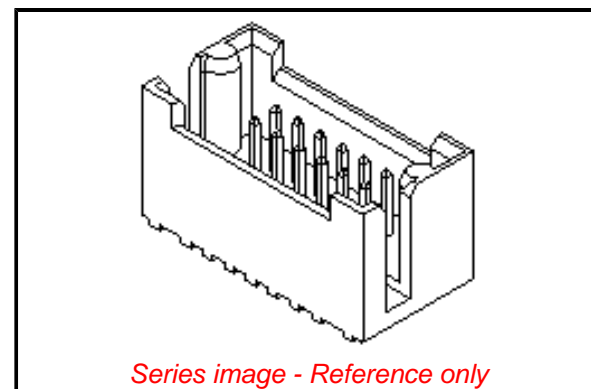
Product Family PCB Headers  
 Series 70204  
 Application Board-to-Board, Signal  
 Overview C-Grid® Products  
 Product Name C-Grid®  
 UPC 800754202565

**Physical**

Breakaway No  
 Circuits (Loaded) 8  
 Circuits (maximum) 8  
 Color - Resin Black  
 Durability (mating cycles max) 50  
 Flammability 94V-0  
 Glow-Wire Compliant No  
 Guide to Mating Part Yes  
 Lock to Mating Part None  
 Material - Metal Brass, Phosphor Bronze  
 Material - Plating Mating Gold  
 Material - Plating Termination Tin  
 Material - Resin Nylon  
 Net Weight 2.172/g  
 Number of Rows 2  
 Orientation Vertical  
 PC Tail Length 2.79mm  
 PCB Locator No  
 PCB Retention None  
 Packaging Type Tray  
 Pitch - Mating Interface 2.54mm  
 Plating min - Mating 0.762µm  
 Plating min - Termination 1.905µm  
 Polarized to Mating Part Yes  
 Polarized to PCB No  
 Shrouded Fully  
 Stackable No  
 Temperature Range - Operating -40°C to +105°C  
 Termination Interface: Style Through Hole

**Electrical**

Current - Maximum per Contact 3.0A  
 Voltage - Maximum 250V



Series image - Reference only

**EU ELV**

**Not Relevant**

**EU RoHS**

**Compliant**

**REACH SVHC**

Not Contained Per  
 -ED/01/2017 (12  
 January 2017)

**Halogen-Free**

**Status**

**Not Low-Halogen**

**Need more information on product environmental compliance?**

Email [productcompliance@molex.com](mailto:productcompliance@molex.com)  
 Please visit the [Contact Us](#) section for any non-product compliance questions.

China ROHS

ELV

RoHS Phthalates

**China RoHS**

Green Image

Not Relevant

Not Contained

**Search Parts in this Series**

70204 Series

**Mates With**

71973

**Solder Process Data**

Duration at Max. Process Temperature (seconds)	005
Lead-free Process Capability	WAVE
Max. Cycles at Max. Process Temperature	001
Process Temperature max. C	245

**Material Info**

Engineering Number	702040323
--------------------	-----------

**Reference - Drawing Numbers**

Product Specification	PS-70204-001, TS-70541-001-001
Sales Drawing	SDA-70204-0321-0384

This document was generated on 05/01/2017

**PLEASE CHECK [WWW.MOLEX.COM](http://WWW.MOLEX.COM) FOR LATEST PART INFORMATION**