

See full Datasheet below...

**HONEYWELL**

2455RP-91000442

**onlinecomponents.com**

THE ONLINE DISTRIBUTOR OF ELECTRONIC COMPONENTS

**BUY NOW**

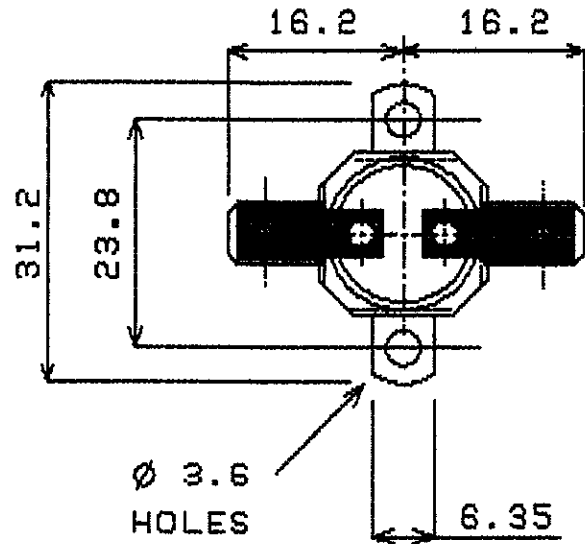


**MASTER**<sup>TM</sup>  
ELECTRONICS

**BUY NOW**

masterelectronics.com & onlinecomponents.com  
are **authorized** e-commerce distributors  
of electronic components.

DO NOT SCALE ALL DIMENSIONS ARE FOR REFERENCE ONLY



OPERATING CRITERIA

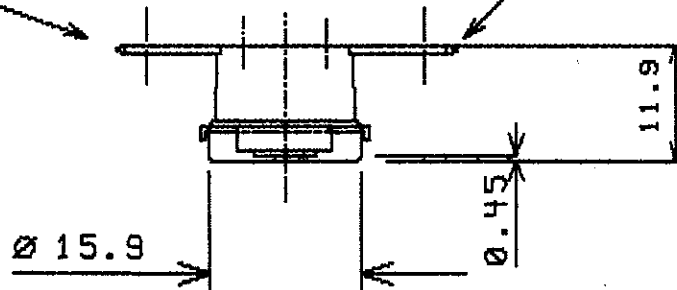
VOLTS: 240      AMPS: 10      HZ:

OPERATING TEMPS. DEG. C

OPEN: 20 ± 3  
CLOSE: 35 ± 5

6.35x0.8  
Q.C.

6.35x0.8  
Q.C.



NOTE: ORIENTATION OF BRACKET IS NOT FIXED

ISSUE	A	B							
MOD No	2052	2250							
MTH/YR	3/97	7/98							

ENCODING REQUIREMENTS

OUR: LASER CODE  
RP 9100 442 XXX

CAP: B200      MAT'L: ALUMINIUM  
BRK'T: B2036      MAT'L: STEEL  
..... PLATING: NICKEL  
TERMINAL: T146      T146  
MATERIAL: BRASS      BRASS  
PLATING: G1

ELMWOOD DEVICE & UNIQUE PART No.  
2455RP-9100-442

ELMWOOD DRG No.      ISSUE  
965210      B



ELMWOOD  
SENSORS LTD

DATE OF ISSUE STAMP

*Deliver*  
*THP*

DATE CODE