

DO NOT SCALE ALL DIMENSIONS ARE FOR REFERENCE ONLY

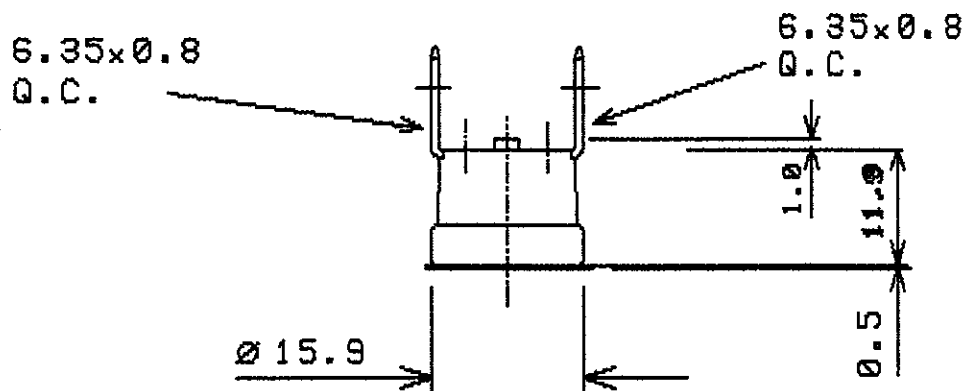
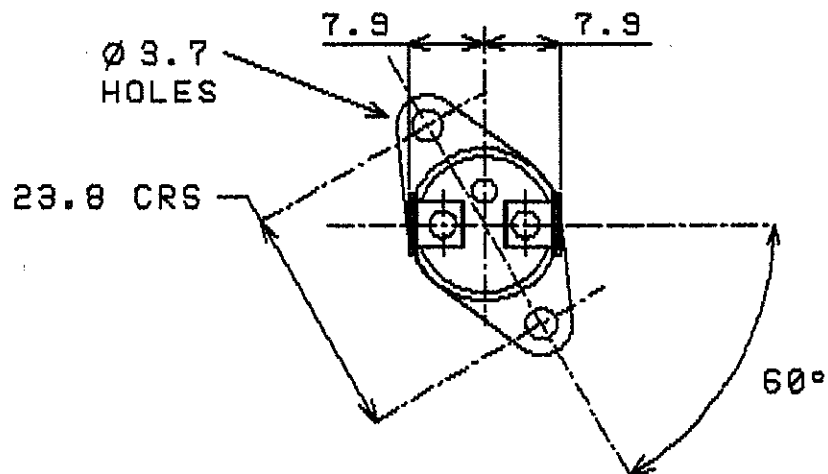
OPERATING CRITERIA

VOLTS: 250 AMPS: 13 HZ: 50/60

OPERATING TEMPS. DEG. C

OPEN: 70 ± 3

CLOSE: 55 ± 5



ISSUE	A									
MOD No	2259									
DATE	7/98									

CODING REQUIREMENTS

COLOUR: LASER CODE
L70C 82 195 XXX

(XXX = DATE CODING)

CAP: MAT'L:
BRK'T: 9261A18 MAT'L: ST/STEEL
PLATING:
TERMINAL: T147 : T147
MATERIAL: BRASS : BRASS
PLATING: NONE : NONE

ELMWOOD DEVICE & UNIQUE PART No.
2455R-82-195

ELMWOOD DRG No
880005

ISSUE
A



ELMWOOD
SENSORS LTD

DATE OF ISSUE STAMP

7 JUL 1998