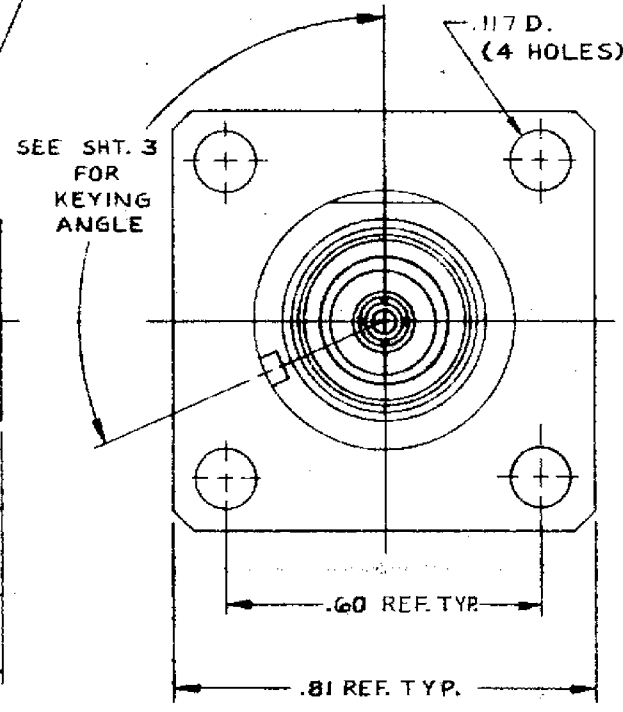
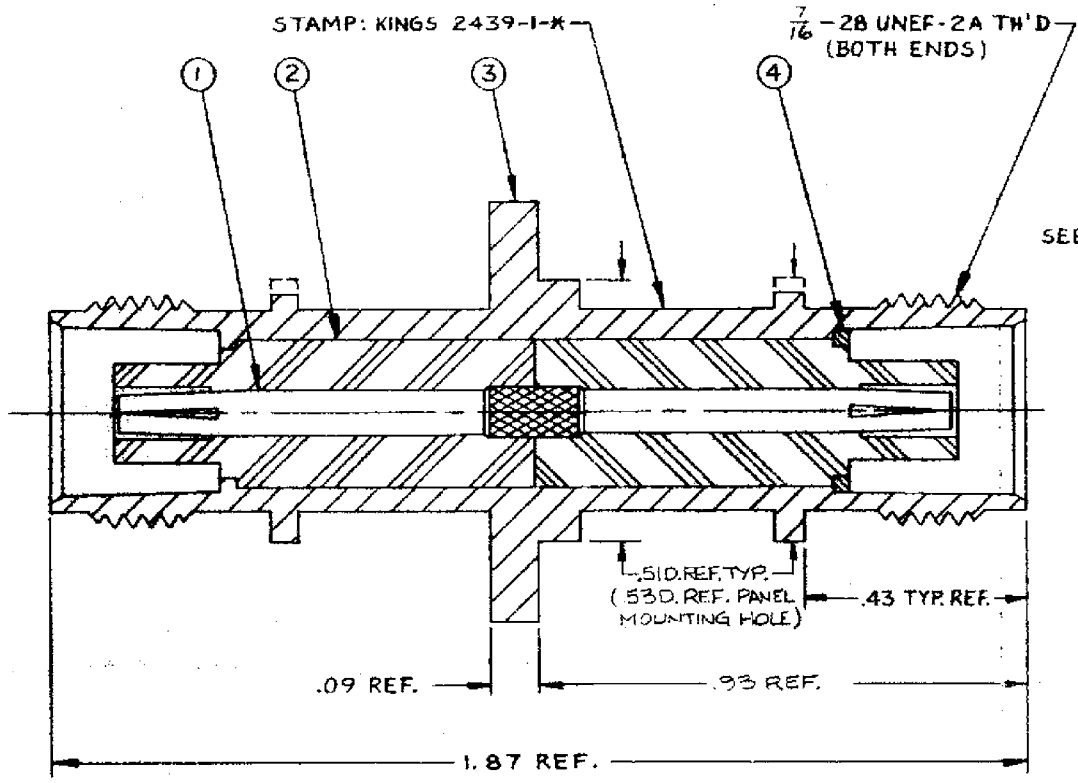


DASH NO	M CODE	MADE FROM
---------	--------	-----------

REVISIONS	
0	ER 30389 KH 6JAN89



2439-1-K
(SHEET 1 OF 3)
S-D

- NOTES:**
- FOR USE WITH .075 MAX. PANEL.
 - ITEM ③ TO HAVE KINGS TARNISH RESISTANT FINISH (TR-5)
 - INTERFACE PER MIL-STD-348, FIG. 313-2.

SCALE	4:1
APPROX SURFACE AREA	
WAS:	E-15434A-D
USED ON	
REF	BOEING PO # SEE ER
TNC PANEL ADAPTER (KEYED) F-F	
DRAWN	KH DATE 6JAN89
APPR	ST DATE 10/18/89
APPR	ST DATE 24FEB89

- UNLESS OTHERWISE SPECIFIED:**
- | | |
|--|---|
| 1 TOLERANCES FRACTIONS & 2 PLACE DECIMALS ± 0.10 | 2 REMOVE ALL BURRS, BREAK SHARP EDGES .005 MAX. |
| 3 PLACE DECIMALS ± .004 ANGLES ± 0°30' | 3 NO FILLETS PERMITTED. |
| 4 SURFACE ROUGHNESS 63 MICROINCHES RMS MAX | 4 ALL DIMENSIONS PRIOR TO PLATING. |
| 5 ALL DIMENSIONS PRIOR TO PLATING. | 5 ALL DIMENSIONS PRIOR TO PLATING. |
| 6 ALL PLATING IN ACCORDANCE WITH KER 10004. | 6 ALL PLATING IN ACCORDANCE WITH KER 10004. |



2439-1-K

(SHEET 1 OF 3)