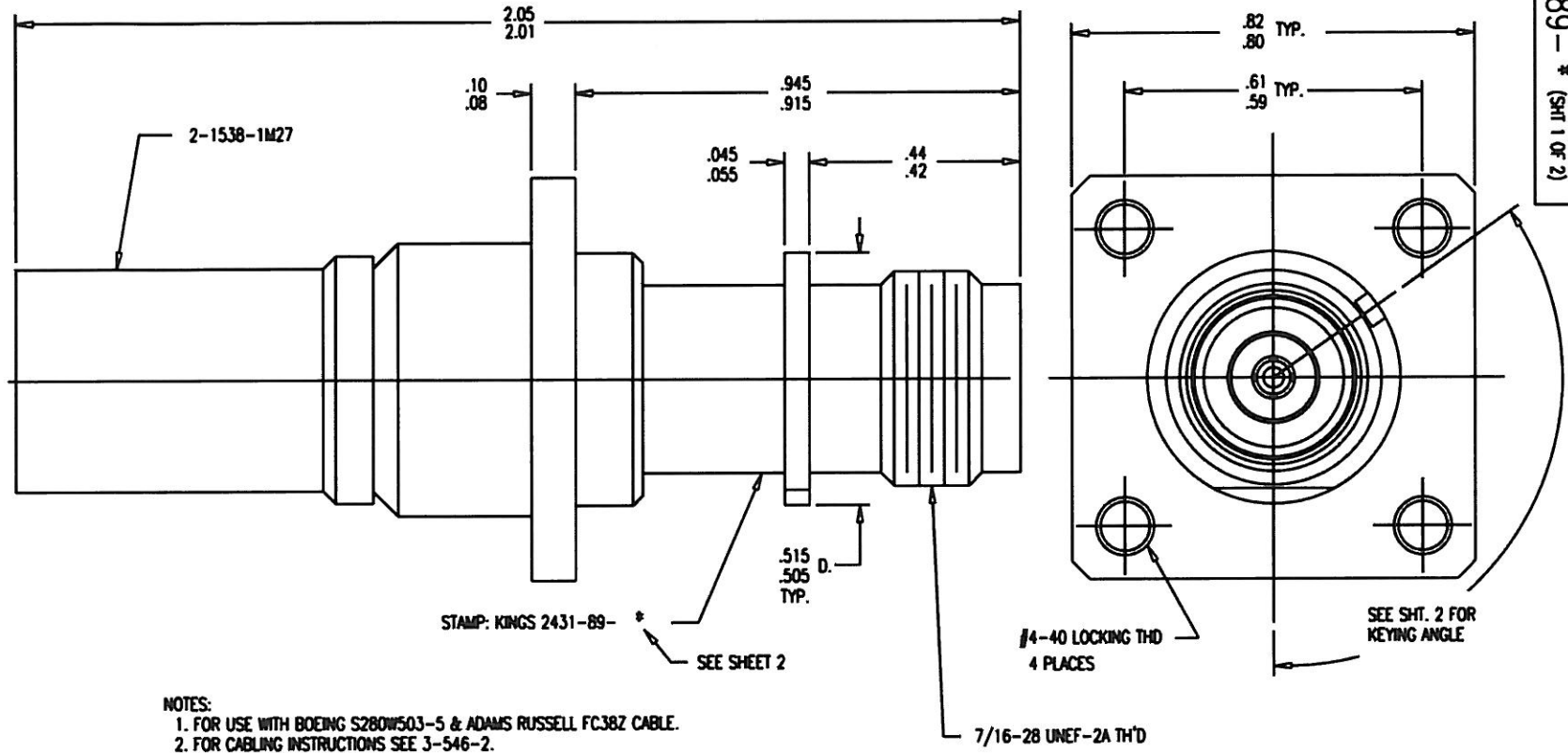


# GSD

2431-89- \* (SHT 1 OF 2)

REVISIONS

ISSUE	CHANGES
0	ER 37030 AR 06/26/96



- NOTES:
1. FOR USE WITH BOEING S280W503-5 & ADAMS RUSSELL FC38Z CABLE.
  2. FOR CABLING INSTRUCTIONS SEE 3-546-2.
  3. FOR CRIMPING USE DIE KTH-2213.
  4. INTERFACE PER MIL-STD-348, FIG. 313-2.
  5. FOR USE WITH .075 MAX. PANEL.
  6. CENTER CONTACT (1-5779-1MA9) SUPPLIED UNASSEMBLED.
  7. MARK PACKAGE: KINGS 2431-89- \*  
XXXX (DATE CODE) ← SEE SHEET 2
  8. MATERIALS:  
INSULATORS-TEFLON, ASTM-D-1457  
K-GRIP SLEEVE-COMMERCIAL BRONZE, ALLOY 220  
CENTER CONTACT-BER. COP., ASTM-B-196  
ALL OTHER METAL PARTS-BRASS, ASTM-B16
  9. FINISHES:  
CENTER CONTACT-GOLD PLATE PER MIL-G-45204  
ALL OTHER METAL PARTS-KINGS TARNISH RESISTANT FINISH (TR-5)
  10. ELECTRICAL CHARACTERISTICS:  
NOMINAL IMPEDANCE-50 OHMS  
FREQUENCY RANGE-DC TO 11 GHZ  
WORKING VOLTAGE-500 VRMS

VLS4402

SCALE 4:1

APPROX SURFACE AREA

WPS E-19375

USED ON

REF: BOEING

JACK, PANEL, KEYED, TNC

DRAWN VLS 00/18/96

DESIGN VLS 00/18/96

APPR. VLS 00/18/96

**KINGS**  
ELECTRONICS CO., INC.  
TUCUMPHOUSE, NEW YORK 10707

2431-89- \* (SHT 1 OF 2)

# GSD

KINGS PART NO.	KEYING ANGLE
2431-89-1	42-
2431-89-2	54-
2431-89-3	66-
2431-89-4	78-
2431-89-5	90-
2431-89-6	102-
2431-89-7	114-
2431-89-8	126-
2431-89-9	138-
2431-89-10	150-
2431-89-11	162-
2431-89-12	174-
2431-89-13	186-
2431-89-14	198-
2431-89-15	210-
2431-89-16	222-
2431-89-17	234-
2431-89-18	246-
2431-89-19	258-
2431-89-20	270-
2431-89-21	282-
2431-89-22	294-
2431-89-23	306-
2431-89-24	318-

GSD

2431-89- \*(SHEET 2 OF 2)

REVISIONS	
ISSUE	CHANGES
0	ER 37030 AR 06/26/96
VLS4403	

SCALE 1:1

APPROX SURFACE AREA

USED ON

REF:

PART NO. & ANGLE TABLE

DRAWN	VLS	<del>06/18/96</del>
DESIGN	VLS	<del>06/18/96</del>
APPR.	VLS	<del>06/18/96</del>

**KINGS**  
ELECTRONICS CO., INC.  
TUCKAHOE, NEW YORK 10707

2431-89- \*  
(SHEET 2 OF 2)

GSD