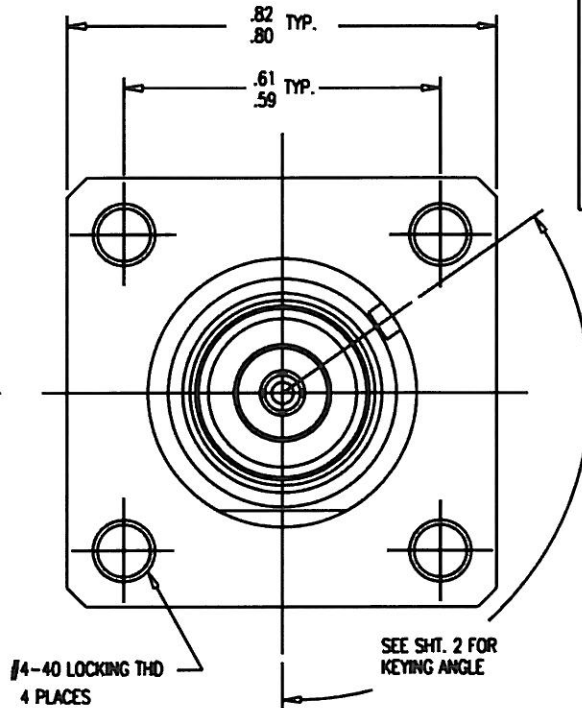
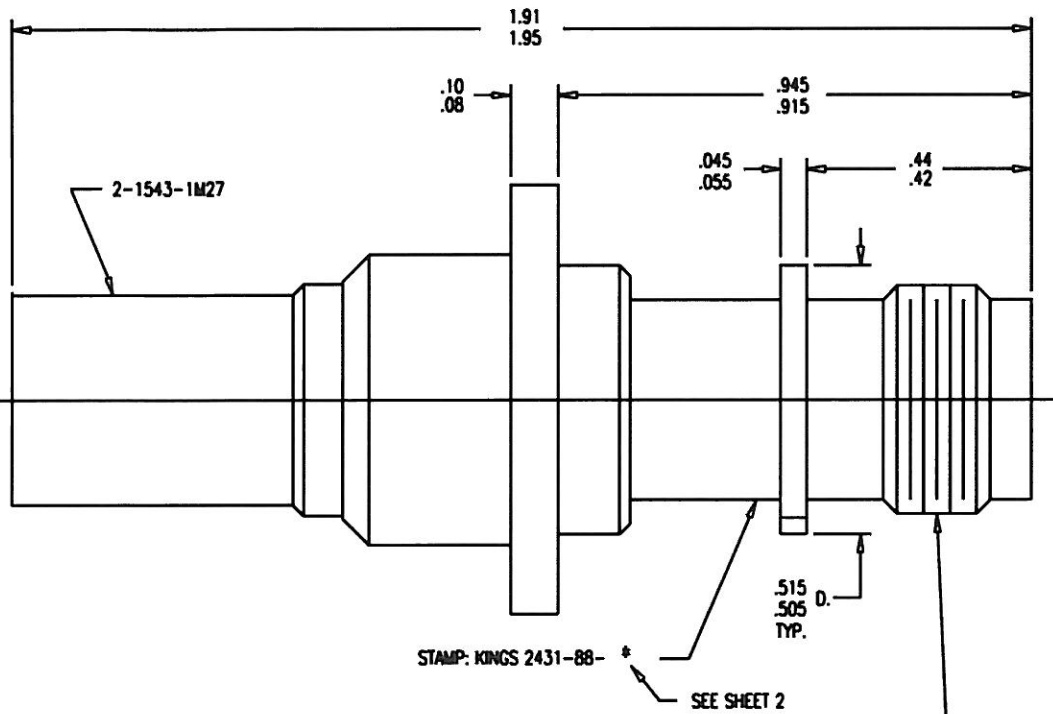


GSD

2431-88- * (SHT 1 OF 2)

REVISIONS	
REVISION	CHANGES
0	ER 36949 KH 05/02/96
1	CN 38694 E DCT 10/18/02
2	CN 38711 E DCT 11/13/02



7/16-28 UNEF-2A TH'D

NOTES:

- FOR USE WITH BOEING S280W503-4 & ADAMS RUSSELL FC28Z CABLE.
- FOR CABLING INSTRUCTIONS SEE 3-546-2.
- FOR CRIMPING USE DIE KTH-2212.
- INTERFACE PER MIL-STD-348, FIG. 313-2.
- FOR USE WITH .075 MAX. PANEL.
- CENTER CONTACT (1-5779-2MA9) SUPPLIED UNASSEMBLED.
- MARK PACKAGE: KINGS 2431-88- * SEE SHEET 2
XXXX (DATE CODE)
- MATERIALS:
INSULATORS-TEFLON, ASTM-D-1457
K-GRIP SLEEVE-COMMERCIAL BRONZE, ALLOY 220
CENTER CONTACT-BER. COP., ASTM-B-196
ALL OTHER METAL PARTS-BRASS, ASTM-B16
- FINISHES:
CENTER CONTACT-GOLD PLATE PER MIL-G-45204
ALL OTHER METAL PARTS-KINGS TARNISH RESISTANT FINISH (TR-5)
- ELECTRICAL CHARACTERISTICS:
NOMINAL IMPEDANCE-50 OHMS
FREQUENCY RANGE-DC TO 11 GHZ
WORKING VOLTAGE-500 VRMS

SCALE 4:1	
APPROX SURFACE AREA	
USED ON	
REF: BOEING	
JACK, PANEL, KEYED, TNC	
DRWEN	VLS DATE 03/20/96
DESIGN	VLS DATE 03/20/96
APPR.	VLS DATE 03/20/96
 ELECTRONICS CO., INC. TUCUMPHOE, NEW YORK 10707	

GSD

2431-88- * (SHT 1 OF 2)

KINGS PART NO.	KEYING ANGLE
2431-88-1	42-
2431-88-2	54-
2431-88-3	66-
2431-88-4	78-
2431-88-5	90-
2431-88-6	102-
2431-88-7	114-
2431-88-8	126-
2431-88-9	138-
2431-88-10	150-
2431-88-11	162-
2431-88-12	174-
2431-88-13	186-
2431-88-14	198-
2431-88-15	210-
2431-88-16	222-
2431-88-17	234-
2431-88-18	246-
2431-88-19	258-
2431-88-20	270-
2431-88-21	282-
2431-88-22	294-
2431-88-23	306-
2431-88-24	318-

GSD

2431-88- *(SHEET 2 OF 2)

REVISIONS	
ISSUE	CHANGES
0	ER 36949 KH 05/02/96
1	CN 38694 E DCT 10/18/02
2	CN 38711 E DCT 11/13/02
	VLS45291

SCALE 1:1

APPROX SURFACE AREA

USED ON

REF:

PART NO. & ANGLE TABLE

DRAWN	VLS	DATE	03/20/96
DESIGN	VLS	DATE	03/20/96
APPR.	VLS	DATE	03/20/96

 **KINGS**
ELECTRONICS CO., INC.
TUCKAHOE, NEW YORK 10707

2431-88- *
(SHEET 2 OF 2)

GSD