

MICRO SWITCH
 FREEPORT, ILLINOIS, U.S.A.
 A DIVISION OF HONEYWELL
 FED. MFG. CODE 91929

**PRESSURE
 TRANSDUCER**

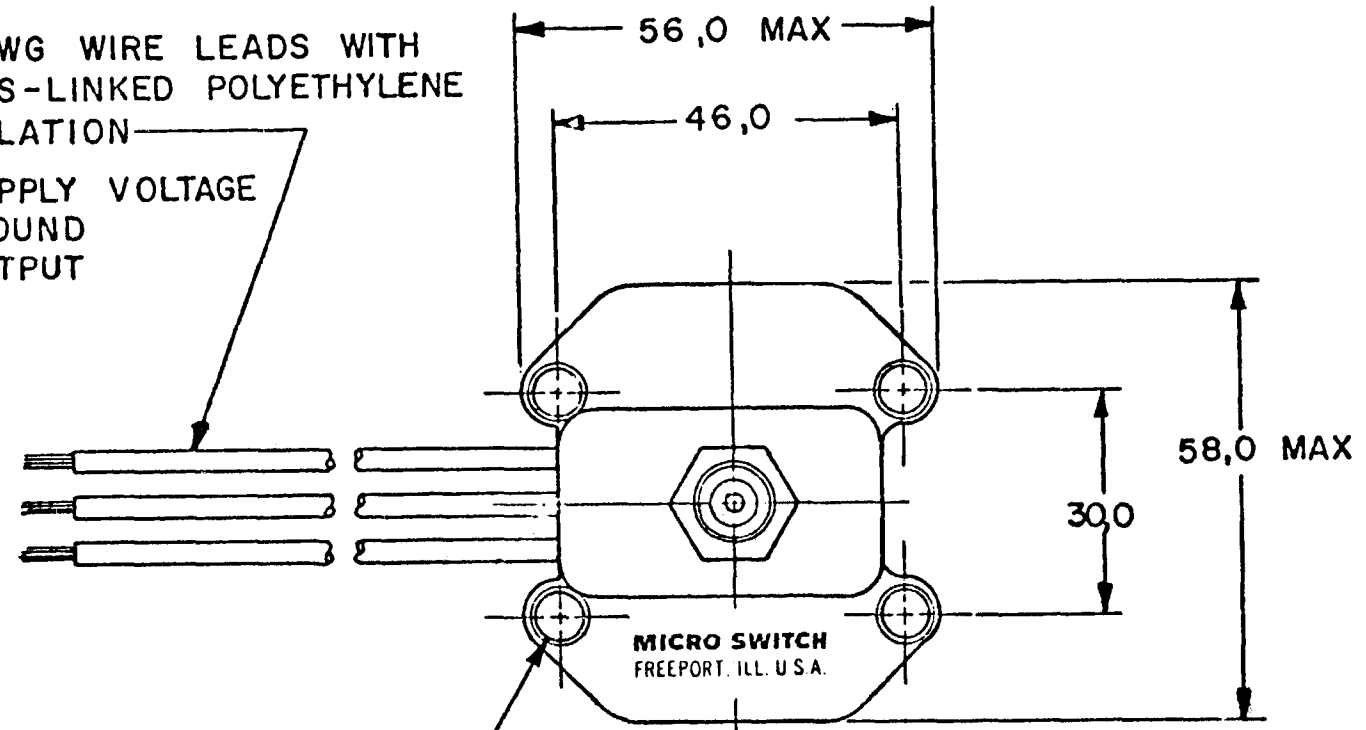
CATALOG LISTING
242PC125 SERIES

THIS DRAWING COVERS A PROPRIETARY ITEM AND IS THE PROPERTY OF MICRO SWITCH, A DIVISION OF HONEYWELL. THIS DRAWING IS NOT TO BE COPIED OR USED WITHOUT THE APPROVAL OF MICRO SWITCH.

CHART 1

CATALOG LISTING 242PC125G	INPUT PORT SEAL MATERIAL BUNA-N	INPUT MEDIA COMPATIBILITY Δ 3 OILS, FUELS, LUBRICANTS

#18 AWG WIRE LEADS WITH
 CROSS-LINKED POLYETHYLENE
 INSULATION
 RED = SUPPLY VOLTAGE
 BLK = GROUND
 GRN = OUTPUT



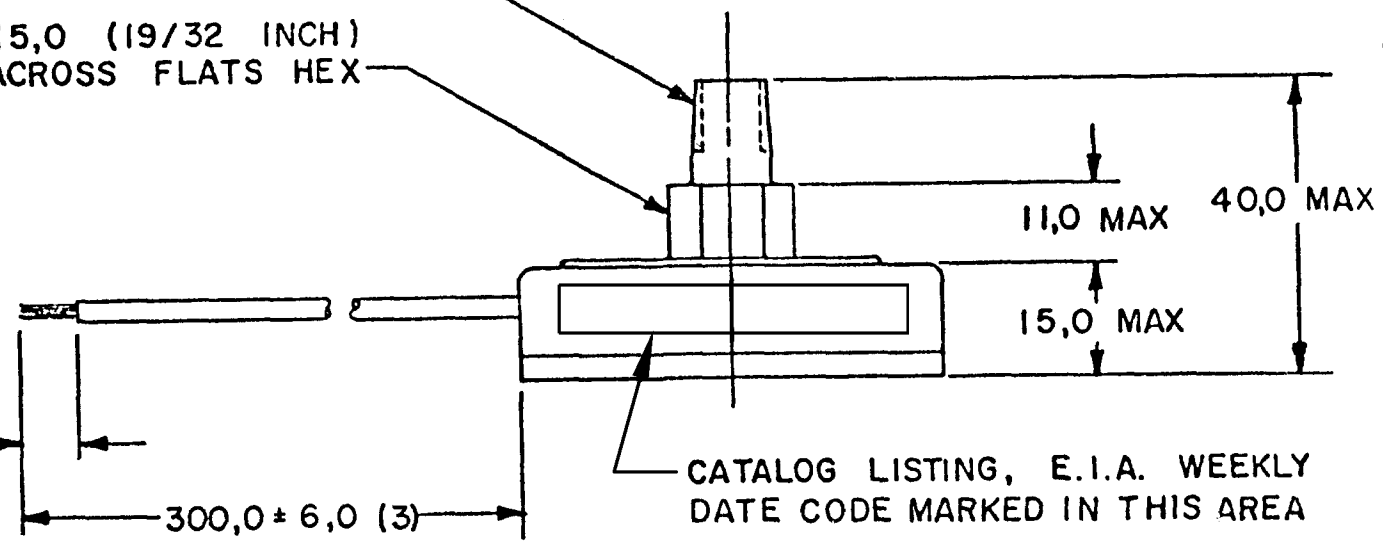
GENERAL OPERATING CHARACTERISTICS	
PRESSURE RANGE	0 TO 125 PSIG (0 TO 862 KPa)
PROOF PRESSURE	250 PSI MAX (1723 KPa MAX)
BURST PRESSURE	800 PSI TYP (5516 KPa TYP)
TEMPERATURE RANGES	
STORAGE	-40° TO +85°C
OPERATE	-40° TO +85°C
COMPENSATED	-18° TO +63°C
SUPPLY VOLTAGE	7.0 TO 16.0 VDC
SUPPLY CURRENT	20 mA MAX WITH 10K LOAD
SHORT CIRCUIT LIMIT	MAY BE SHORTED INDEFINITELY
OUTPUT VOLTAGE	PROPORTIONAL TO SUPPLY VOLTAGE
GROUND REFERENCE	SUPPLY AND OUTPUT ARE COMMON

ELECTRICAL PERFORMANCE AT 25°C AND 8.00 ± 0.01 VDC SUPPLY	
NULL (0 PSIG)	1.00 ± 0.05 VDC
FULL SCALE (125 PSIG)	6.00 ± .200 VDC
SENSITIVITY	40 mV/PSI TYP
LINEARITY (% F.S.O.) Δ 2 (BFSL)	± 0.5% MAX
HYSTERISIS & REPEATABILITY (%F.S.O.) Δ 2	± 0.25% TYP
TEMPERATURE ERROR (%F.S.O.) Δ 2	
-18° < 25° > 63°C	± 1.0 MAX
-40° < 25° > 85°C	± 2.0 TYP
RESPONSE TIME	1 m SEC MAX

CLEARANCE FOR M5 OR
 #10 ENGLISH FASTENER (4)

1/8-27 NPT THREADED
 INPUT PORT (PRESSURE P2)

15.0 (19/32 INCH)
 ACROSS FLATS HEX



CATALOG LISTING, E.I.A. WEEKLY
 DATE CODE MARKED IN THIS AREA

NOTES

- 1 - HOUSING IS BLACK ANODIZED ALUMINUM
- Δ 2 F.S.O. IS THE ALGEBRAIC DIFFERENCE BETWEEN THE OUTPUT END POINTS (NULL AND FULL PRESSURE)
- Δ 3 CONTACT MICRO SWITCH FOR MORE DETAILED INFORMATION CONCERNING MEDIA COMPATABILITY
- 4 - MEETS MIL STD 202-F, METHOD 302, INSULATION RESISTANCE WITH 1000 VDC - MINIMUM 10 MEG OHMS
- 5 - MEETS MIL STD 202-F, METHOD 301, DIELECTRIC STRENGTH WITH 1500 VDC - MAXIMUM 500 MICRO AMPS

METRIC	INCH	THIRD ANGLE PROJECTION	
2,5	.10		
30,0	1.18		
11,0	.43	SCALE FULL	
15,0	.59	DO NOT SCALE PRINT	
40,0	1.57	TOLERANCES	
46,0	1.81	APPLY TO DESIGN UNITS. CONVERSIONS ARE ONLY FOR REFERENCE. UNLESS NOTED, TOLERANCES ARE:	
56,0	2.20	DIM.	TOL.
58,0	2.28	mm	mm/in
300.0	11.81	mm	mm/in
		NO PLACES	1/100
		ONE PLACE	0.4/0.18
		TWO PLACES	0.18/0.08
		THREE PLACES	0.18/0.05
		ANGLES	0.13/0.005
		DESIGN UNITS	SI METRIC <input checked="" type="checkbox"/> US CUSTOMARY <input type="checkbox"/>
		WEIGHT 85G (3 OZ) MAX	

CATALOG LISTING
M 242PC125 SERIES CHART 1
 PAGE 1 OF 1
 ISSUE 3
 REVISIONS
 A 79606
 K D R
 5 FEB 94
 B 200565
 C S I
 8 JUN 00
 CHECK
 KAG 23 JUN 94
 CHECK
 KAG
 10 JUN 94
 CHECK
 KAG
 FORMTEK
 DRAWN
 KDR
 RELEASE NO. CO-18465
 REPLACES 242PC125 CHART 1