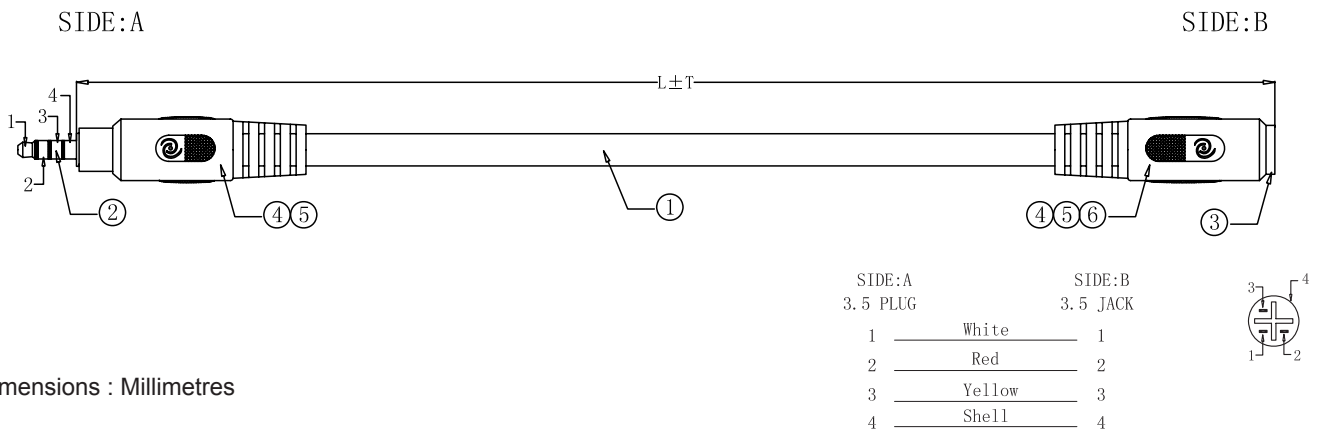


3.5mm 4 Pole Plug to 3.5mm Stereo Jack



Diagram



Dimensions : Millimetres

1. Cable : SLV Series Audio/Video Interconnect Cable [(10/0.12BC) × 3C + S (32/0.12BC) OD: 4 ±0.15mm
2. Plug : 3.5 Stereo Plug Nickel Plated
3. Plug : 3.5 Stereo Jack Nickel Plated
4. H.S. Tube OD 1 × 6mm Black 125°C
5. 45P PVC Cool Grey
6. OD : 3.5 Stereo Jack Nickel Plated

Part Number Table

Description	Length (L ±T) (mm)	Part Number
3.5mm 4 Pole Plug to 3.5mm Stereo Jack	3 ±0.03	24-12101
	6 ±0.06	24-12102
	12 ±0.1	24-12103
	50 ±0.4	24-12105