

24

2411 07

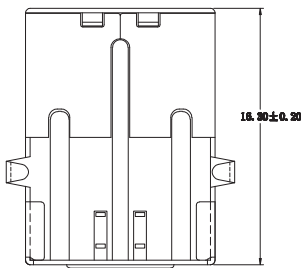
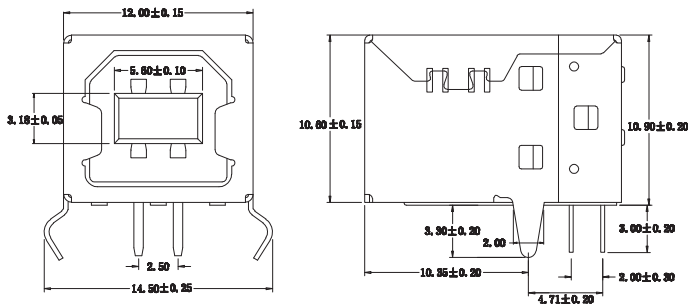
USB and IEEE 1394 connectors



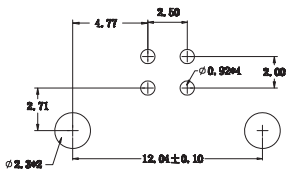
USB 2.0 chassis socket type B, angular version, for printed circuit boards

24

2411 07



*a



*a printed circuit board layout

Environmental conditions

Temperature range -40 °C/+85 °C

Materials

Insulating body PBT, V-0 according to UL94
 Contact spring CuZn, gold-plated in mating area, tin-plated in solder area
 Housing CuZn/steel, nickel-plated

Mechanical data

Insertion force ≤ 35 N
 Withdrawal force ≥ 10 N

Electrical data (at T_{amb} 20 °C)

Contact resistance ≤ 30 mΩ
 Rated current 1.5 A
 Rated voltage 30 V DC
 Rated impulse voltage 500 V AC
 Insulation resistance ≥ 1 GΩ

Associated products

Counterparts
 ☞ 2431

Accessories
 ☞ 2412 02

24

2411 07

Designation	Pole Number	PU (Pieces)	MDQ (Pieces)
2411 07	4	100	500

Packaging:
in a tray