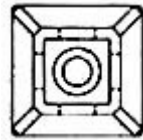




**Cradle Mounts**

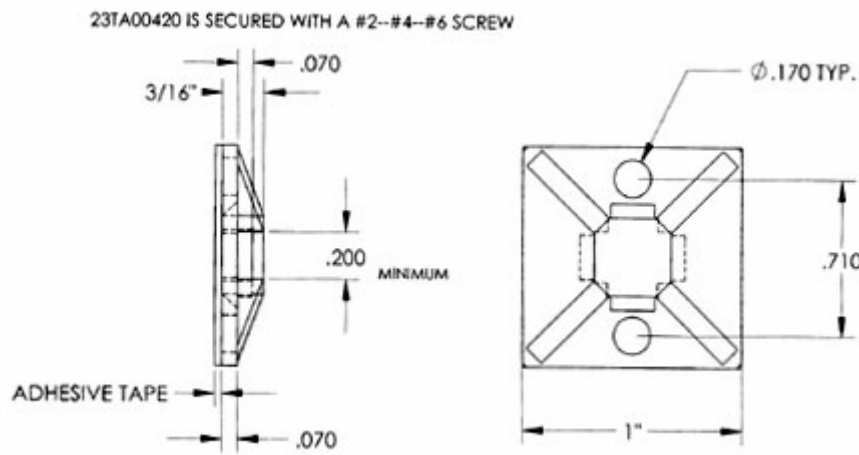
**MENU**



Cradle Mounts are used in applications where a low profile is necessary. Each mount offers a four way entry and is secured with either a screw or adhesive backing. 23TA00400 is secured with a #2 - #4 or #6 screw, 23TA00495 uses a #6 flat head screw. NOTE: the adhesive mounts have an acrylic foam backing that should be used on a smooth, clean, dry surface.

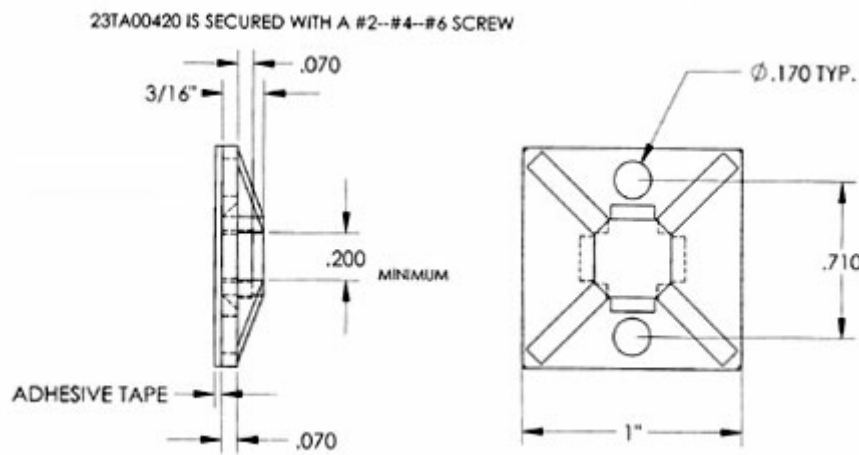
[Filter List](#) [Advanced Sort](#) [Display Options](#)

**1" Cradle Mount with Adhesive**



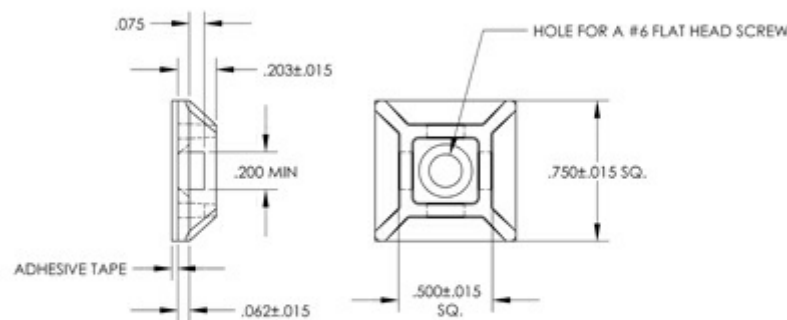
Item Number	Description	Packaged Qty
23TA00400	1 IN CRADLE MOUNT (ADH) M01 Pre-Packaged @ 1,000pcs/L-bag	1000

**1" Cradle Mount without Adhesive**



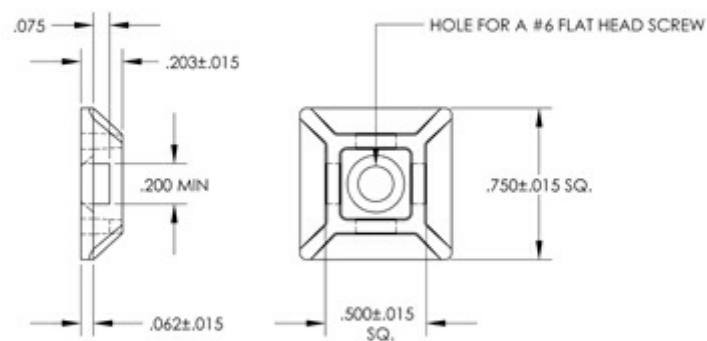
Item Number	Description
23TA00420	1 IN CRADLE MOUNT (SCREW) M01

**3/4" Cradle Mount with Adhesive**



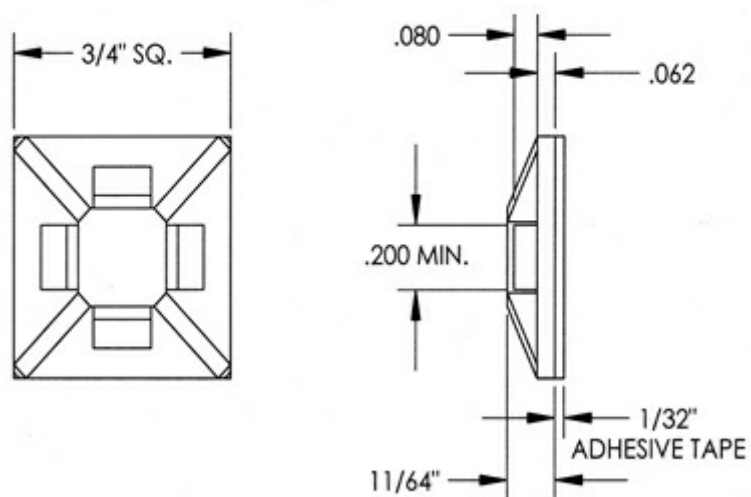
Item Number	Description	Packaged Qty	Slot Width
-------------	-------------	--------------	------------

**3/4" Cradle Mount without Adhesive**



Item Number	Description	Slot Width
23TA00495	3/4 CRADLE MT SCREW M01	0.075

**3/4 Cradle Mount with Adhesive**



Item Number	Description	Packaged Qty
23TA00500	3/4 CDLE MNT NO SCR HOLE ADHM01 Pre-Packaged @ 1,000pcs/L-bag	1000