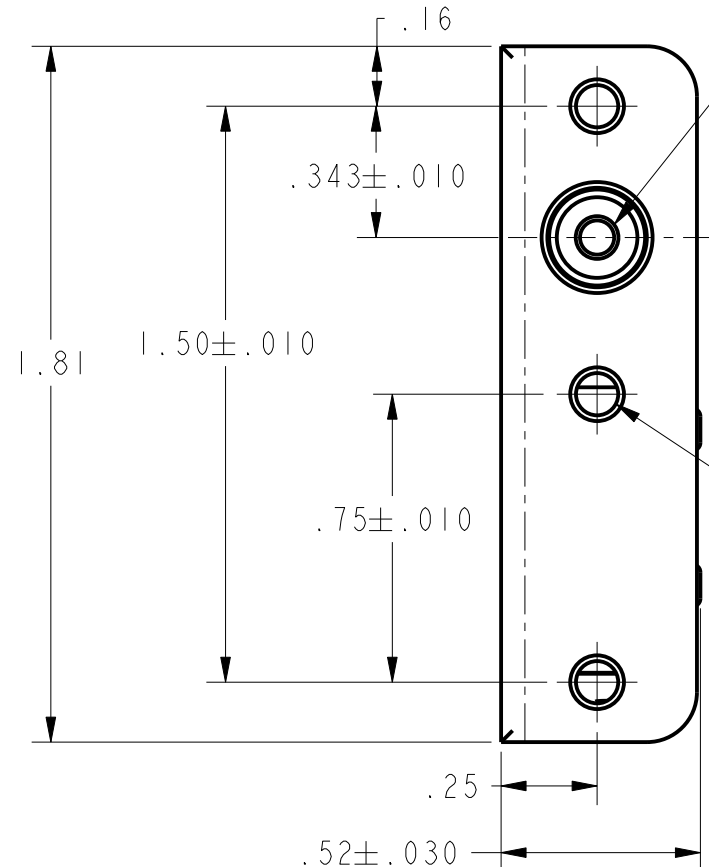


HONEYWELL PART NUMBER
23AC82
KC-RI634

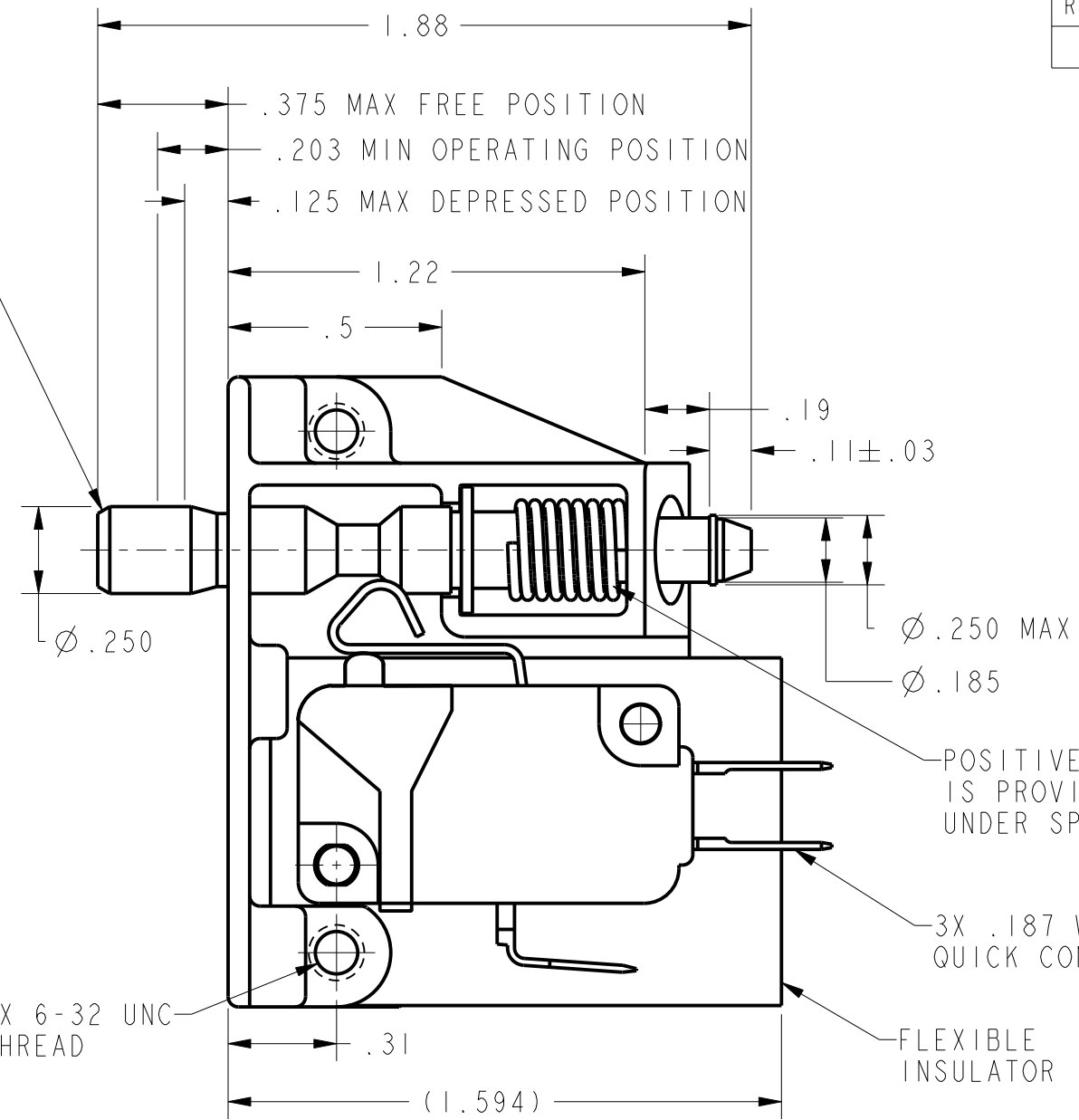
REV	DOCUMENT	CHANGED BY	CHECK
3	0033368	BS 18JAN08	BLR

PUSH TO OPERATE-RETURNS
AUTOMATICALLY TO POSITION
SHOWN
PULL TO OPERATE-REMAINS IN
OPERATED POSITION UNTIL RESET
FOR AUTOMATIC RETURN BY NEXT
FULL STROKE "PUSH" OPERATION



4-40 UNC THREAD
▽ 0.375 MIN
HOLE IN BRACKET
3X 6-32 UNC THREAD

2X 6-32 UNC THREAD



POSITIVE OVERTRAVEL STOP IS PROVIDED ON ROD UNDER SPRING

3X .187 WIDE X .020 THICK QUICK CONNECT TERMINALS

FLEXIBLE INSULATOR

- NOTES
- UNIT INCLUDES CATALOG LISTING "V7-6A17D8-296-S" BASIC SWITCH
 - BASIC SWITCH PLASTIC PARTS ARE MADE OF GLASS FILLED PCT AND TEFLON FILLED PHENOLIC
 - ACTUATOR ROD MADE OF HIGH STRENGTH PLASTIC
 - UL AND CSA APPROVALS APPLY TO BASIC SWITCH ONLY

CHARACTERISTICS	ELECTRICAL DATA	DESIGN UNITS: INCH	DRAWN	BS	18JAN08	Honeywell		
		TOLERANCES UNLESS NOTED:	CHECK	BLR	18JAN08			
TOTAL TRAVEL:	CONTACT ARRANGEMENT	NO PLACES .X ± 0.030	THIS DRAWING COVERS A PROPRIETARY ITEM AND IS THE PROPERTY OF HONEYWELL. THIS DRAWING IS NOT TO BE COPIED OR USED WITHOUT THE PERMISSION OF HONEYWELL.			TITLE		
.250 APPROX PUSH DIRECTION	S P D T	ONE PLACE .X ± 0.015				ASSEMBLY-SWITCH		
.187 APPROX PULL DIRECTION		TWO PLACE .XX ± 0.005				SIZE		
FULLY DEPRESSED FORCE-- 4 LBS MAX	5A 125, <u>250</u> , 277 VAC 1/10HP <u>250</u> VAC	THREE PLACE .XXX ±				TYPE		
		ANGLES X ±	INTERPRET PER ASME Y14.5M-1994 OTHER HONEYWELL ENGINEERING STANDARDS MAY APPLY			DRAWING NAME		
		THIRD ANGLE PROJECTION	Pro/ENGINEER 3D			23AC82		
			SCALE			REV		
			2:1			3		
			SHEET			1 OF 1		