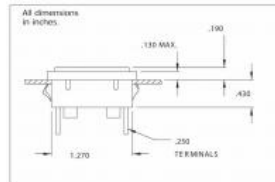


## Products

### Neon & Incandescent Indicators

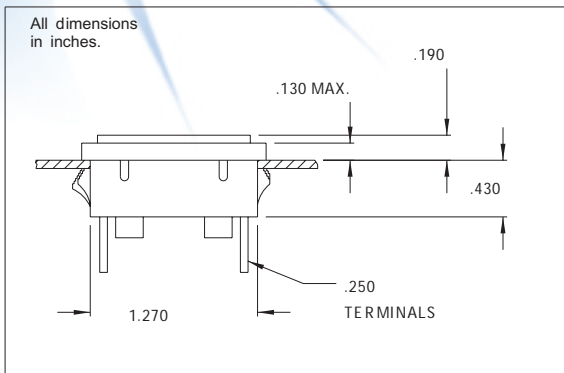
CML IT offers panel mount indicators manufactured with LED, Neon or Incandescent light sources. These indicators are available in a number of different lens and termination styles, with voltages of 2V ~ 250V available off-the-shelf.



**Part Number:** 2390QD1-28V  
**Serial Number:** 2390  
**Light Source:** Incandescent  
**Color:** Red  
**Voltage (V):** 28V  
**Mounting Hole (inch):** 1.276 x .395  
**Mounting Hole (metric):** 32.41 x 10.03  
**Termination:** .250" QC  
**Bezel color:** Stainless Steel  
**Housing color:** White  
**UL file:** E20325  
**CSA file:** LR13346  
**RoHS Status:** Yes

**2330QD, 2332QD and 2390QD Series Non-Relampable Neon-Incandescent Indicator Lights**

**DESCRIPTION AND FEATURES**



Mounting: Will snap-fit into .032/.100 thick panel, use speednut for other panel thicknesses. Available with speednut SN1963.  
 Mounting hole pattern on page SP3.

Terminals: Quick-connect, tinned brass.

Lens: Polycarbonate

Bezel: Polished stainless steel.  
 For black finish add "X" after the series letter(s).

| Lens Color | Neon  | Incandescent                         |
|------------|---|--------------------------------------|
|            | Model No.<br>(105-125VAC)<br>.250 Terminals | Model No.<br>(28V)<br>.250 Terminals |
| Red        | 2330QD1                                     | 2390QD1-28V                          |
| Amber      | 2330QD3                                     | 2390QD3-28V                          |
| White      | 2330QD4                                     | 2390QD4-28V                          |
| Green      | 2332QD5*                                    | 2390QD5-28V                          |
| Lamp used  | C6A+Resistor                                | #2187                                |

\*Incorporates G2B lamp and resistor  
 Underwriters Laboratories (UL) File No. E20325  
 Canadian Standards Association (CSA) File No. LR13346