

4

3

2

1

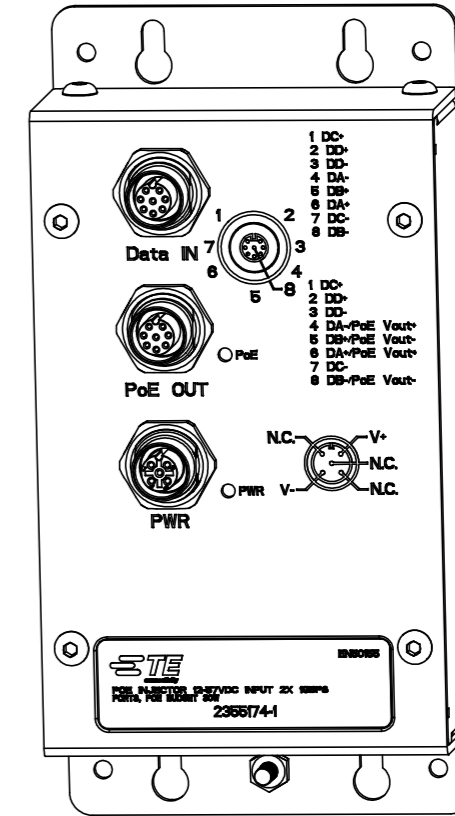
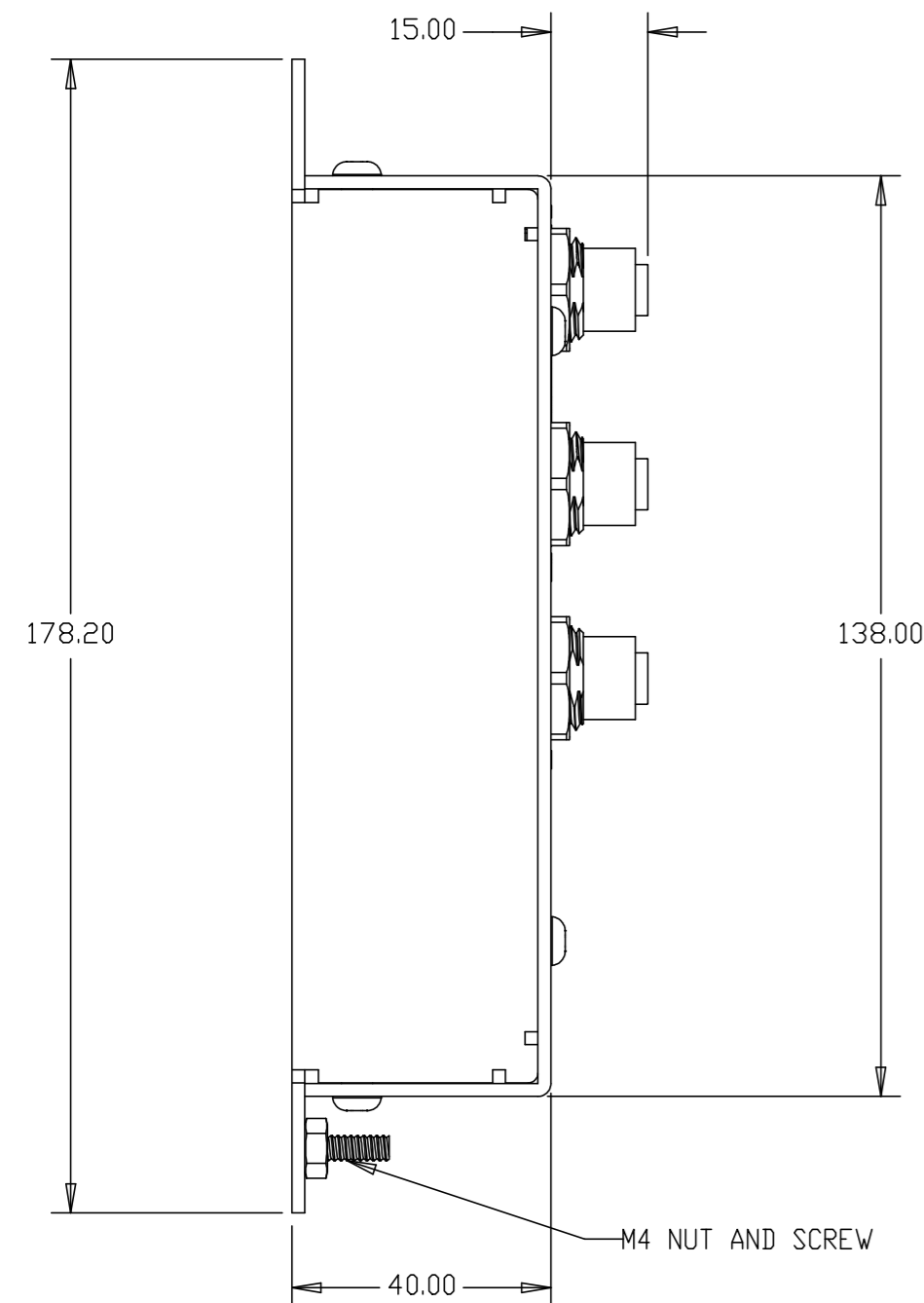
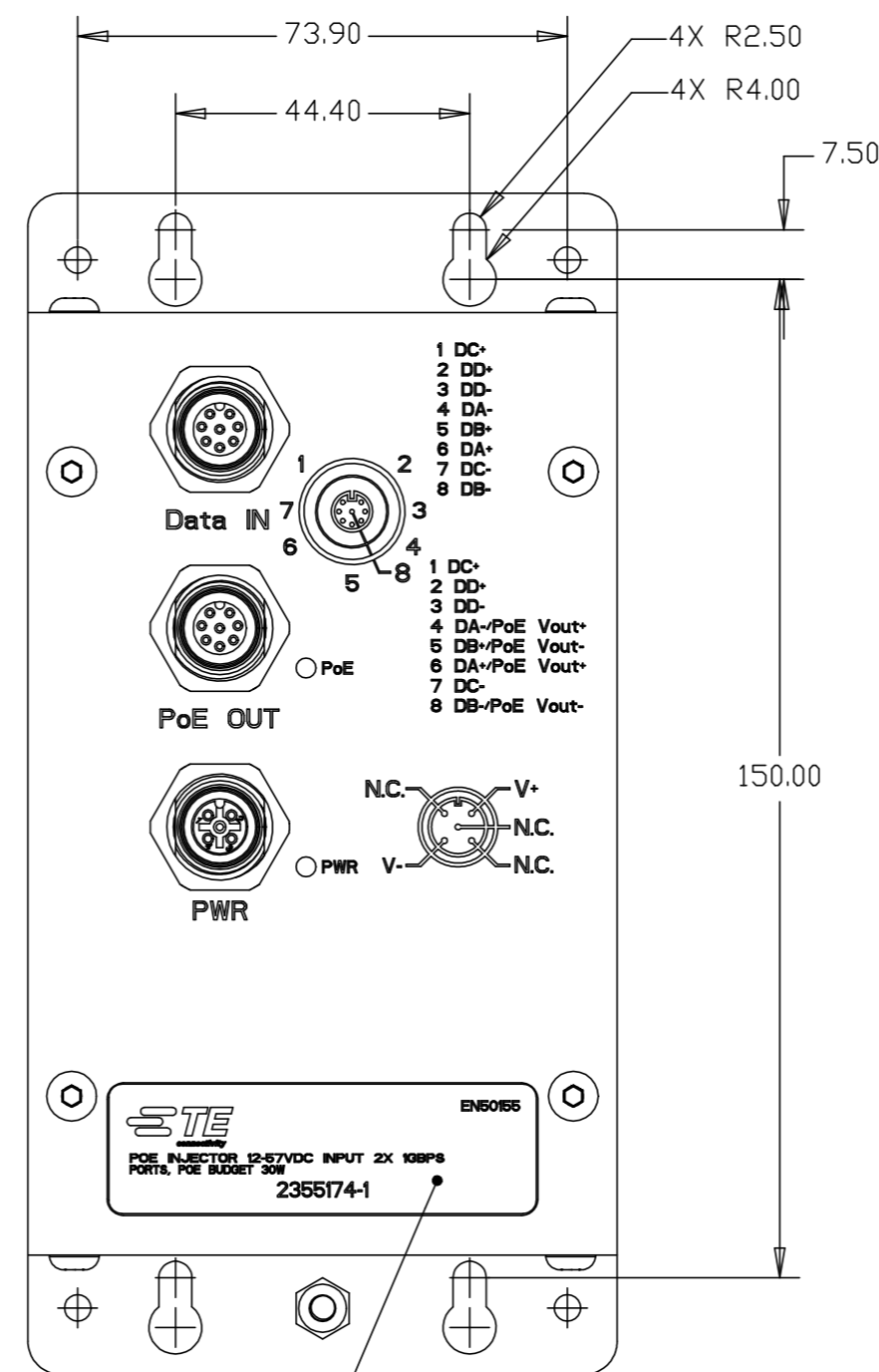
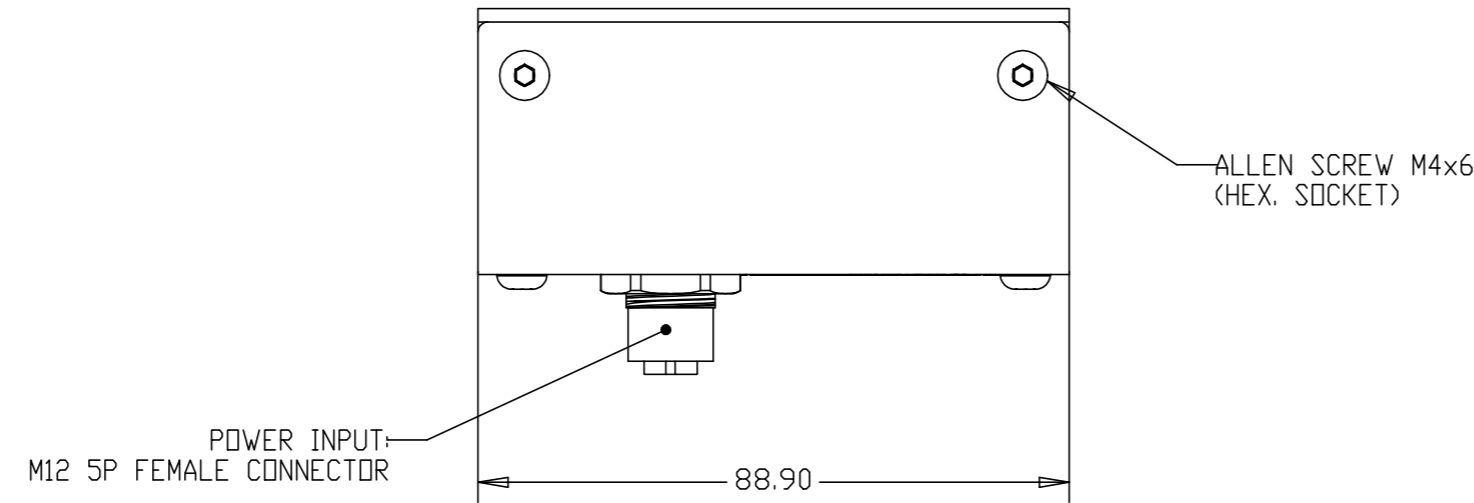
THIS DRAWING IS UNPUBLISHED. RELEASED FOR PUBLICATION
 © COPYRIGHT - 03JUL2019 ALL RIGHTS RESERVED.

PROJECT	PRJ-17-000905364
PART NO.	2355174-1
DESCRIPTION	POE INJECTOR
CUSTOMER	GENERAL MARKET

REVISIONS					
P	LTR	DESCRIPTION	DATE	DWN	APVD
	A	INITIAL RELEASE	24JUL2019	GK	SE

NOTES:

1. LEADING EN50155-COMPLIANT ETHERNET SWITCH FOR INDUSTRIAL APPLICATIONS, SUCH AS ROLLING STOCK, VEHICLE, AND RAILWAY APPLICATIONS.
2. M12 CONNECTORS TO GUARANTEE RELIABLE OPERATION AGAINST ENVIRONMENTAL DISTURBANCES.
3. RIGID IP-40 HOUSING DESIGN AND WALL MOUNTED.



PICTORIAL VIEW

FUNCTION	CONNECTOR ON SWITCH	REMARKS
POE OUT	M12 FEMALE A8 CODED	
DATA IN	M12 FEMALE A8 CODED	
POWER IN	M12 FEMALE A5 CODED	12-57VDC

SL. NO.	PART NO.	DESCRIPTION	NO. OF PORTS	POE PORTS	SPEED	INPUT POWER
1	2355174-1	POE INJECTOR 12-57VDC INPUT 2X 10Gbps PORTS, POE BUDGET 30W	1	1	10/100/1000 Base-T(X)	12-57VDC

THIS DRAWING IS A CONTROLLED DOCUMENT.

DIMENSIONS: mm	TOLERANCES UNLESS OTHERWISE SPECIFIED:	DWN 24JUL2019 GOPALAKRISHNA HV	TE Connectivity		
0 PLC ± -	1 PLC ± -	CHK 24JUL2019 S. EGBERT	NAME POE INJECTOR		
2 PLC ± -	3 PLC ± -	APVD 24JUL2019 S. EGBERT	PRODUCT SPEC -		
4 PLC ± -	ANGLES ± -	APPLICATION SPEC -	SIZE CAGE CODE DRAWING NO RESTRICTED TO		
MATERIAL -	FINISH -	WEIGHT 0	A2 00779	C=2355174	-
CUSTOMER DRAWING			SCALE NTS	SHEET 1 of 2	REV A

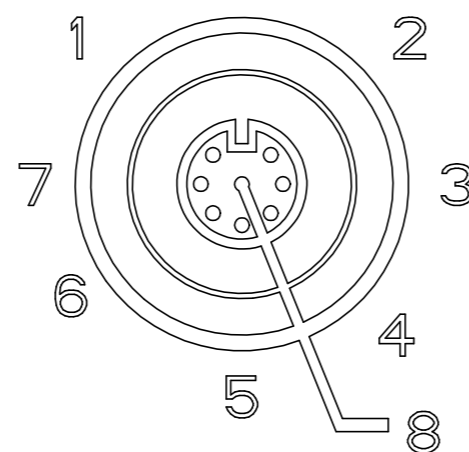
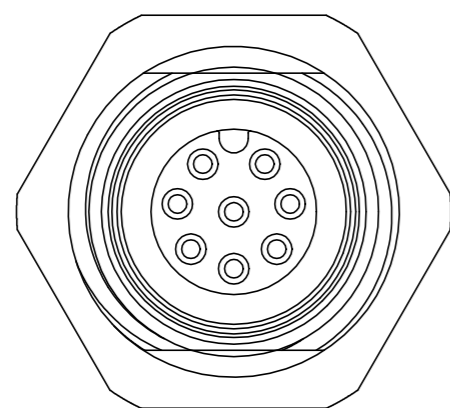
2355174

B

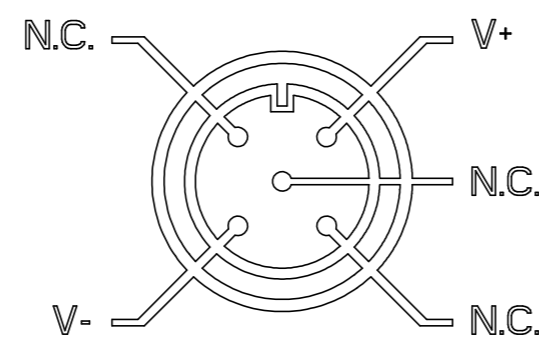
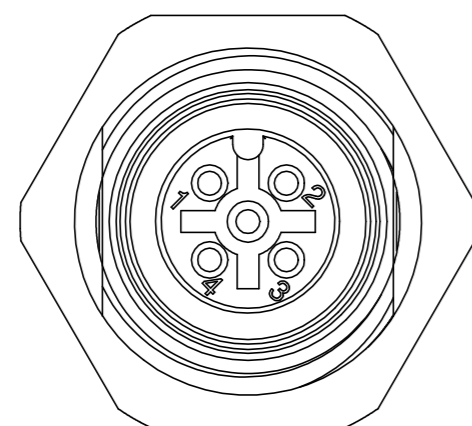
A

THIS DRAWING IS UNPUBLISHED. RELEASED FOR PUBLICATION
 © COPYRIGHT - 03JUL2019 ALL RIGHTS RESERVED.

REVISIONS					
P	LTR	DESCRIPTION	DATE	DWN	APVD
-	-	SEE SHEET 1	-	-	-



1000 BASE-T		
PIN	M12 INPUT (DATA ONLY)	M12 OUTPUT (DATA AND POWER)
1	BI_DC+	BI_DC+
2	BI_DD+	BI_DD+
3	BI_DD-	BI_DD-
4	BI_DA-	BI_DA- (Vdc+)
5	BI_DB+	BI_DB+ (Vdc-)
6	BI_DA+	BI_DA+ (Vdc+)
7	BI_DC-	BI_DC-
8	BI_DB-	BI_DB- (Vdc-)



PIN ASSIGNMENTS FOR M12 A5 POWER CONNECTOR	
POWER OUT	
1	NC
2	V+
3	NC
4	V-
5	NC

THIS DRAWING IS A CONTROLLED DOCUMENT.		DWN GOPALAKRISHNA HV 24JUL2019		
DIMENSIONS: mm		CHK S. EGBERT 24JUL2019		
TOLERANCES UNLESS OTHERWISE SPECIFIED:		APVD S. EGBERT 24JUL2019	NAME POE INJECTOR	
0 PLC ± - 1 PLC ± - 2 PLC ± - 3 PLC ± - 4 PLC ± - ANGLES ± - FINISH -		PRODUCT SPEC -	APPLICATION SPEC -	RESTRICTED TO -
MATERIAL	-	WEIGHT 0	SIZE A2	CAGE CODE 00779
CUSTOMER DRAWING			DRAWING NO C=2355174	SCALE NTS
			SHEET 2 of 2	REV A