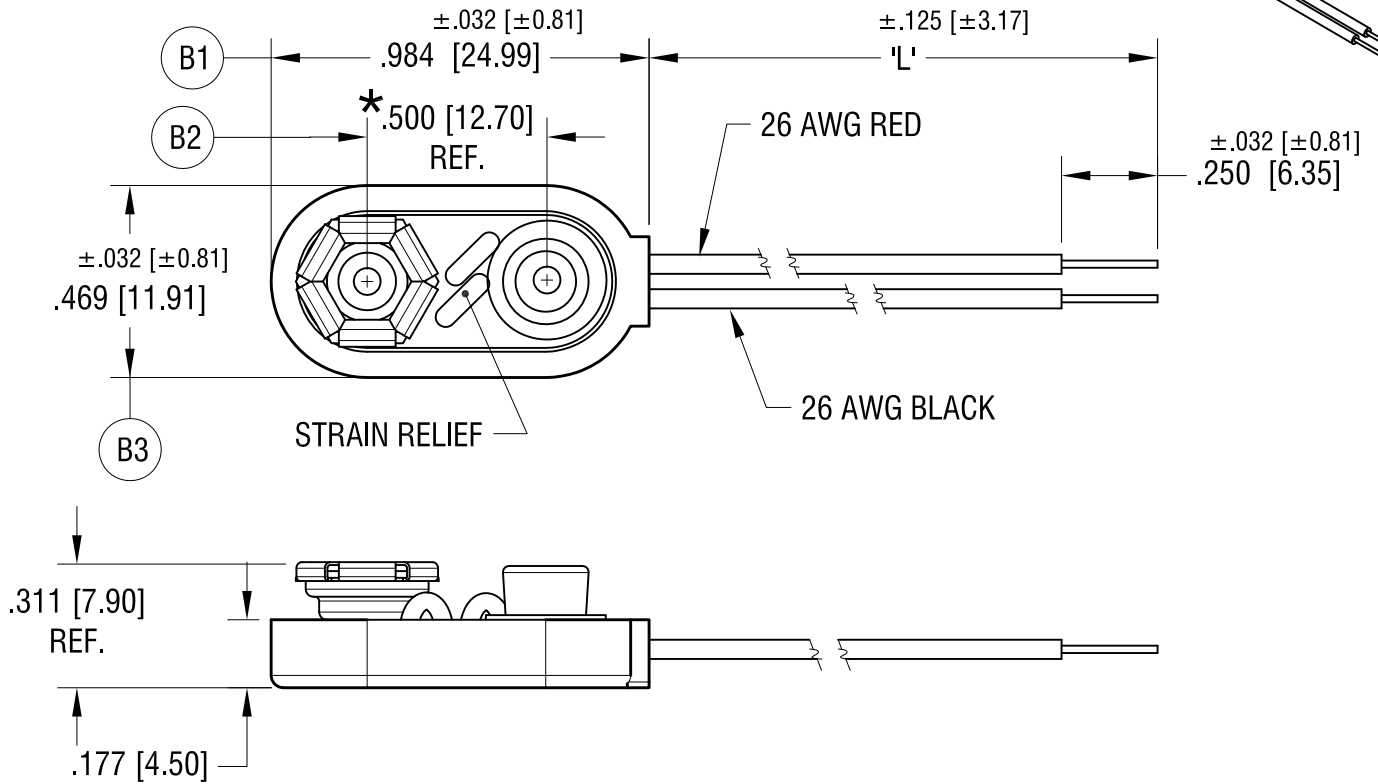
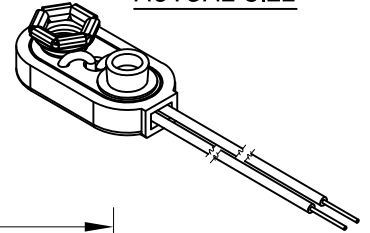


THIS DOCUMENT IS THE PROPERTY OF KEYSTONE ELECTRONICS CORP. AND SHALL NOT BE REPRODUCED, DISTRIBUTED OR USED AS A BASIS FOR MANUFACTURE WITHOUT PRIOR WRITTEN PERMISSION FROM KEYSTONE ELECTRONICS CORP.

ACTUAL SIZE



NOTE:

- MAT'L:
WIRE: 26 AWG, 1007 UL/CSA APPROVED
CONTACTS: BRASS, NICKEL PLATE
COVER: MOLDED ABS
- RED WIRE CONNECTED TO FEMALE CONTACT;
BLACK WIRE CONNECTED TO MALE CONTACT.
- ★ REF. DIMENSION MUST FIT
INDUSTRY STANDARD 9 VOLT BATTERY.

PART NO.	'L' DIM.
232-M	4.000 [101.60]
233-M	6.000 [152.40]
234-M	8.000 [203.20]

DATE	DESCRIPTION	REV.
8.11.21	ADD NOTE TO (B2), (B3) WAS .469±.020 ECN 21-083 (B1) WAS .984±.020	B
6.08.21	ECN 21-049 SPLIT C/M TO C&M	A

KEYSTONE ELECTRONICS CORP.
www.keyelco.com • NEW HYDE PARK, NY 11040 • Tel (516) 328-7500

PART NAME
MOLDED ECONOMY '9' VOLT BATTERY STRAP

MATERIAL
AS NOTED

FINISH
AS NOTED

DRN BY BOONE DATE 11.11.05
APP'D LN SCALE 2X

TOLERANCES INCH [MM]
DECIMAL ±.020 [±0.50]
ANGULAR ± 1°
UNLESS OTHERWISE SPECIFIED

CODE
C

DWG NO.
232-M - 234-M