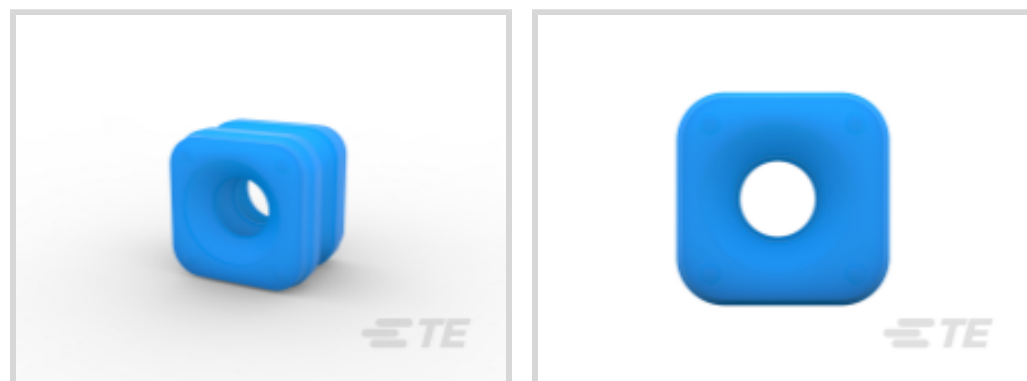


[Power Versa-Lock](#) | [Power Versa-Lock 5.0](#)

TE Internal #: 2325349-1

Power Versa-Lock 5.0, Rectangular Connector Seals, Gang Wire Seal, Accepts Wire Insulation Diameter Range 2.45 – 3.6 mm [.097 – .142 in], Wire-to-Wire

[View on TE.com >](#)
[Connectors](#) > [Rectangular Connectors](#) > [Rectangular Connector Accessories](#) > [Rectangular Connector Seals](#)
Connector Seal Type: **Gang Wire Seal**Accepts Wire Insulation Diameter Range: **2.45 – 3.6 mm [.097 – .142 in]**Connector System: **Wire-to-Wire**Number of Positions: **1**Sealable: **Yes**

Features

Product Type Features

Accessory Color	Blue
Product Type	Accessory
Connector Seal Type	Gang Wire Seal
Connector System	Wire-to-Wire
Sealable	Yes
Connector & Contact Terminates To	Wire & Cable

Configuration Features

Number of Positions	1
---------------------	---

Body Features

Material	Silicone Rubber
Seal Color	Blue
Seal Material	Silicone Rubber

Dimensions

Accepts Wire Insulation Diameter Range	2.45 – 3.6 mm [.097 – .142 in]
--	--------------------------------

Usage Conditions

Operating Temperature Range	-30 – 105 °C [-22 – 221 °F]
-----------------------------	-----------------------------

Operation/Application



For Use With	Power Versa-Lock Sealed Connectors
Circuit Application	Power & Signal

Other

Comment	IP67
---------	------

Product Compliance

[For compliance documentation, visit the product page on TE.com>](#)

EU RoHS Directive 2011/65/EU	Compliant
EU ELV Directive 2000/53/EC	Not Yet Reviewed
China RoHS 2 Directive MIIT Order No 32, 2016	No Restricted Materials Above Threshold
EU REACH Regulation (EC) No. 1907/2006	Current ECHA Candidate List: JAN 2021 (211) Candidate List Declared Against: JAN 2021 (211) Does not contain REACH SVHC
Halogen Content	Low Halogen - Br, Cl, F, I < 900 ppm per homogenous material. Also BFR/CFR/PVC Free
Solder Process Capability	Not reviewed for solder process capability

Product Compliance Disclaimer

This information is provided based on reasonable inquiry of our suppliers and represents our current actual knowledge based on the information they provided. This information is subject to change. The part numbers that TE has identified as EU RoHS compliant have a maximum concentration of 0.1% by weight in homogenous materials for lead, hexavalent chromium, mercury, PBB, PBDE, DBP, BBP, DEHP, DIBP, and 0.01% for cadmium, or qualify for an exemption to these limits as defined in the Annexes of Directive 2011/65/EU (RoHS2). Finished electrical and electronic equipment products will be CE marked as required by Directive 2011/65/EU. Components may not be CE marked. Additionally, the part numbers that TE has identified as EU ELV compliant have a maximum concentration of 0.1% by weight in homogenous materials for lead, hexavalent chromium, and mercury, and 0.01% for cadmium, or qualify for an exemption to these limits as defined in the Annexes of Directive 2000/53/EC (ELV). Regarding the REACH Regulation, the information TE provides on SVHC in articles for this part number is based on the latest European Chemicals Agency (ECHA) 'Guidance on requirements for substances in articles' posted at this URL: <https://echa.europa.eu/guidance-documents/guidance-on-reach>

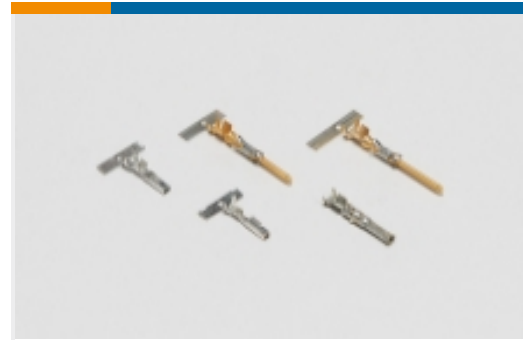
Compatible Parts



Also in the Series | Power Versa-Lock 5.0



Insertion & Extraction Tools(2)



Power Contacts(8)



Rectangular Caps & Covers(3)



Rectangular Connector Locking(1)

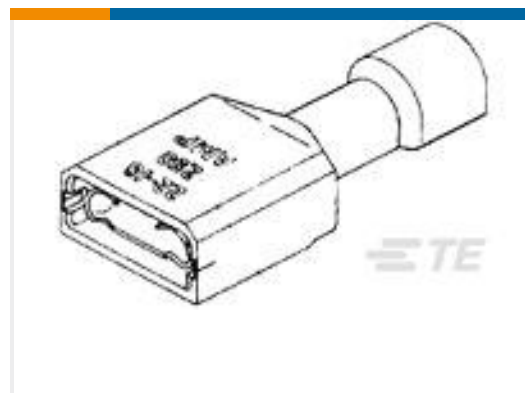


Rectangular Connector Seals(6)



Rectangular Power Connectors(33)

Customers Also Bought



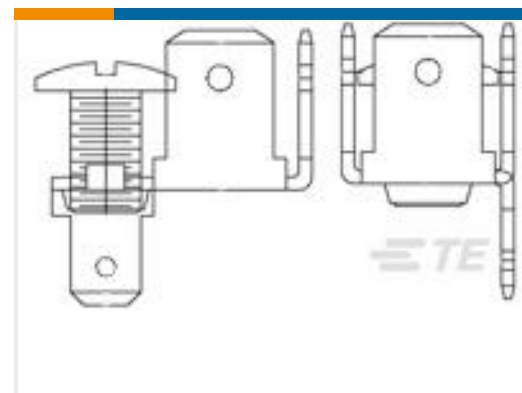
TE Part #9-520181-2
ULTRA-FAST 187 ASSEMBLY REC 22-18 TPBR



TE Part #2329907-1
Power Versa-Lock SEAL TAB, 14-16 AWG



TE Part #1-2345729-1
Power Versa-Lock FH CAP, 1X1 KEY A



TE Part #157431-1
250 FASTON,TAB ASSY,BR



TE Part #2325349-3
Power Versa-Lock REAR SEAL, 1X3, LargeID



TE Part #2325349-2
Power Versa-Lock REAR SEAL, 1X2, LargeID



TE Part #2325347-1
Power Versa-Lock INTERFACE SEAL, 1X1



TE Part #1742556-1
RING RONGUE 15-22AWG NPST



TE Part #1742550-1
250 FASTON,TAB,20-15 AWG,NPST



TE Part #1742583-1
FASTON 312 TAB NPST



Documents

CAD Files

3D PDF

3D

Customer View Model

[ENG_CVM_CVM_2325349-1_A.2d_dxf.zip](#)

English

Customer View Model

[ENG_CVM_CVM_2325349-1_A.3d_igs.zip](#)

English

Customer View Model

[ENG_CVM_CVM_2325349-1_A.3d_stp.zip](#)

English

By downloading the CAD file I accept and agree to the [Terms and Conditions](#) of use.

Product Specifications

Engineering Report

English