

D-SUB bus connector - SUBCON-PLUS-PROFIB/90/PG/SC - 2313708

Please be informed that the data shown in this PDF Document is generated from our Online Catalog. Please find the complete data in the user's documentation. Our General Terms of Use for Downloads are valid (<http://phoenixcontact.com/download>)



D-SUB connector, 9-pos., male connector, cable entry < 90°, bus system: PROFIBUS DP up to 12 Mbps with PG D-SUB socket for connecting a programming device, termination resistor can be switched on via slide switch, pin assignment: 3, 5, 6, 8; screw connection terminal blocks

Product Description

The D-SUB series, SUBCON-PLUS-PROFIB/... was specially designed for use in PROFIBUS systems up to 12 Mbps. Under field conditions, it allows convenient and fast connection of the incoming and outgoing bus cable.


The terminating resistor is already integrated in all versions. It can be connected externally by means of a slide switch. At the same time, the outgoing bus segment is switched off. This makes it easy to start up segment by segment while incorrect terminations are avoided.

Your advantages

- Suitable for all common Fast Connect PROFIBUS cables and RS-485 bus lines



Key Commercial Data

Packing unit	1 pc
GTIN	 4 046356 514156
GTIN	4046356514156
Weight per Piece (excluding packing)	40.000 g
Custom tariff number	85366990
Country of origin	Germany

Technical data

Dimensions

Max. cable diameter	8.4 mm
Min. cable diameter	7.6 mm
Width	16.8 mm
Height	34.8 mm
Length	72 mm

D-SUB bus connector - SUBCON-PLUS-PROFIB/90/PG/SC - 2313708

Technical data

Ambient conditions

Ambient temperature (operation)	-20 °C ... 75 °C
Ambient temperature (storage/transport)	-25 °C ... 80 °C
Altitude	≤ 5000 m (For restrictions, see the manufacturer's declaration for altitude operation)
Degree of protection	IP40

General

Nominal voltage U_N	5 V
Nominal current I_N	100 mA
Bus system	PROFIBUS DP
Signal	PROFIBUS
Insertion/withdrawal cycles	> 200
Test voltage	50 V
SUBCON fixing screws	4-40 UNC
Tightening torque	0.4 Nm
Torque	1.2 Nm (Housing screw)
Housing material	ABS, metal-plated
Pin assignment	3, 5, 6, 8
MTTF	6706 Years (SN 29500 standard, temperature 25°C, operating cycle 21%)
	1817 Years (SN 29500 standard, temperature 40°C, operating cycle 34.25%)
	155 Years (SN 29500 standard, temperature 40°C, operating cycle 100%)

Connection data

Connection	D-SUB connection
Number of positions	9
Connection method	D-SUB connector
Termination resistor	390 Ω
	220 Ω
	390 Ω (Can be connected externally)
Connection	PCB connection
Connection method	Screw connection
Conductor cross section flexible min.	0.14 mm ²
Conductor cross section flexible max.	1 mm ²
Conductor cross section solid min.	0.14 mm ²
Conductor cross section solid max.	1.5 mm ²
Min. AWG conductor cross section, flexible	26
Max. AWG conductor cross section, flexible	18
Conductor cross section AWG min.	26

D-SUB bus connector - SUBCON-PLUS-PROFIB/90/PG/SC - 2313708

Technical data

Connection data

Conductor cross section AWG max.	16
Stripping length	5 mm
Tightening torque	0.4 Nm
Connection	Programming connection
Number of positions	9
Connection method	D-SUB socket

Conformance/approvals

Designation	EAC
Identification	EAC
Designation	ATEX
Identification	# II 3 G Ex nA IIC T4 Gc X
Additional text	Please follow the special installation instructions in the documentation!
Designation	Corrosive gas test
Identification	ISA-S71.04-1985 G3 Harsh Group A

Standards and Regulations

Free from substances that could impair the application of coating	according to P-VW 3.10.7 57 65 0 VW-AUDI-Seat central standard
Connection in acc. with standard	CUL

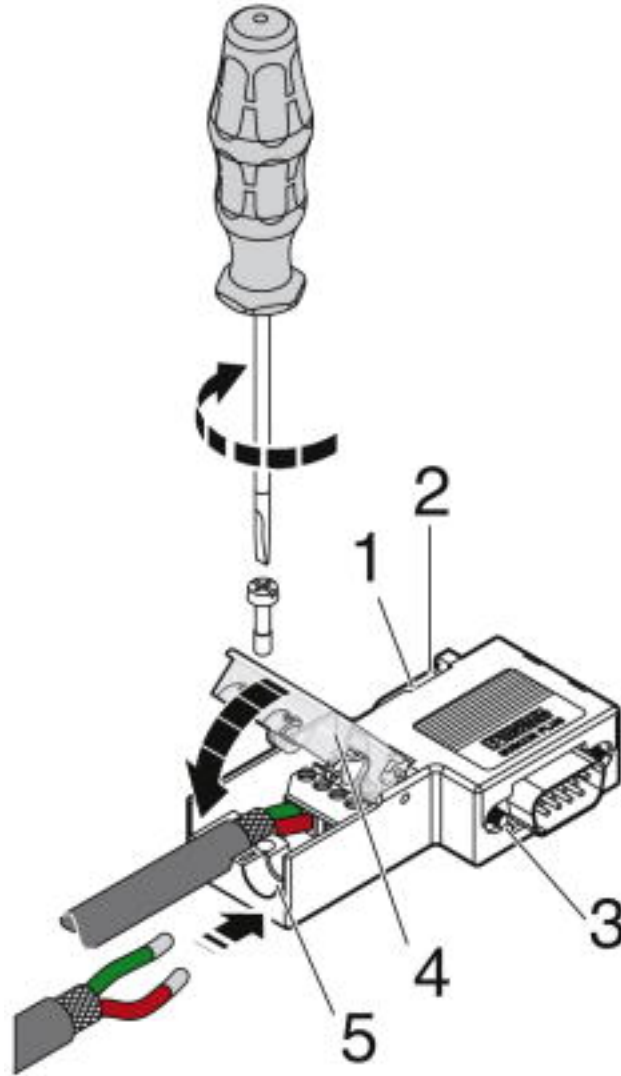
Environmental Product Compliance

REACH SVHC	Lead 7439-92-1
China RoHS	Environmentally Friendly Use Period = 50 years
	For details about hazardous substances go to tab "Downloads", Category "Manufacturer's declaration"

Drawings

D-SUB bus connector - SUBCON-PLUS-PROFIB/90/PG/SC - 2313708

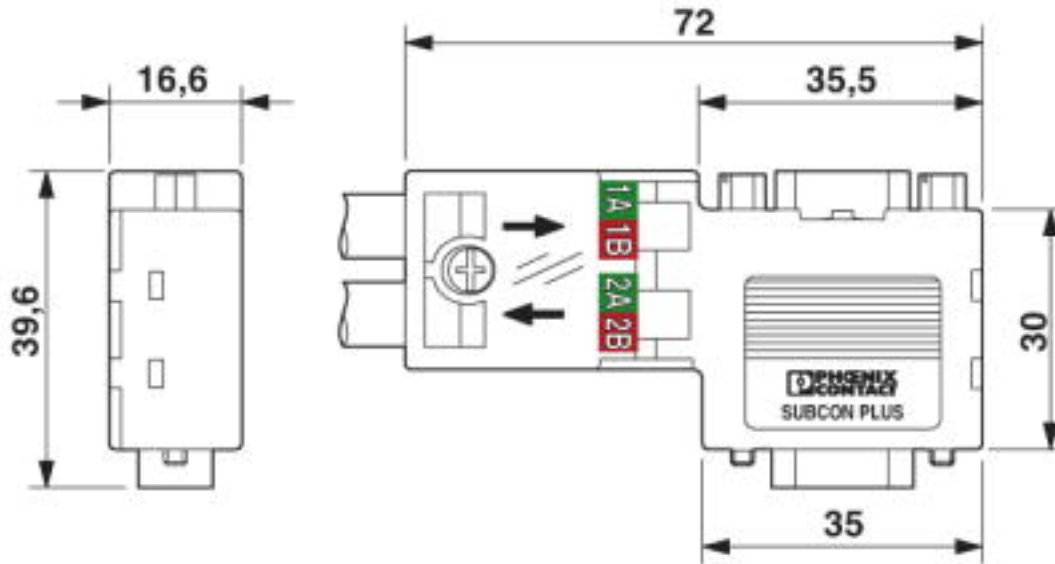
Schematic diagram



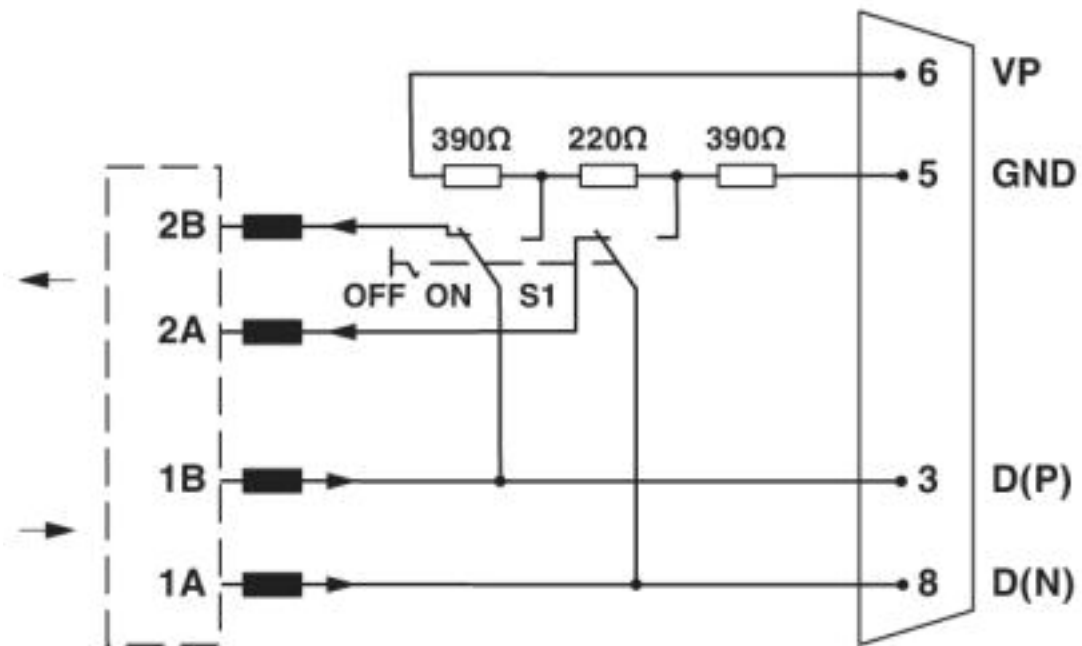
Connecting cables

D-SUB bus connector - SUBCON-PLUS-PROFIB/90/PB/SC - 2313708

Dimensional drawing



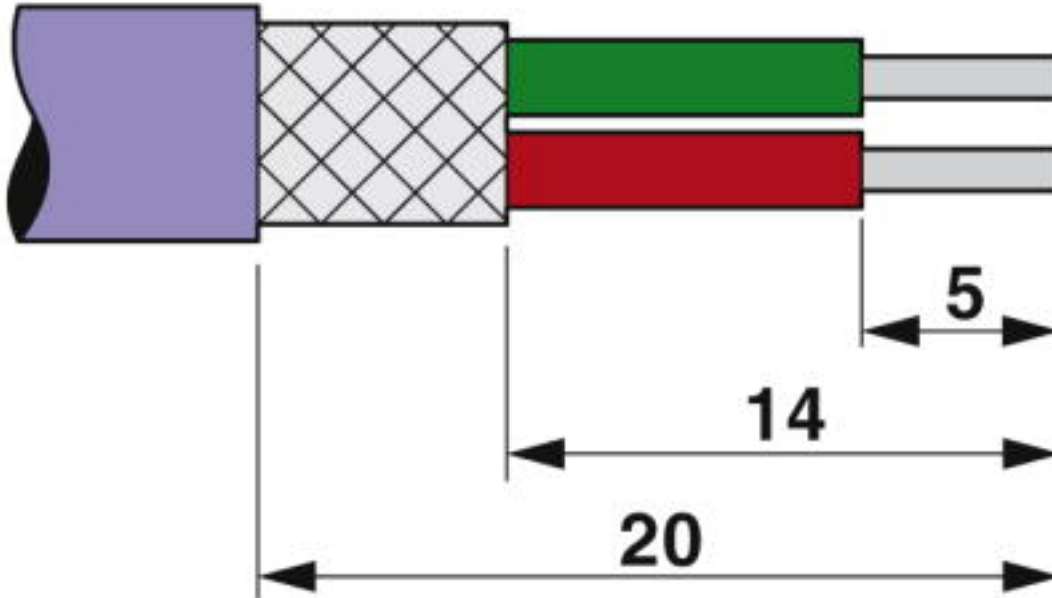
Circuit diagram



Functional diagram of the connector range SUBCON-PLUS-PROFIB/...

D-SUB bus connector - SUBCON-PLUS-PROFIB/90/PG/SC - 2313708

Schematic diagram



Stripping specifications

Classifications

eCl@ss

eCl@ss 10.0.1	27440302
eCl@ss 4.0	27140800
eCl@ss 4.1	27140800
eCl@ss 5.0	27143400
eCl@ss 5.1	27143400
eCl@ss 6.0	27143400
eCl@ss 7.0	27440302
eCl@ss 8.0	27440302
eCl@ss 9.0	27440302

ETIM

ETIM 3.0	EC001132
ETIM 4.0	EC001132
ETIM 5.0	EC001132
ETIM 6.0	EC001132
ETIM 7.0	EC001132

D-SUB bus connector - SUBCON-PLUS-PROFIB/90/PG/SC - 2313708

Classifications

UNSPSC

UNSPSC 6.01	30211802
UNSPSC 7.0901	39121402
UNSPSC 11	39121402
UNSPSC 12.01	39121402
UNSPSC 13.2	39121522
UNSPSC 18.0	39121522
UNSPSC 19.0	39121522
UNSPSC 20.0	39121522
UNSPSC 21.0	39121522

Approvals

Approvals

Approvals

CSA / UL Recognized / cUL Recognized / EAC / cULus Recognized

Ex Approvals


ATEX

Approval details

CSA		http://www.csagroup.org/services-industries/product-listing/	2437602
-----	---	---	---------

UL Recognized		http://database.ul.com/cgi-bin/XYV/template/LISEXT/1FRAME/index.htm	FILE E 238705
---------------	---	---	---------------

cUL Recognized		http://database.ul.com/cgi-bin/XYV/template/LISEXT/1FRAME/index.htm	FILE E 238705
----------------	---	---	---------------

EAC			EAC-Zulassung
-----	---	--	---------------

D-SUB bus connector - SUBCON-PLUS-PROFIB/90/PG/SC - 2313708

Approvals

cULus Recognized



Accessories

Accessories

Data cable by the meter

Bus system cable - PSM-CABLE-PROFIB/FC - 2744652



By the meter, Bus system cable, PROFIBUS (12 Mbps), shielded, PVC FR VI/PVC, Violet, 2-wire (1X2XAWG22/1), color single wire: Red, green, cable length: Free entry (1.0 ... 1000.0 m)

Data plug

D-SUB bus connector - SUBCON-PLUS-PROFIB/90/SC - 2313698



D-SUB connector, 9-pos., male connector, cable entry < 90°, bus system: PROFIBUS DP up to 12 Mbps, termination resistor can be switched on via slide switch, pin assignment: 3, 5, 6, 8; screw connection terminal blocks

D-SUB bus connector - SUBCON-PLUS-PROFIB/PG/SC2 - 2708245



D-SUB connector, 9-pos., male connector, cable entry < 35°, bus system: PROFIBUS DP up to 12 Mbps with PG D-SUB socket for connecting a programming device, termination resistor can be switched on via slide switch, pin assignment: 3, 5, 6, 8; screw connection terminal blocks

D-SUB bus connector - SUBCON-PLUS-PROFIB/AX/SC - 2744380



D-SUB connector, 9-pos., male connector, axial version with two cable entries, bus system: PROFIBUS DP up to 12 Mbps, termination resistor can be switched on via slide switch, pin assignment: 3, 5, 6, 8; screw connection terminal blocks

D-SUB bus connector - SUBCON-PLUS-PROFIB/90/PG/SC - 2313708

Accessories

D-SUB bus connector - SUBCON-PLUS-PROFIB/90/PG/IDC - 2313685



D-SUB connector, 9-pos., male connector, cable entry < 90°, bus system: PROFIBUS DP up to 12 Mbps with PG D-SUB socket for connecting a programming device, termination resistor can be switched on via slide switch, pin assignment: 3, 5, 6, 8; IDC terminal block connection

Screwdriver tools

Screwdriver - SZF 0-0,4X2,5 - 1204504



Actuation tool, for ST terminal blocks, also suitable for use as a bladed screwdriver, size: 0.4 x 2.5 x 75 mm, 2-component grip, with non-slip grip

Screwdriver - SZK PH1 VDE - 1205150



Screwdriver, PH crosshead, VDE insulated, size: PH 1 x 80 mm, 2-component grip, with non-slip grip

Stripping tool

Stripping pliers - QUICK WIREFOX 6 - 1204384



Stripping tool for cables with PVC insulation, stripping range: 0.08 to 6 mm², wire cutting up to 6 mm² flexible or 4 mm² rigid

Terminal resistor

D-SUB bus connector - SUBCON-PLUS-PROFIB/90/PB/SC - 2313708

Accessories

Termination resistor - PSI-TERMINATOR-PB-TBUS - 2702636



Active termination resistor for PROFIBUS and RS-485 bus systems, redundant power supply, routing of the supply voltage via DIN rail connector, electrical isolation, switchable termination, integrated programming interface

Stripping tool - PSM-STRIP-FC/PROFIB - 2744623



Quick stripping tool for PROFIBUS cable, type Fast Connect
