



Our *passion* is enclosures.



# starCASE

Premium enclosures made of ABS-FR V-0

# Technical data

## starCASE



Integrated lid support



Enclosure can be installed after closing



Sealing set



Integrated design covers for screwless appearance



Fixing points for circuit boards, DIN rails, etc.



Access safeguard by means of insert lock



Integrated recess for membrane keypads

**Enclosure:** Thermoplastic ABS-FR, halogen-free. 2° mould slope for casting ejection, internal measures diminishing circulatory towards enclosure bottom by 2°.

**Flammability:** UL 94 V-0 1.5mm

**Integrated recess:** In the lid for membrane keypad or front plates

**Components:** Mounting dome for self-grooving fastener in the lid and bottom.

**Ingress Protection:** IP66 / EN 60529

**Gasket:** Silicone moulded gasket (-40°C to +120°C)

**Lid screws:** Stainless steel 1.4567 (V2A), captive

**Design covers:** Latching, thermoplastic ABS-FR, halogen-free in RAL 7035, light grey.

**Integrated lid support:** Plastic polypropylene (PP)

**Surface:** RAL 7035, light grey

### Optionally available:

**Gasket:** EMC gasket (-55°C to +160°C)

**EMC shielding:** Aluminium (high vacuum) vapor-blast process 2.5µm

**Surface:** Special material on request

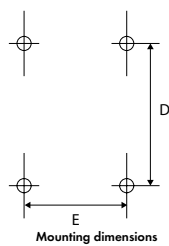
**Further options, see delivery overview.**



Delivery overview starCASE											
Type	Mat. no.	L	W	H	D	E	g	ID	EMC	ST	P
SC 090	230.090.000	120	90	50	99	34	155	<input type="checkbox"/>	<input checked="" type="checkbox"/>	<input checked="" type="checkbox"/>	<input checked="" type="checkbox"/>
SC 092	230.092.000	160	90	50	139	34	191	<input type="checkbox"/>	<input checked="" type="checkbox"/>	<input checked="" type="checkbox"/>	<input checked="" type="checkbox"/>
SC 110	230.110.000	140	110	60	119	54	232	<input type="checkbox"/>	<input checked="" type="checkbox"/>	<input checked="" type="checkbox"/>	<input checked="" type="checkbox"/>
SC 112	230.112.000	200	110	60	179	54	346	<input type="checkbox"/>	<input checked="" type="checkbox"/>	<input checked="" type="checkbox"/>	<input checked="" type="checkbox"/>
SC 130	230.130.000	160	130	60	139	74	277	<input type="checkbox"/>	<input checked="" type="checkbox"/>	<input checked="" type="checkbox"/>	<input checked="" type="checkbox"/>
SC 150	230.150.000	180	150	60	159	94	350	<input type="checkbox"/>	<input checked="" type="checkbox"/>	<input checked="" type="checkbox"/>	<input checked="" type="checkbox"/>
SC 172	230.172.000	280	170	60	259	114	531	<input type="checkbox"/>	<input checked="" type="checkbox"/>	<input checked="" type="checkbox"/>	<input checked="" type="checkbox"/>

Standard    Available    Not available

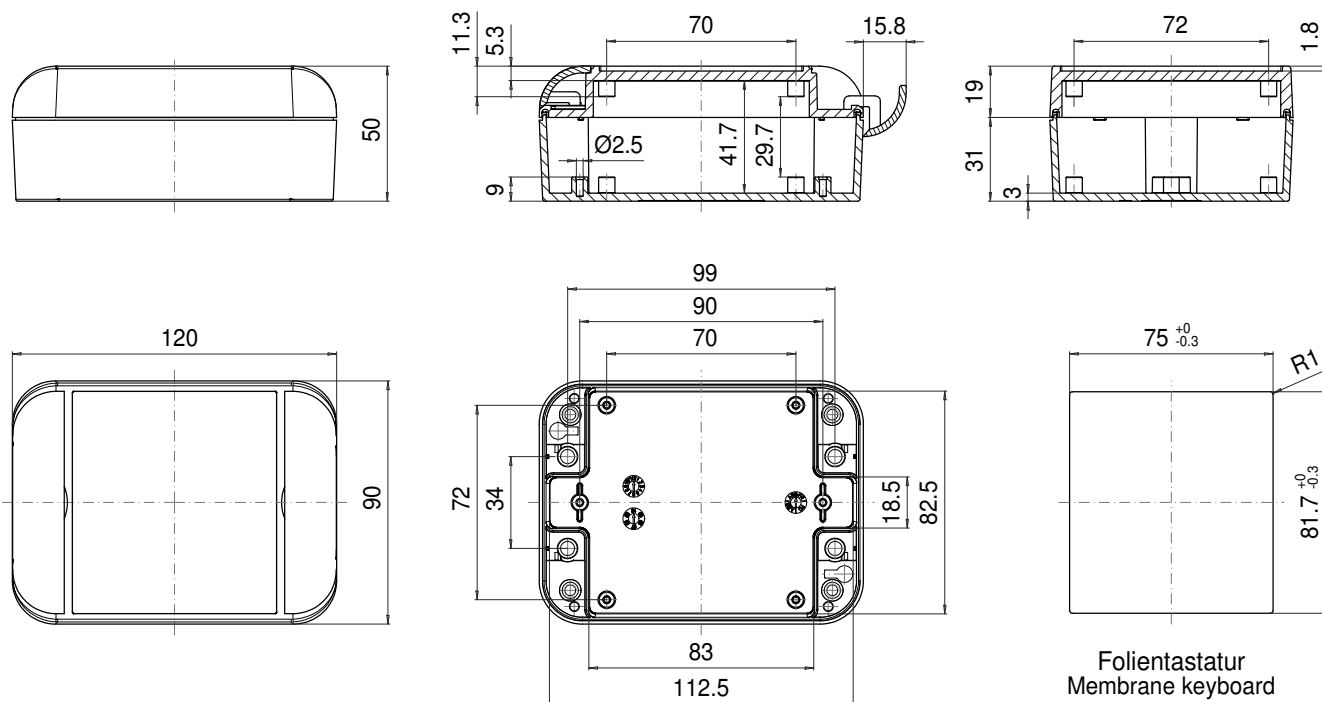
Approvals:



# ROLEC Attachment and mounting dimensions

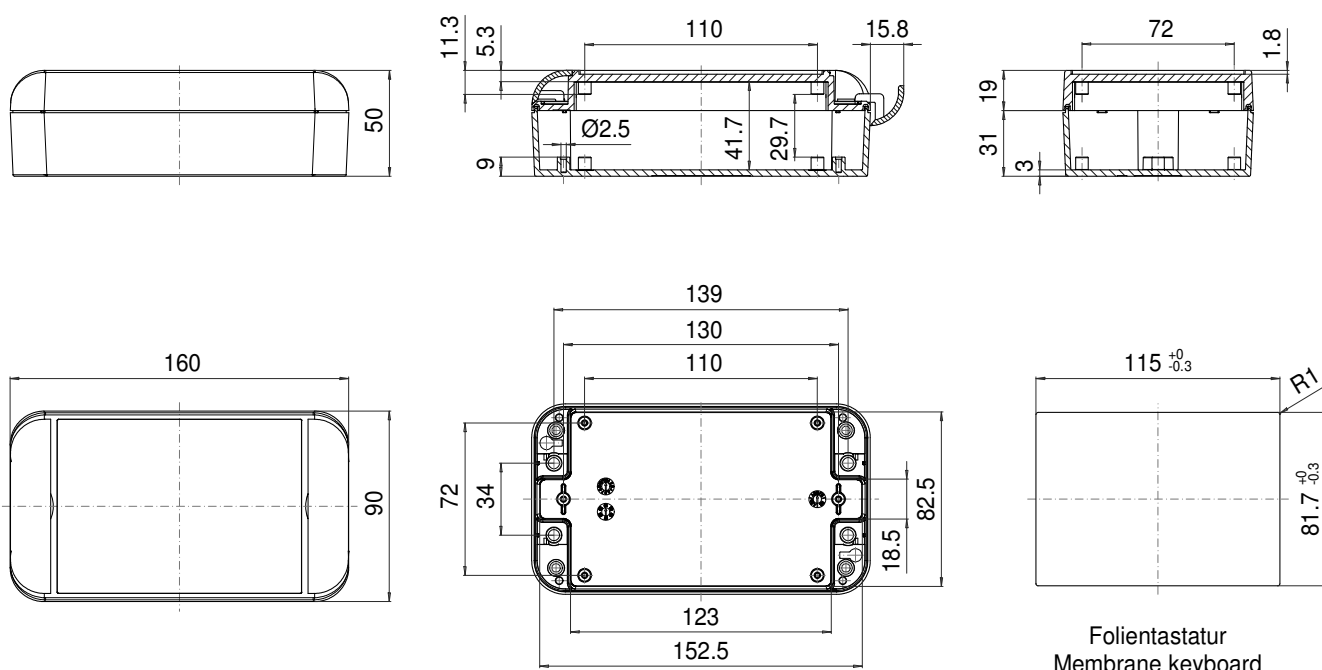
## starCASE

### SC 090



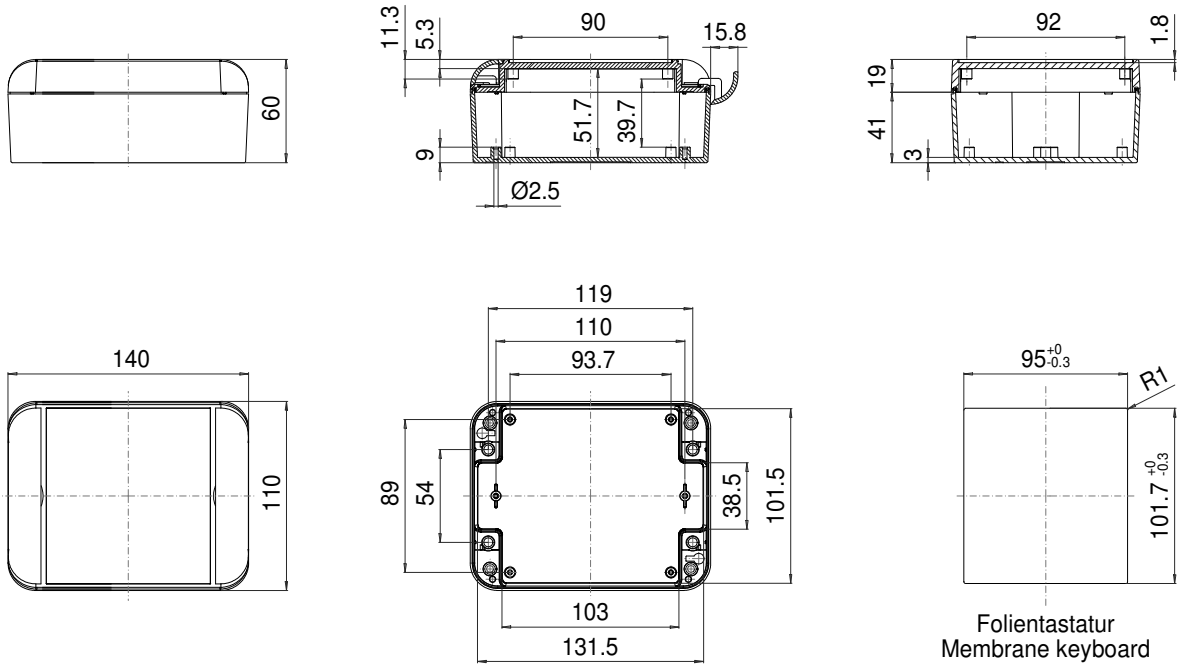
Folientastatur  
Membrane keyboard

### SC 092

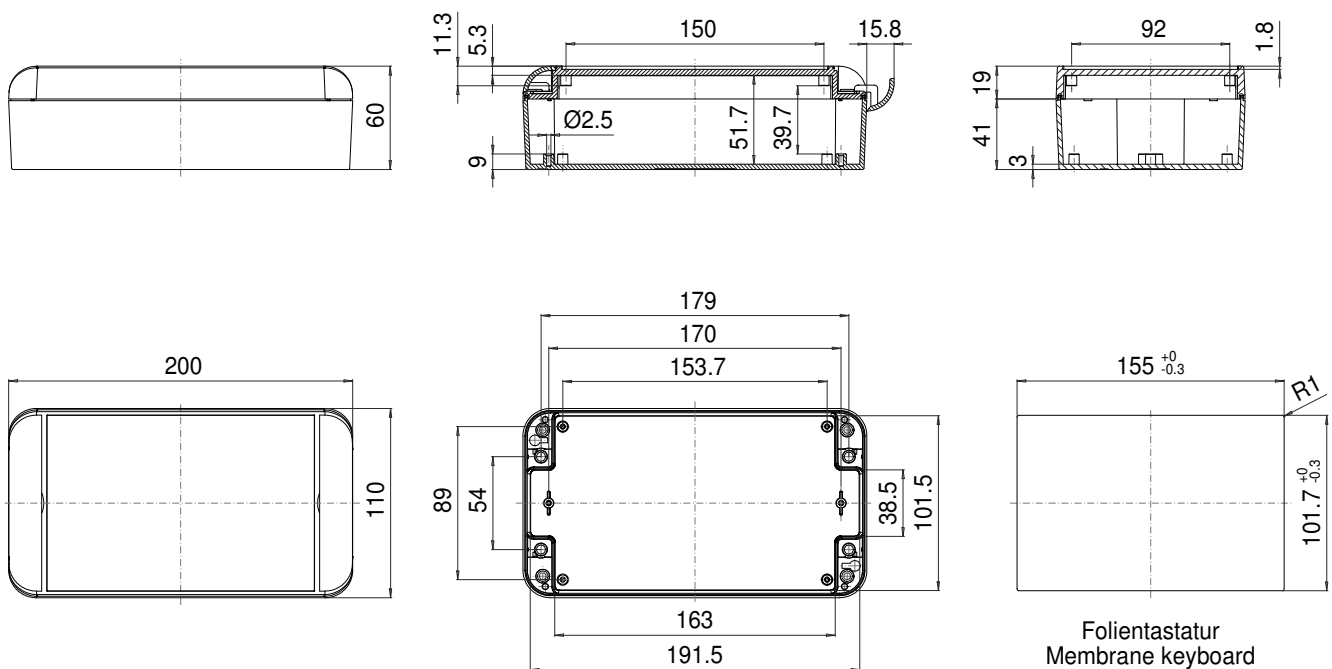


Folientastatur  
Membrane keyboard

### SC 110



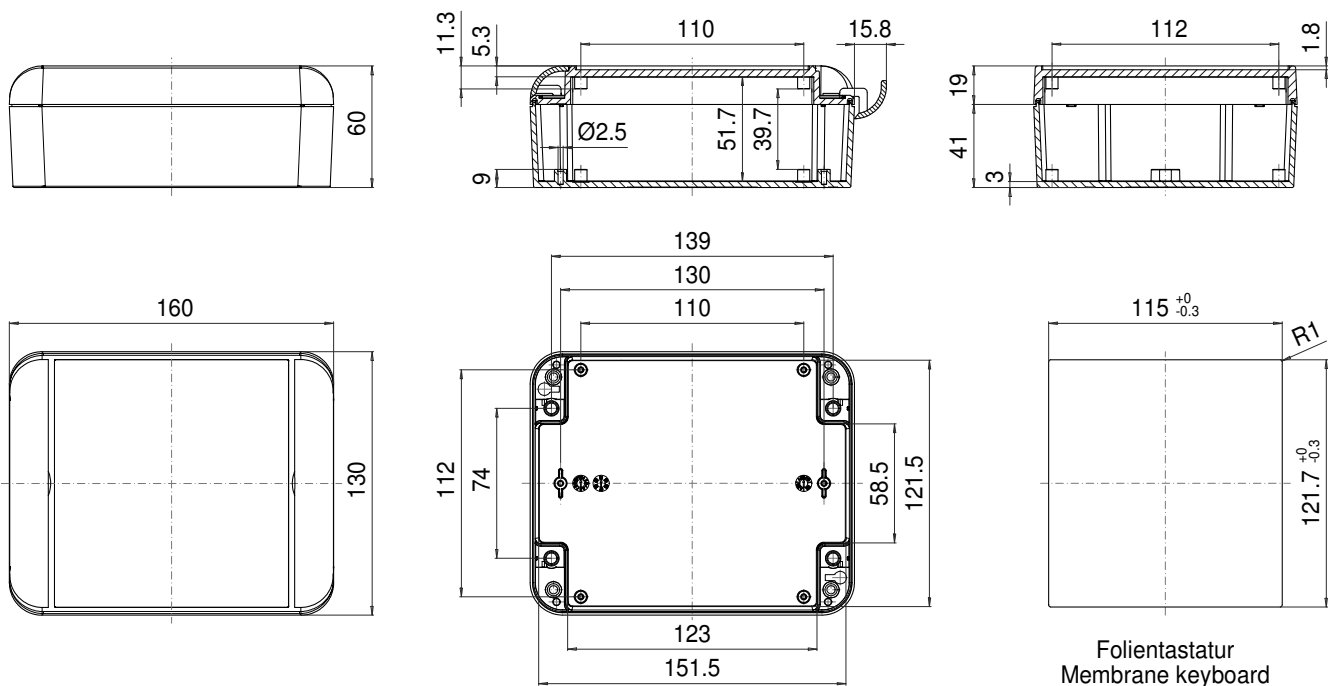
### SC 112



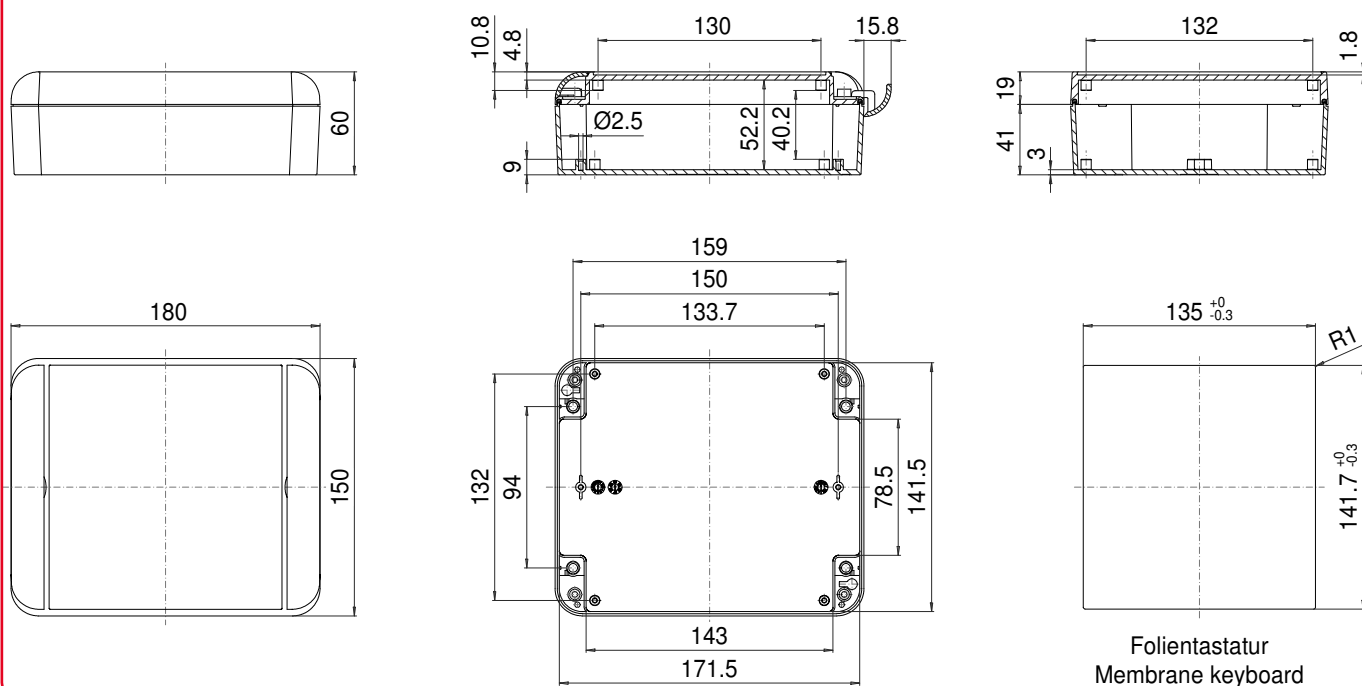
# ROLEC Attachment and mounting dimensions

## starCASE

### SC 130



### SC150



SC 172

