

## Interface module - DFLK-D37 SUB/S - 2280336

Please be informed that the data shown in this PDF Document is generated from our Online Catalog. Please find the complete data in the user's documentation. Our General Terms of Use for Downloads are valid (<http://phoenixcontact.com/download>)



The VARIOFACE feed-through module implements a 1:1 connection between screw connection terminal blocks and a D-SUB miniature pin strip (number of positions: 37). A separate ground tap is available.

### Your advantages

- 9 to 50-pos.
- 50-pos.: no ground tap
- 9 to 37-pos.: separate ground tap
- According to IEC 60807-2
- 1:1 connection
- Screw connection
- D-SUB 4-40 UNC thread

### Key Commercial Data

Packing unit	1 pc
GTIN	 4 017918 054441
GTIN	4017918054441
Weight per Piece (excluding packing)	132.000 g
Custom tariff number	85369010
Country of origin	Germany

### Technical data

#### Dimensions

Width	40 mm
Height	128.5 mm
Depth	33.5 mm

# Interface module - DFLK-D37 SUB/S - 2280336

## Technical data

### Ambient conditions

Ambient temperature (operation)	-20 °C ... 50 °C
Ambient temperature (storage/transport)	-20 °C ... 70 °C
Degree of protection	IP20

### General

Nominal voltage U <sub>N</sub>	25 V AC
	60 V DC
Max. perm. current (per branch)	2.5 A
Max. permissible current (all branches)	50 A
Number of positions	37
Mounting position	any
Assembly instructions	In rows with zero spacing

### Connection data

Connection name	Field level
Connection in acc. with standard	IEC / EN
Connection method	Screw connection
Stripping length	8 mm
Screw thread	M3
Conductor cross section solid	0.2 mm <sup>2</sup> ... 4 mm <sup>2</sup>
Conductor cross section flexible	0.2 mm <sup>2</sup> ... 2.5 mm <sup>2</sup>
Conductor cross section AWG	24 ... 12

### Connection data 2

Connection name	Controller level
Connection method	D-SUB pin strip
Number of positions	37

### Standards and Regulations

Connection in acc. with standard	CUL
Standards/regulations	IEC 60664
	DIN EN 50178
Rated insulation voltage	125 V
Rated surge voltage	1.2 kV (Functional insulation)
Pollution degree	2
Overvoltage category	II

### Environmental Product Compliance

REACH SVHC	Lead 7439-92-1
China RoHS	Environmentally Friendly Use Period = 50

# Interface module - DFLK-D37 SUB/S - 2280336

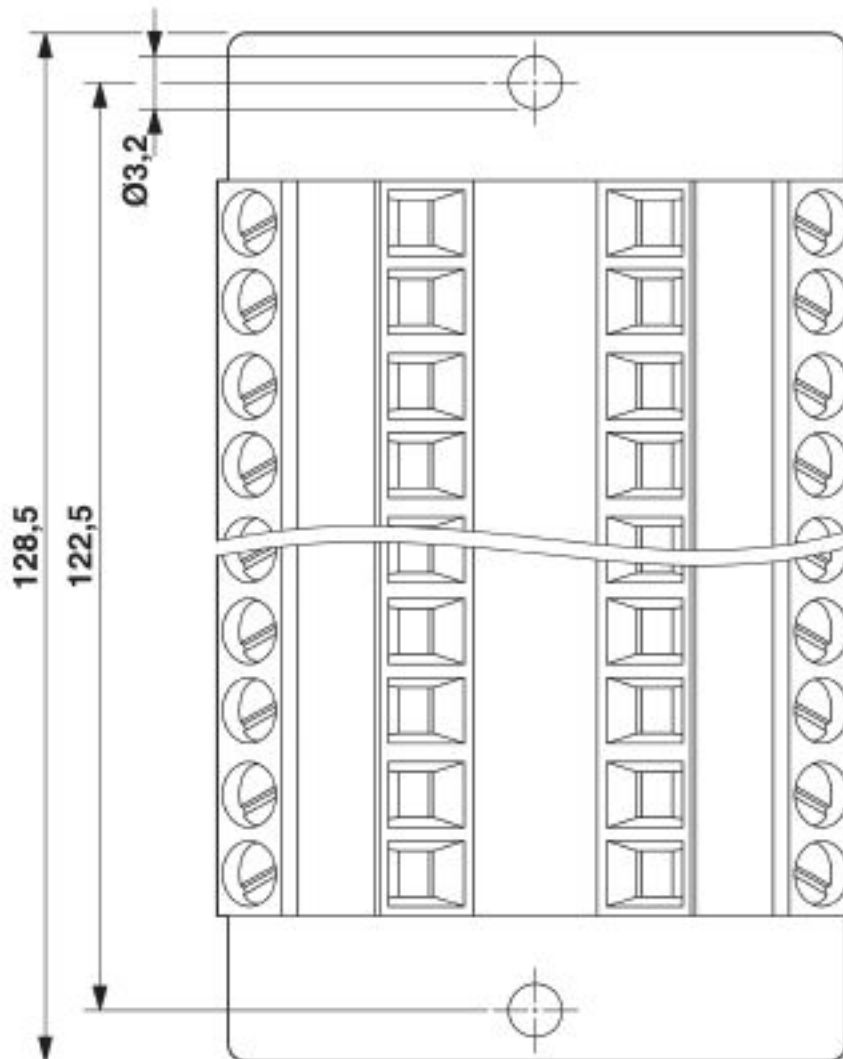
Technical data

Environmental Product Compliance

For details about hazardous substances go to tab "Downloads", Category "Manufacturer's declaration"

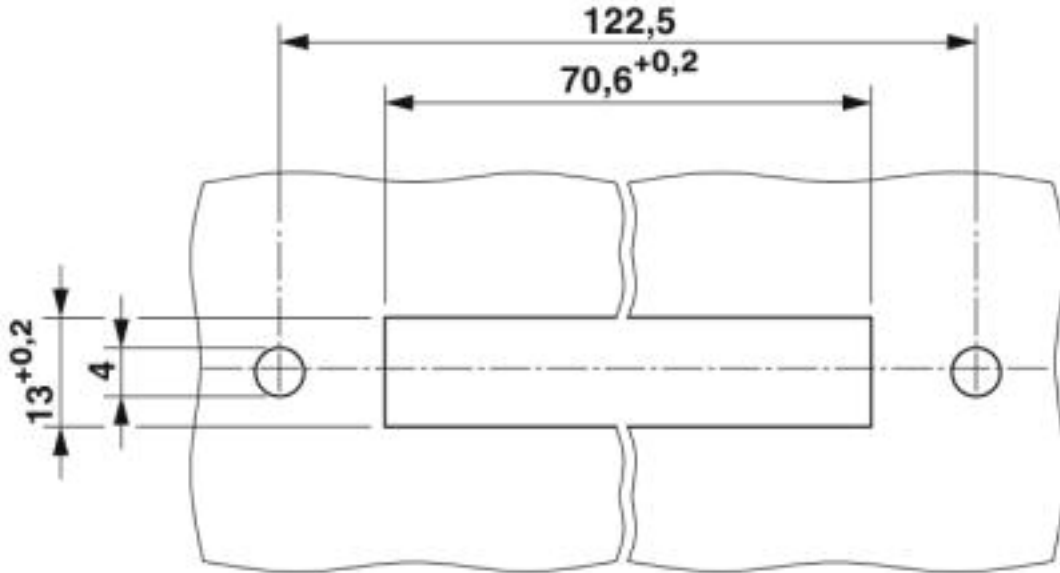
Drawings

Dimensional drawing



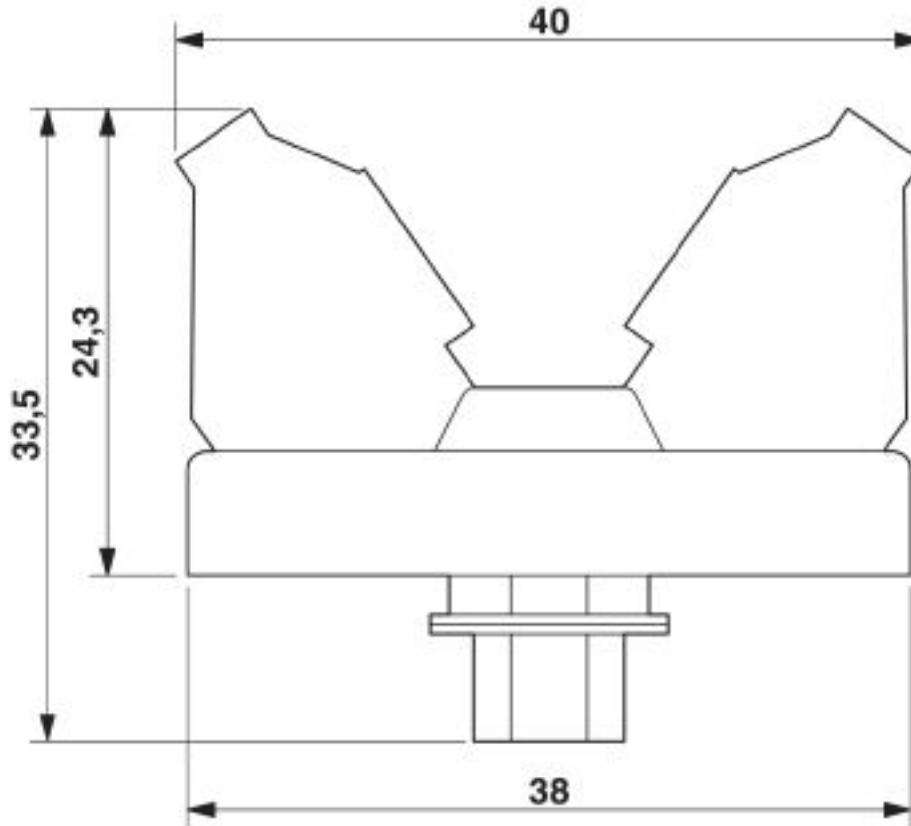
# Interface module - DFLK-D37 SUB/S - 2280336

Dimensional drawing



## Interface module - DFLK-D37 SUB/S - 2280336

Dimensional drawing



### Classifications

#### eCl@ss

eCl@ss 4.0	27250300
eCl@ss 4.1	27250300
eCl@ss 5.0	27250300
eCl@ss 5.1	27250300
eCl@ss 6.0	27242600
eCl@ss 7.0	27141152
eCl@ss 8.0	27141152
eCl@ss 9.0	27141152

#### ETIM

ETIM 4.0	EC002780
ETIM 5.0	EC002780
ETIM 6.0	EC002780

# Interface module - DFLK-D37 SUB/S - 2280336

## Classifications

### ETIM

ETIM 7.0	EC002780
----------	----------

### UNSPSC

UNSPSC 6.01	30211824
UNSPSC 7.0901	39121421
UNSPSC 11	39121421
UNSPSC 12.01	39121421
UNSPSC 13.2	39121432

## Approvals


### Approvals


#### Approvals

UL Recognized / cUL Recognized / EAC / cULus Recognized

#### Ex Approvals

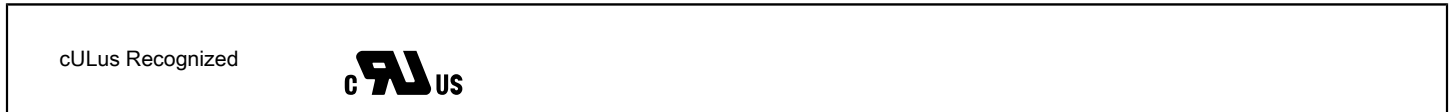
### Approval details

UL Recognized		<a href="http://database.ul.com/cgi-bin/XYV/template/LISEXT/1FRAME/index.htm">http://database.ul.com/cgi-bin/XYV/template/LISEXT/1FRAME/index.htm</a>	FILE E 60425
Nominal voltage UN		125 V	
Nominal current IN		2.5 A	
mm <sup>2</sup> /AWG/kcmil		30-12	

cUL Recognized		<a href="http://database.ul.com/cgi-bin/XYV/template/LISEXT/1FRAME/index.htm">http://database.ul.com/cgi-bin/XYV/template/LISEXT/1FRAME/index.htm</a>	FILE E 60425
Nominal voltage UN		125 V	
Nominal current IN		2.5 A	
mm <sup>2</sup> /AWG/kcmil		30-12	

## Interface module - DFLK-D37 SUB/S - 2280336

### Approvals



### Accessories

#### Accessories

#### System cable

Cable - CABLE-D37SUB/B/S/ 50/KONFEK/S - 2302191



Assembled shielded round cable; connection 1: D-SUB socket strip (1x 37-position); connection 2: D-SUB pin strip (1x 37-position); cable length: 0.5 m

Cable - CABLE-D37SUB/B/S/100/KONFEK/S - 2302201



Assembled shielded round cable; connection 1: D-SUB socket strip (1x 37-position); connection 2: D-SUB pin strip (1x 37-position); cable length: 1 m

Cable - CABLE-D37SUB/B/S/150/KONFEK/S - 2302214



Assembled shielded round cable; connection 1: D-SUB socket strip (1x 37-position); connection 2: D-SUB pin strip (1x 37-position); cable length: 1.5 m

## Interface module - DFLK-D37 SUB/S - 2280336

### Accessories

Cable - CABLE-D37SUB/B/S/200/KONFEK/S - 2302227



Assembled shielded round cable; connection 1: D-SUB socket strip (1x 37-position); connection 2: D-SUB pin strip (1x 37-position); cable length: 2 m

---

Cable - CABLE-D37SUB/B/S/300/KONFEK/S - 2302230



Assembled shielded round cable; connection 1: D-SUB socket strip (1x 37-position); connection 2: D-SUB pin strip (1x 37-position); cable length: 3 m

---

Cable - CABLE-D37SUB/B/S/400/KONFEK/S - 2302243



Assembled shielded round cable; connection 1: D-SUB socket strip (1x 37-position); connection 2: D-SUB pin strip (1x 37-position); cable length: 4 m

---

Cable - CABLE-D37SUB/B/S/600/KONFEK/S - 2302256



Assembled shielded round cable; connection 1: D-SUB socket strip (1x 37-position); connection 2: D-SUB pin strip (1x 37-position); cable length: 6 m

---

Cable - CABLE D-SUB-S/.../.../... - 2302340



Shielded round cable, assembled with one D-SUB male and one female connector, variable cable length

---



## Interface module - DFLK-D37 SUB/S - 2280336

### Accessories

Cable - CABLE D-SUB-B-B-S/.../.../... - 2302421



Shielded round cable, assembled with two D-SUB female connectors, variable cable length

---

Cable - CABLE-D-37SUB/F/OE/0,25/S/0,5M - 2926221



Assembled shielded round cable; connection 1: Single wires (37-position) (The wires are marked and fitted with ferrules. The braided shield is routed to a separate cable end.); connection 2: D-SUB socket strip (1x 37-position); cable length: 0.5 m

---

Cable - CABLE-D-37SUB/F/OE/0,25/S/1,0M - 2926234



Assembled shielded round cable; connection 1: Single wires (37-position) (The wires are marked and fitted with ferrules. The braided shield is routed to a separate cable end.); connection 2: D-SUB socket strip (1x 37-position); cable length: 1 m

---

Cable - CABLE-D-37SUB/F/OE/0,25/S/1,5M - 2926247



Assembled shielded round cable; connection 1: Single wires (37-position) (The wires are marked and fitted with ferrules. The braided shield is routed to a separate cable end.); connection 2: D-SUB socket strip (1x 37-position); cable length: 1.5 m

---

Cable - CABLE-D-37SUB/F/OE/0,25/S/2,0M - 2926250



Assembled shielded round cable; connection 1: Single wires (37-position) (The wires are marked and fitted with ferrules. The braided shield is routed to a separate cable end.); connection 2: D-SUB socket strip (1x 37-position); cable length: 2 m

---

## Interface module - DFLK-D37 SUB/S - 2280336

### Accessories

Cable - CABLE-D-37SUB/F/OE/0,25/S/3,0M - 2926263



Assembled shielded round cable; connection 1: Single wires (37-position) (The wires are marked and fitted with ferrules. The braided shield is routed to a separate cable end.); connection 2: D-SUB socket strip (1x 37-position); cable length: 3 m

---

Cable - CABLE-D-37SUB/F/OE/0,25/S/4,0M - 2926276



Assembled shielded round cable; connection 1: Single wires (37-position) (The wires are marked and fitted with ferrules. The braided shield is routed to a separate cable end.); connection 2: D-SUB socket strip (1x 37-position); cable length: 4 m

---

Cable - CABLE-D-37SUB/F/OE/0,25/S/6,0M - 2926289



Assembled shielded round cable; connection 1: Single wires (37-position) (The wires are marked and fitted with ferrules. The braided shield is routed to a separate cable end.); connection 2: D-SUB socket strip (1x 37-position); cable length: 6 m

---

Cable - CABLE-D-37SUB-F-OE-0,25-S/... - 2900907



Assembled shielded round cable; connection 1: Single wires (37-position) (The wires are marked and fitted with ferrules. The braided shield is routed to a separate cable end.); connection 2: D-SUB socket strip (1x 37-position); cable length: variable

---