

Interface module - DFLK-D25 SUB/S - 2280310

Please be informed that the data shown in this PDF Document is generated from our Online Catalog. Please find the complete data in the user's documentation. Our General Terms of Use for Downloads are valid (<http://phoenixcontact.com/download>)




The VARIOFACE feed-through module implements a 1:1 connection between screw connection terminal blocks and a D-SUB miniature pin strip (number of positions: 25). A separate ground tap is available.

Product Features

- 9 to 50-pos.
- 9 to 37-pos.: separate ground tap
- 50-pos.: no ground tap
- According to IEC 60807-2
- 1:1 connection
- D-SUB 4-40 UNC thread
- Screw connection



Key Commercial Data

| | |
|--------------------------------------|---|
| Packing unit | 1 pc |
| GTIN |  4 017918 054427 |
| Weight per Piece (excluding packing) | 87.24 g |
| Custom tariff number | 85369010 |
| Country of origin | Germany |

Technical data

Dimensions

| | |
|--------|---------|
| Width | 39 mm |
| Height | 83.4 mm |
| Depth | 33 mm |

Ambient conditions

Interface module - DFLK-D25 SUB/S - 2280310

Technical data

Ambient conditions

| | |
|---|------------------|
| Ambient temperature (operation) | -20 °C ... 50 °C |
| Ambient temperature (storage/transport) | -20 °C ... 70 °C |

General

| | |
|---|--------------------------------|
| Max. perm. operating voltage | 125 V AC/DC |
| Max. perm. current (per branch) | 2.5 A |
| Max. permissible current (all branches) | 50 A |
| Number of positions | 25 |
| Mounting position | any |
| Assembly instructions | In rows with zero spacing |
| Degree of protection | IP20 |
| Standards/regulations | IEC 60664 |
| | DIN EN 50178 |
| | IEC 62103 |
| Rated insulation voltage | 125 V |
| Rated surge voltage | 1.2 kV (Functional insulation) |
| Degree of pollution | 2 |
| Overvoltage category | II |

Connection data for connection 1

| | |
|----------------------------------|---|
| Connection name | Field level |
| Connection in acc. with standard | IEC / EN |
| Connection method | Screw connection |
| Stripping length | 8 mm |
| Screw thread | M3 |
| Conductor cross section solid | 0.2 mm ² ... 4 mm ² |
| Conductor cross section flexible | 0.2 mm ² ... 2.5 mm ² |
| Conductor cross section AWG | 24 ... 12 |

Connection data for connection 2

| | |
|---------------------|------------------|
| Connection name | Controller level |
| Connection method | D-SUB pin strip |
| Number of positions | 25 |

Standards and Regulations

| | |
|----------------------------------|--------------|
| Connection in acc. with standard | CUL |
| Standards/regulations | IEC 60664 |
| | DIN EN 50178 |
| | IEC 62103 |

Interface module - DFLK-D25 SUB/S - 2280310

Technical data

Standards and Regulations

| | |
|----------------------|----|
| Degree of pollution | 2 |
| Overvoltage category | II |

Classifications

eCl@ss

| | |
|------------|----------|
| eCl@ss 4.0 | 27250313 |
| eCl@ss 4.1 | 27250313 |
| eCl@ss 5.0 | 27250313 |
| eCl@ss 5.1 | 27250313 |
| eCl@ss 6.0 | 27242608 |
| eCl@ss 7.0 | 27141152 |
| eCl@ss 8.0 | 27141152 |
| eCl@ss 9.0 | 27141152 |

ETIM

| | |
|----------|----------|
| ETIM 2.0 | EC001434 |
| ETIM 3.0 | EC001604 |
| ETIM 4.0 | EC001604 |
| ETIM 5.0 | EC002780 |

UNSPSC

| | |
|---------------|----------|
| UNSPSC 6.01 | 30211824 |
| UNSPSC 7.0901 | 39121421 |
| UNSPSC 11 | 39121421 |
| UNSPSC 12.01 | 39121421 |
| UNSPSC 13.2 | 39121421 |

Approvals

Approvals

Approvals

UL Recognized / cUL Recognized / EAC / cULus Recognized


Ex Approvals


Interface module - DFLK-D25 SUB/S - 2280310

Approvals


Approvals submitted

Approval details

| | |
|---|-------|
| UL Recognized  | |
| mm ² /AWG/kcmil | 30-12 |
| Nominal current I _N | 2.5 A |
| Nominal voltage U _N | 125 V |

| | |
|--|-------|
| cUL Recognized  | |
| mm ² /AWG/kcmil | 30-12 |
| Nominal current I _N | 2.5 A |
| Nominal voltage U _N | 125 V |

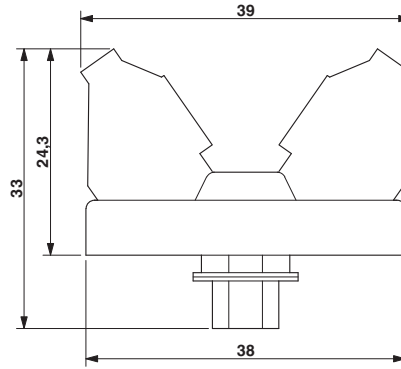
| |
|-----|
| EAC |
|-----|

| |
|--|
| cULus Recognized  |
|--|

Drawings

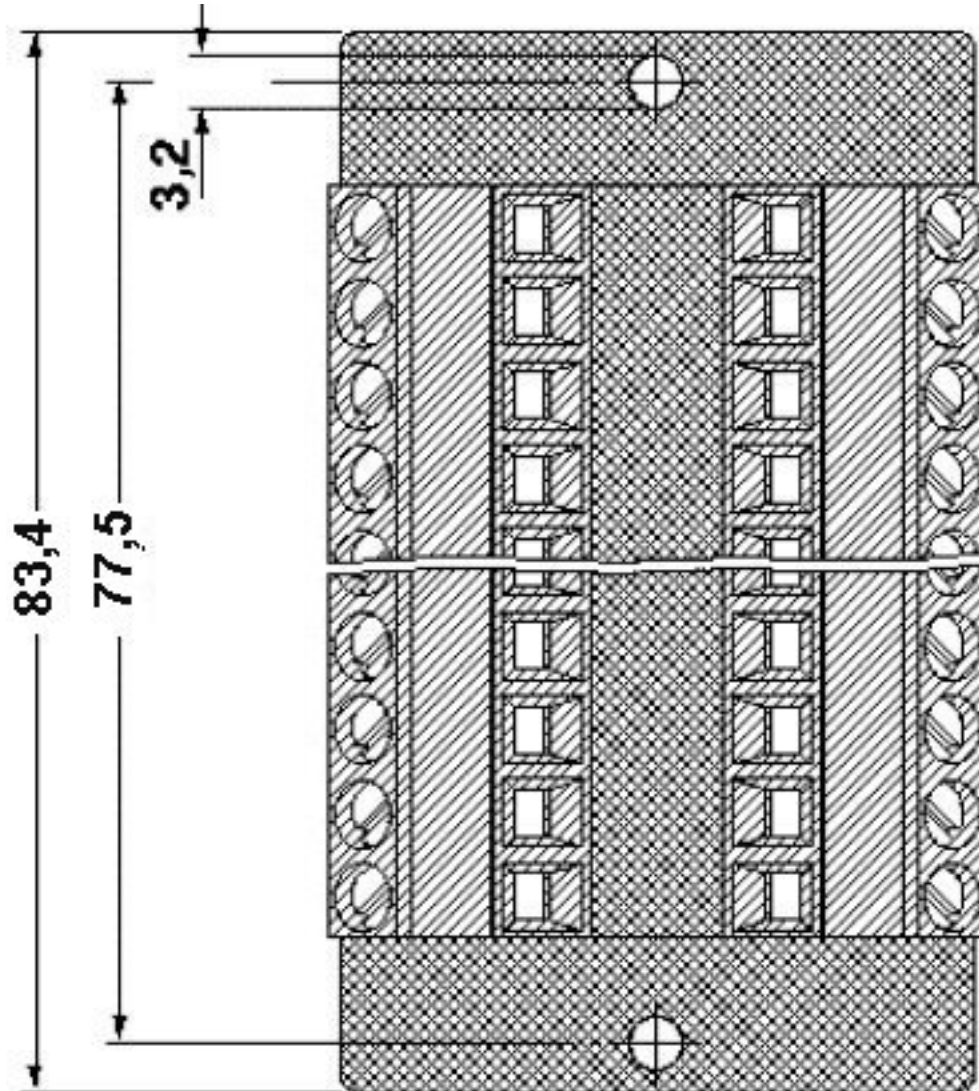
Interface module - DFLK-D25 SUB/S - 2280310

Dimensional drawing



Interface module - DFLK-D25 SUB/S - 2280310

Dimensional drawing



Interface module - DFLK-D25 SUB/S - 2280310

