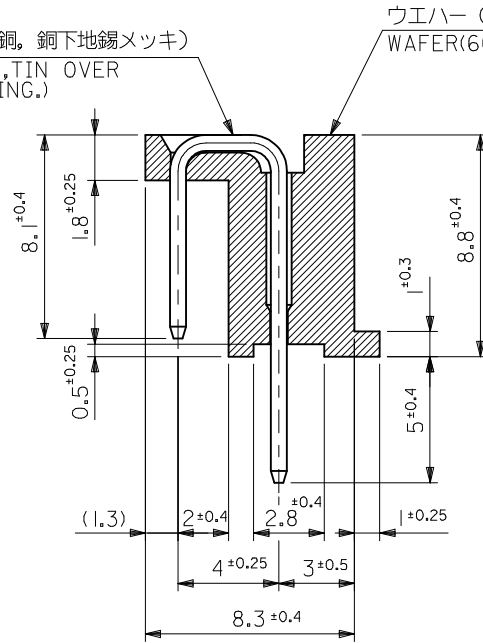
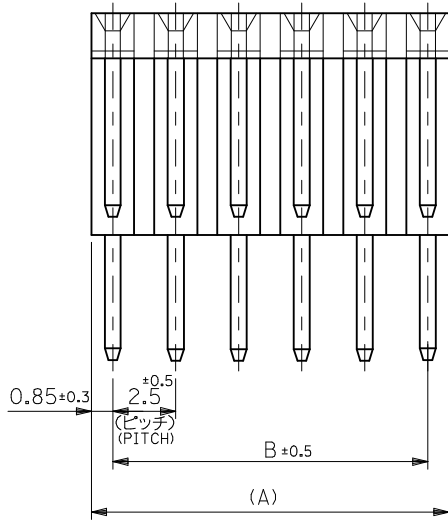


基板取付穴推奨寸法
RECOMMENDED P.C. BOARD HOLE DIM.

ピン (φ0.635, 黄銅, 銅下地錫メッキ)
PIN (φ0.635 BRASS, TIN OVER COPPER PLATING.)

ウエハー (66ナイロン, UL94V-2)
WAFER (66NYLON, UL94V-2)



29.2	27.5	22-21-1121	5089-12A	12
14.2	12.5	22-21-1061	5089-06A	6
(A)	B	EDP NO.	MATERIAL NO.	CKT. 極数
			MODEL NO.	5089-NA

REVISED EC NO.: J2009-0232 DRWN: MAKURAA 2008/08/01 CHKD: T. HARUYAMA 2008/08/01 APPR: NUKITA 2008/12/08	DESCRIPTION	GENERAL TOLERANCES (UNLESS SPECIFIED)		DIMENSION STYLE	SCALE	DESIGN UNITS	THIRD ANGLE PROJECTION		
		10 UNDER	± 0.2	MM ONLY	5:1	METRIC	◎ □		
		10 OVER 30 UNDER	± 0.25	DRAWN BY	DATE	TITLE			
		30 OVER	± 0.3	K. KOHAMA	'00/04/14	KK2.5 WAFER ASSY			
REV	DESCRIPTION	ANGULAR ± 3 °		CHECKED BY	DATE	MATERIAL NO.			
		DRAFT WHERE APPLICABLE MUST REMAIN WITHIN DIMENSIONS		M. FUKUSHIMA	'00/04/14	SEE TABLE			
				APPROVED BY	DATE	DOCUMENT NO.		SHEET NO.	
				M. FUKUSHIMA	'00/04/14	SD-5089-001		1 OF 1	
				THIS DRAWING CONTAINS INFORMATION THAT IS PROPRIETARY TO MOLEX INCORPORATED AND SHOULD NOT BE USED WITHOUT WRITTEN PERMISSION					