

MICRO SWITCH
 FREEPORT ILLINOIS U.S.A.
 A DIVISION OF HONEYWELL
 FED. MFG. CODE 91929

SWITCH-ENCLOSED

CATALOG LISTING
221EN5-R

221EN5-R

M

DRAWING NUMBER

ISSUE

4

RELEASE NO. PR-2439 REPLACES X46737-EN

REVISIONS

A	C044351
C E B	4 FEB 80

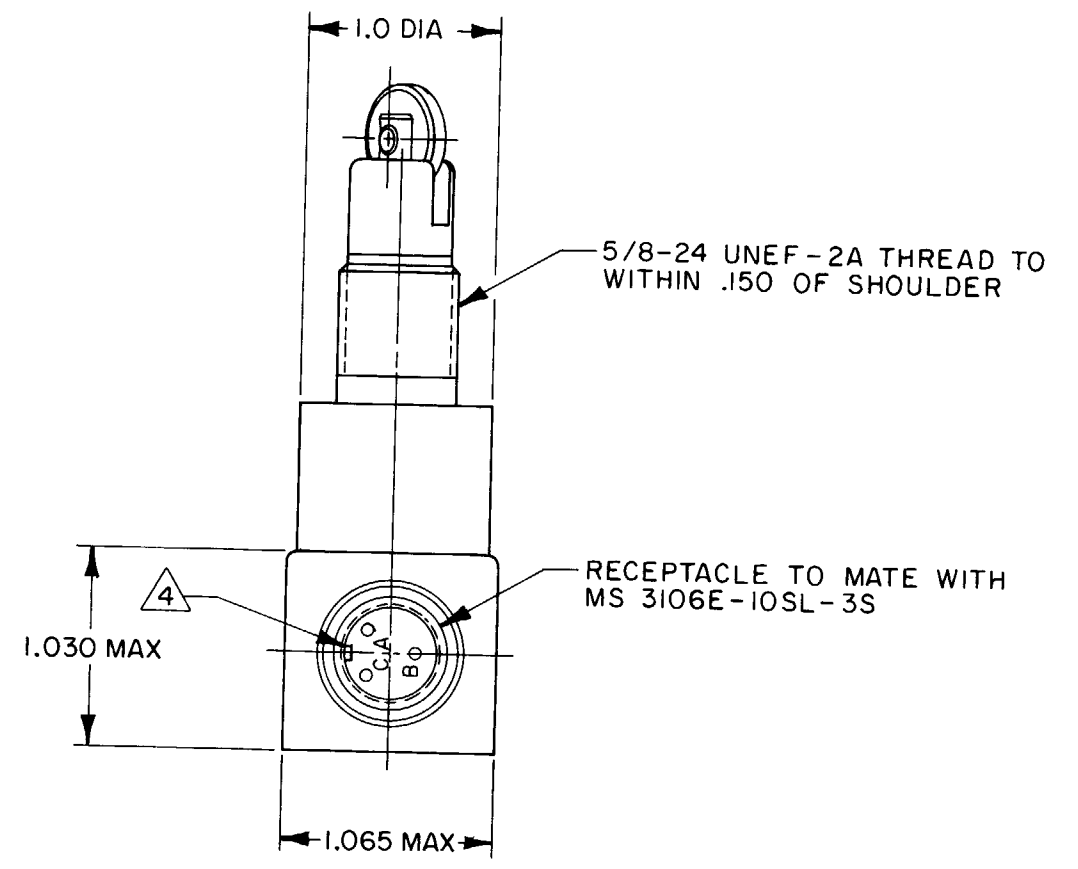
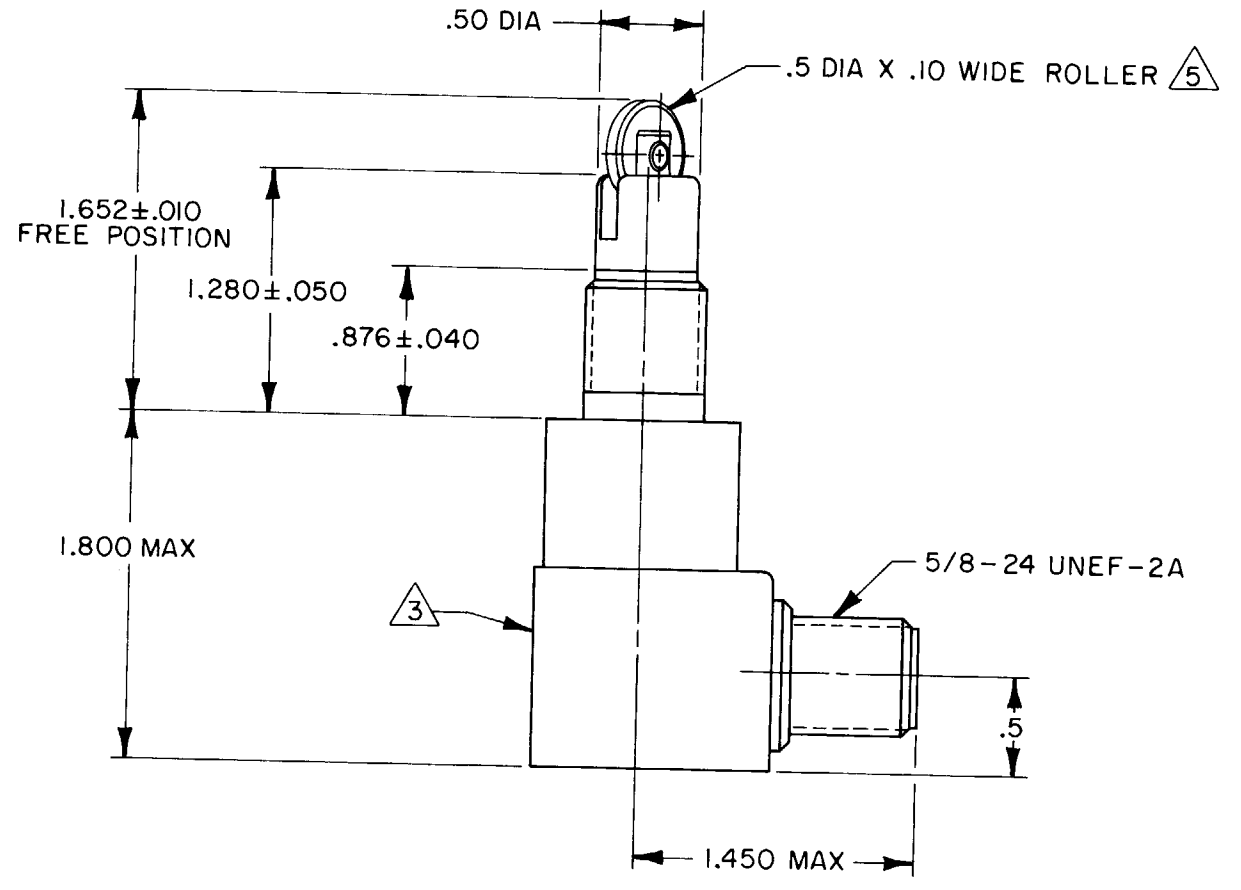
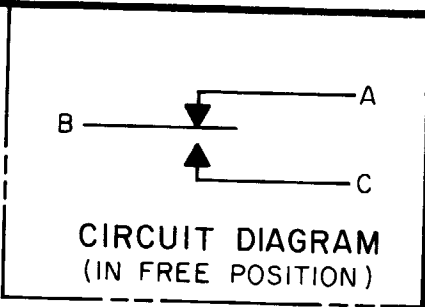
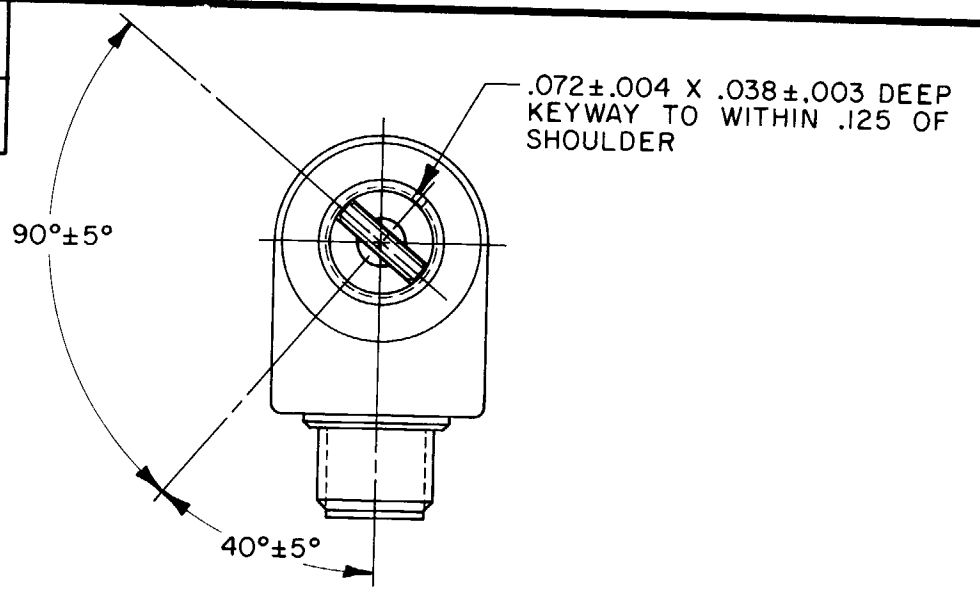
CHECK

6 FEB 80

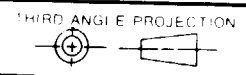
C E B

CHECK

4 FEB 80
 DRAWN
 C E B



THIS DRAWING COVERS A PROPRIETARY ITEM AND IS THE PROPERTY OF MICRO SWITCH, A DIVISION OF HONEYWELL. THIS DRAWING IS NOT TO BE COPIED OR USED WITHOUT THE APPROVAL OF MICRO SWITCH.



SCALE FULL

DO NOT SCALE PRINT

CHARACTERISTICS

OPERATING FORCE	6-10 LB
FULL OVERTRAVEL FORCE	30 LB MAX
RELEASE FORCE	4 LB MIN
PRETRAVEL	.040 MAX
DIFFERENTIAL TRAVEL	.020 MAX
OVERTRAVEL	.250 MIN

ELECTRICAL DATA

CONTACT ARRANGEMENT SEE CIRCUIT DIAGRAM		
LOAD	28 VDC	
	SEA LEVEL	50,000 FT.
RES	4	4
IND	2	2
MOTOR	4	
LAMP		

TOLERANCES

APPLY TO DESIGN UNITS. CONVERSIONS ARE ONLY FOR REFERENCE. UNLESS NOTED, TOLERANCES ARE ±			
DIM.	TOL.	DIM.	TOL.
mm	mm/in	in	mm/in
NO PLACES	X	1/64	
ONE PLACE	X,X	0.01/016	X X 0.01/03
TWO PLACES	X,XX	0.001/006	X XX 0.001/015
THREE PLACES	X,XXX	0.0001/006	X XXX 0.0001/005
ANGLES			

DESIGN UNITS SI METRIC US CUSTOMARY

RAW MATERIAL - COMMERCIAL STANDARD
 MICRO SWITCH STANDARDS APPLY

DIMENSIONS ARE TO BE MET BEFORE
 PROTECTIVE COATINGS ARE APPLIED

WEIGHT 7 OZ MAX

NOTES

- 1 - ALL EXPOSED PARTS ARE CORROSION RESISTANT
- 2 - SWITCH SEALED PER MIL-S-8805 SYMBOL 4
- 3 - CATALOG LISTING, CIRCUIT DIAGRAM AND MICRO IDENTIFICATION PERMANENTLY MARKED ON SIDE OF SWITCH
- 4 - RECEPTACLE POLARIZING KEY POSITION
- 5 - ROLLER WILL ROTATE FREELY
- 6 - PLUNGER SEAL MATERIAL - E.P. RUBBER
- 7 - NOTED ELECTRICAL RATING APPLY AS SPECIFIED IN MIL-S-8805/40-1 UP TO 185°F