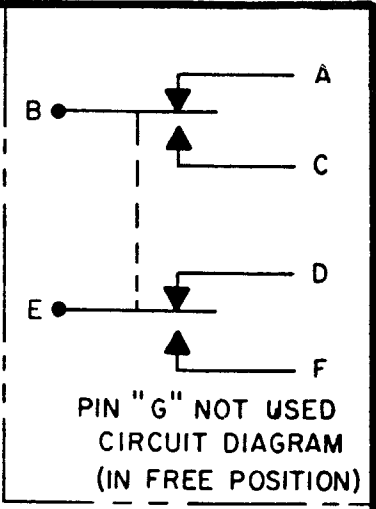


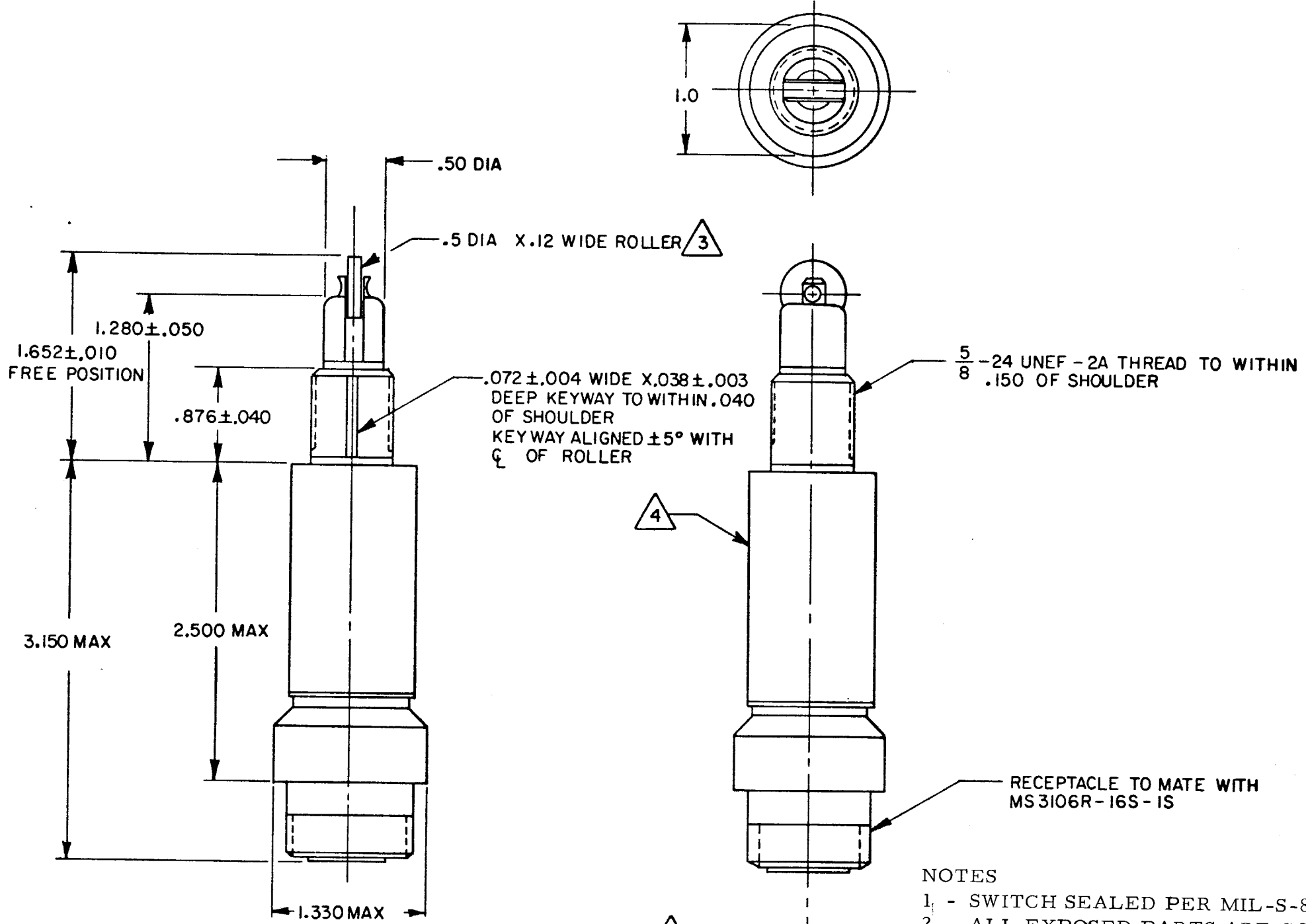
MICRO SWITCH
 FREEPORT, LONG ISLAND, U.S.A.
 A DIVISION OF HONEYWELL
 FED. MFG. CODE 91929

SWITCH — ENCLOSED

CATALOG LISTING
221CH54-RB
 DOUGLAS SPECIFICATION
 PART NO. 7958527 511



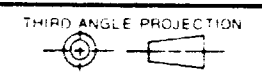
221CH54-RB
 M
 DRAWING NUMBER
 ISSUE 6
 REVISIONS
 A CO 44351
 S L B 3 JAN 79
 B C048146
 W J M 14 AUG 80
 C 0048499
 K A G 3 OCT 80
 CHECK
 C E B 2 FEB 79
 C E B 3 JAN 79
 S L B 3 JAN 79
 FO:22851-A
 DRAWN



RECEPTACLE TO MATE WITH
 MS3106R-16S-1S

- NOTES
- 1 - SWITCH SEALED PER MIL-S-8805 SYMBOL 3
 - 2 - ALL EXPOSED PARTS ARE CORROSION RESISTANT
 - 3 - ROLLER WILL ROTATE FREELY
 - 4 - CATALOG LISTING, CIRCUIT DIAGRAM AND MICRO IDENTIFICATION PERMANENTLY MARKED ON SIDE OF SWITCH IN ACCORDANCE WITH DACO SPEC 7958527
 - 5 - KEYWAY IN BUSHING AND POLARIZING KEY OF RECEPTACLE ARE ALIGNED
 - 6 - COINCIDENCE OF OPERATING AND RELEASING POINTS: .010 OF PLUNGER TRAVEL
 - 7 - PLUNGER SEAL MATERIAL - E. P. RUBBER

THIS DRAWING COVERS A PROPRIETARY ITEM AND IS THE PROPERTY OF MICRO SWITCH, A DIVISION OF HONEYWELL. THIS DRAWING IS NOT TO BE COPIED OR USED WITHOUT THE APPROVAL OF MICRO SWITCH.



SCALE FULL	
DO NOT SCALE PRINT	
TOLERANCES	
APPLY TO DESIGN UNITS. CONVERSIONS ARE ONLY FOR REFERENCE. UNLESS NOTED, TOLERANCES ARE:	
DIM.	TOL.
mm	mm/100
in	in
NO. PLACES	1/100
ONE PLACE	X.X 0.4/0.10
TWO PLACES	X.XX 0.15/0.05
THREE PLACES	X.XXX 0.08/0.03
ANGLES	X.XXX 0.10/0.05
DESIGN UNITS	<input type="checkbox"/> METRIC <input checked="" type="checkbox"/> US CUSTOMARY
RAW MATERIAL—COMMERCIAL STANDARD	
MICRO SWITCH STANDARDS APPLY	
DIMENSIONS ARE TO BE MET BEFORE PROTECTIVE COATINGS ARE APPLIED	
WEIGHT 7 OZ MAX	

CHARACTERISTICS	
OPERATING FORCE	3-6 LB MAX
FULL OVERTRAVEL FORCE	7 LB MAX
RELEASE FORCE	1 LB MIN
PRETRAVEL	.040 MAX
DIFFERENTIAL TRAVEL	.020 MAX
OVERTRAVEL	.250 MIN

ELECTRICAL DATA		
CONTACT ARRANGEMENT SEE CIRCUIT DIAGRAM		
28 VDC		
LOAD	SEA LEVEL	50,000 FT.
RES	4	4
IND	2	2
MOTOR	4	