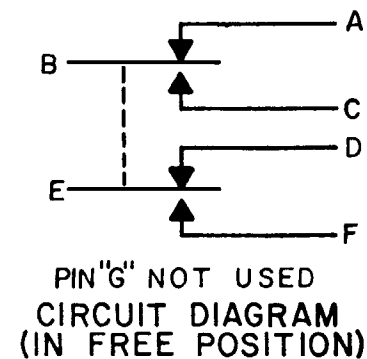
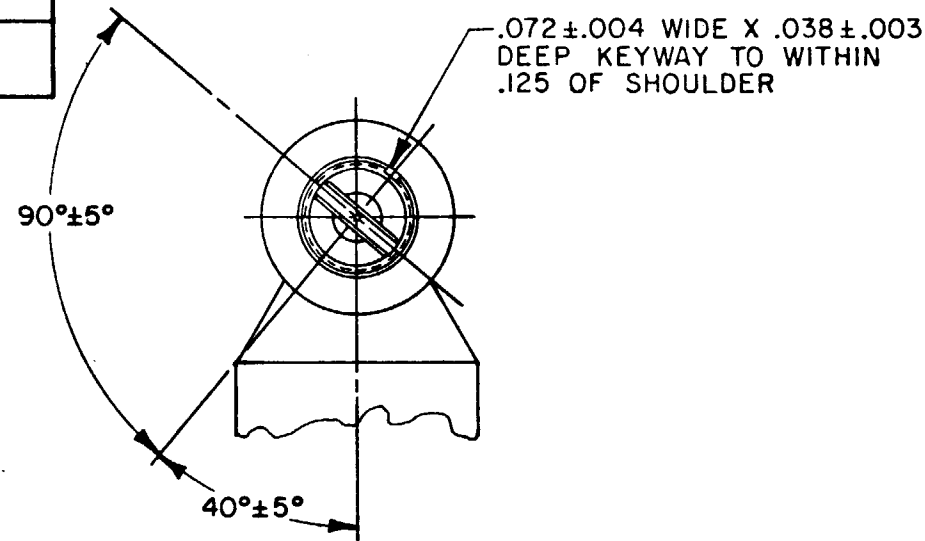


**MICRO SWITCH**  
 FREEPORT ILLINOIS U.S.A.  
 A DIVISION OF HONEYWELL  
 FED. MFG. CODE 91929

**SWITCH-ENCLOSED**

CATALOG LISTING  
**221CH4-R**



221CH4-R

M

DRAWING NUMBER

4

ISSUE

REPLACES

PR-8632

CHECK

CHECK

REVISIONS

A PR-8632  
G J W  
9 APR 80

CHECK

CHECK

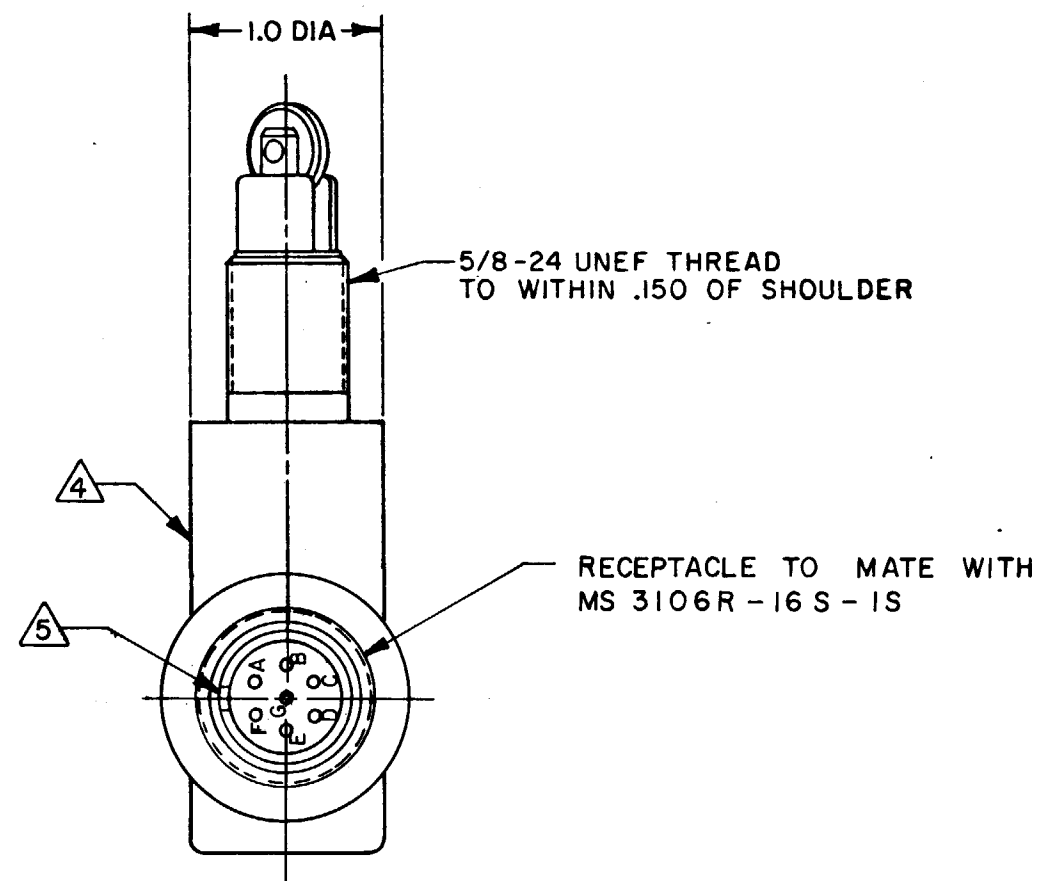
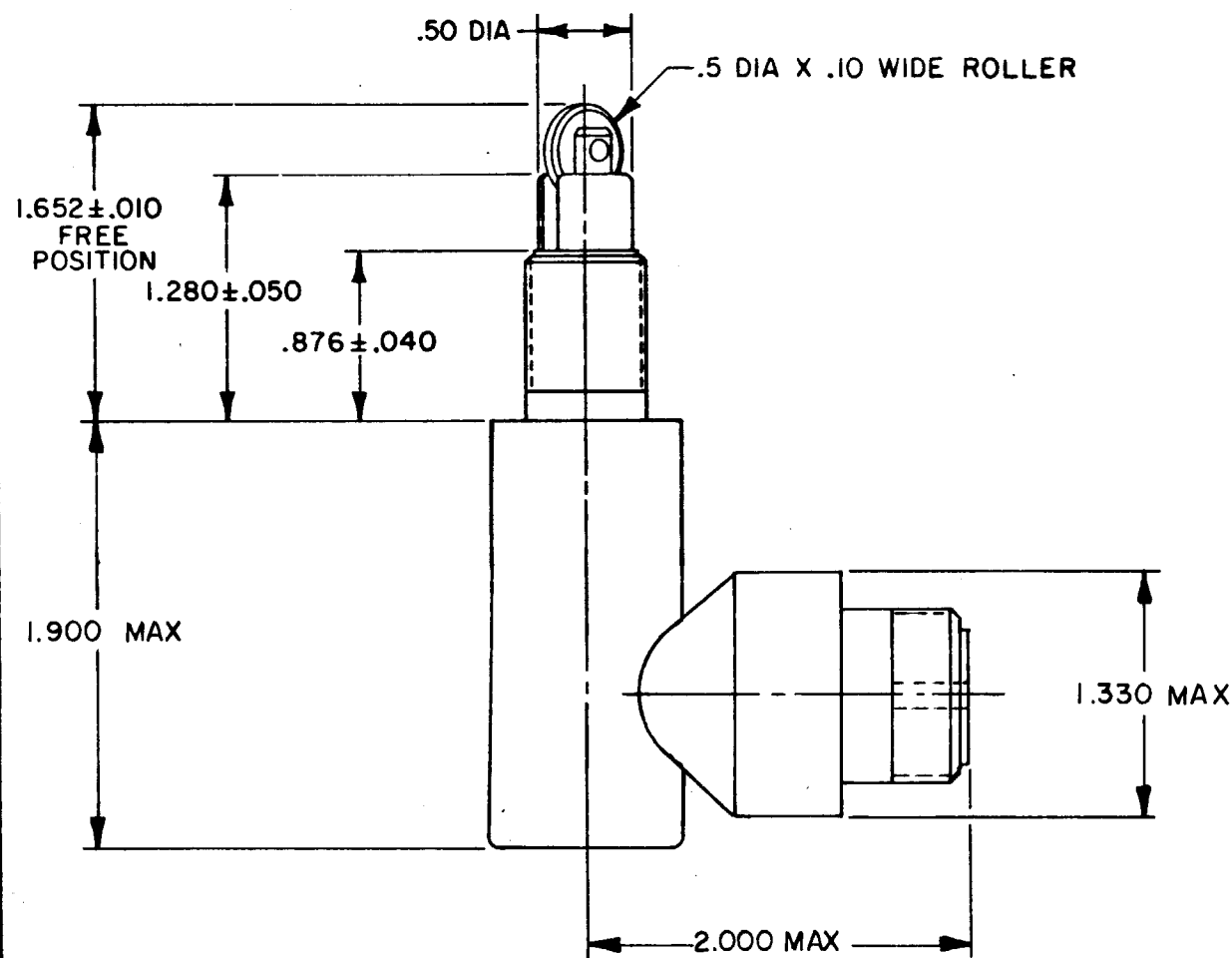
DRAWN

9 APR 80

CHECK

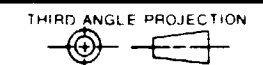
DRAWN

G J W



- NOTES**
- 1 SWITCH SEALED PER MIL-S-8805 SYMBOL 3
  - 2 ALL EXPOSED PARTS ARE CORROSION RESISTANT
  - 3 COINCIDENCE OF OPERATING AND RELEASING POINTS: .010 OF PLUNGER TRAVEL
  - 4 CATALOG LISTING, CIRCUIT DIAGRAM AND MICRO IDENTIFICATION PERMANENTLY MARKED ON SIDE OF SWITCH IN ACCORDANCE WITH DACO SPEC 7958527
  - 5 RECEPTACLE POLARIZING KEY POSITION
  - 6 ROLLER WILL ROTATE FREELY
  - 7 PLUNGER SEAL MATERIAL - VITON A

THIS DRAWING COVERS A PROPRIETARY ITEM AND IS THE PROPERTY OF MICRO SWITCH, A DIVISION OF HONEYWELL. THIS DRAWING IS NOT TO BE COPIED OR USED WITHOUT THE APPROVAL OF MICRO SWITCH.



SCALE FULL

DO NOT SCALE PRINT

TOLERANCES  
 APPLY TO DESIGN UNITS. CONVERSIONS ARE ONLY FOR REFERENCE. UNLESS NOTED, TOLERANCES ARE ±

DIM.	TOL.	DIM.	TOL.
mm	mm/in	in	mm/in
NO PLACES	X	17.04	X X
ONE PLACE	X, X	0.41/0.018	X X X
TWO PLACES	X, XX	0.157/0.008	X X X X
THREE PLACES	X, XXX	0.157/0.008	X X X X X

DESIGN UNITS  SI METRIC  US CUSTOMARY

RAW MATERIAL-COMMERCIAL STANDARD  
 MICRO SWITCH STANDARDS APPLY  
 DIMENSIONS ARE TO BE MET BEFORE  
 PROTECTIVE COATINGS ARE APPLIED

WEIGHT 7 OZ. MAX

CHARACTERISTICS	ELECTRICAL DATA
OPERATING FORCE ----- 6-10 LB	CONTACT ARRANGEMENT SEE CIRCUIT DIAGRAM
FULL OVERTRAVEL FORCE ----- 30 LB MAX	28 VDC
RELEASE FORCE ----- 4 LB MIN	LOAD
PRETRAVEL ----- .040 MAX	SEA LEVEL
DIFFERENTIAL TRAVEL ----- .020 MAX	50,000 FT.
OVERTRAVEL ----- .250 MIN	RES
	IND
	MOTOR

LOAD	SEA LEVEL	50,000 FT.
RES	4	4
IND	2	2
MOTOR	4	

FO-52851-A